

6

5

4

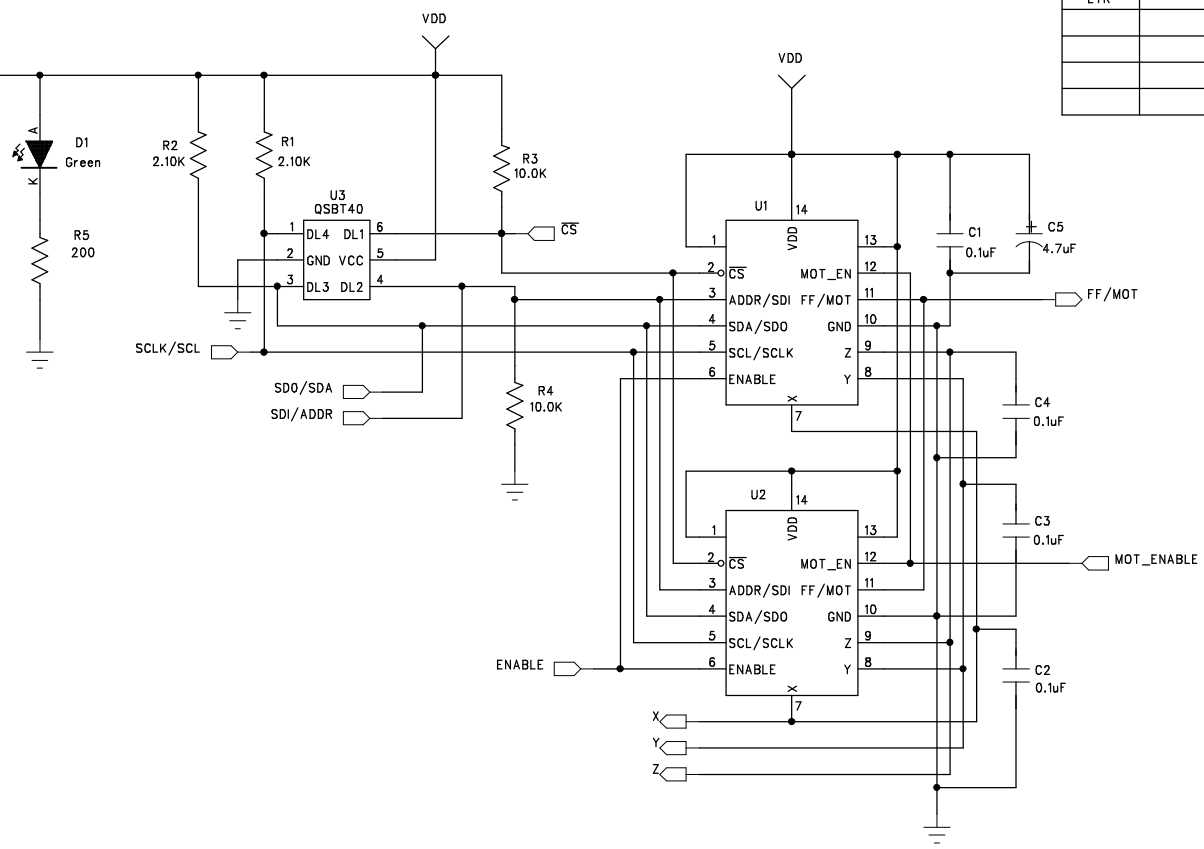
3

2

1

REVISION RECORD			
LTR	ECO NO:	APPROVED:	DATE:

- J1-1  CS
- J1-2  MOT\_ENABLE
- J1-3  ENABLE
- J1-4  SCLK/SCL
- J1-5  SDO/SDA
- J1-6  SDO/SDA
- J1-7  SDI/ADDR
- J1-8  FF/MOT
- J1-9  X
- J1-10  Y
- J1-11  Z



COMPANY: Kionix, Inc.

TITLE: KX\_S5 Evaluation Board Rev 1

DRAWN: Bob Ross	DATED: 8/13/08
CHECKED:	DATED:
QUALITY CONTROL:	DATED:
RELEASED:	DATED:

CODE:	SIZE: B	DRAWING NO: KAMMDM001R34	REV: 0
SCALE:			SHEET: 1 OF 1

D

D

C

C

B

B

A

A