

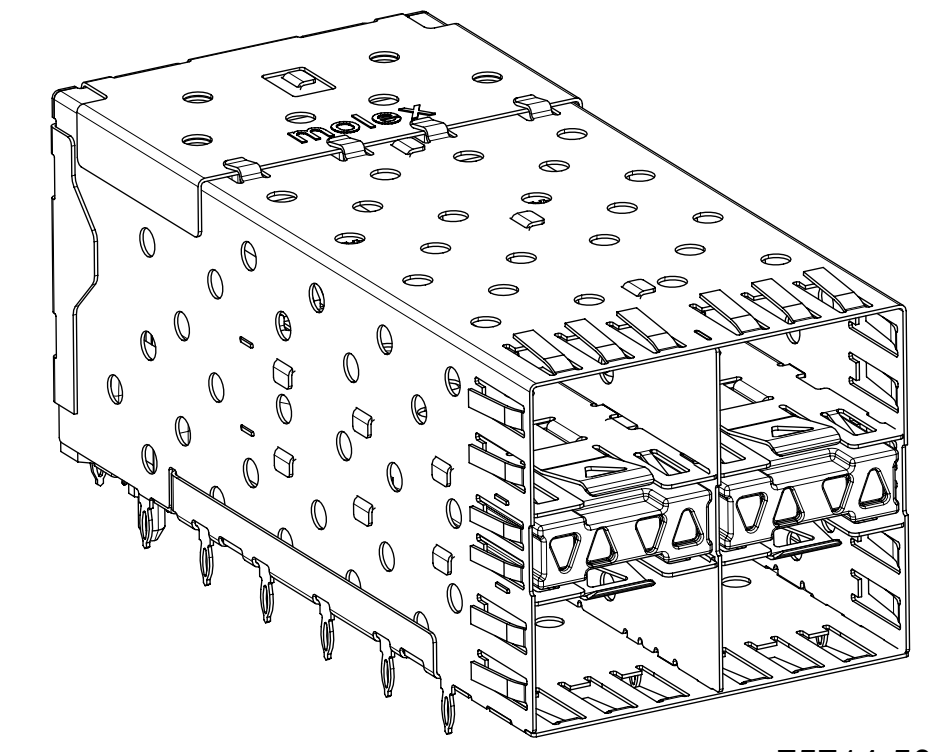
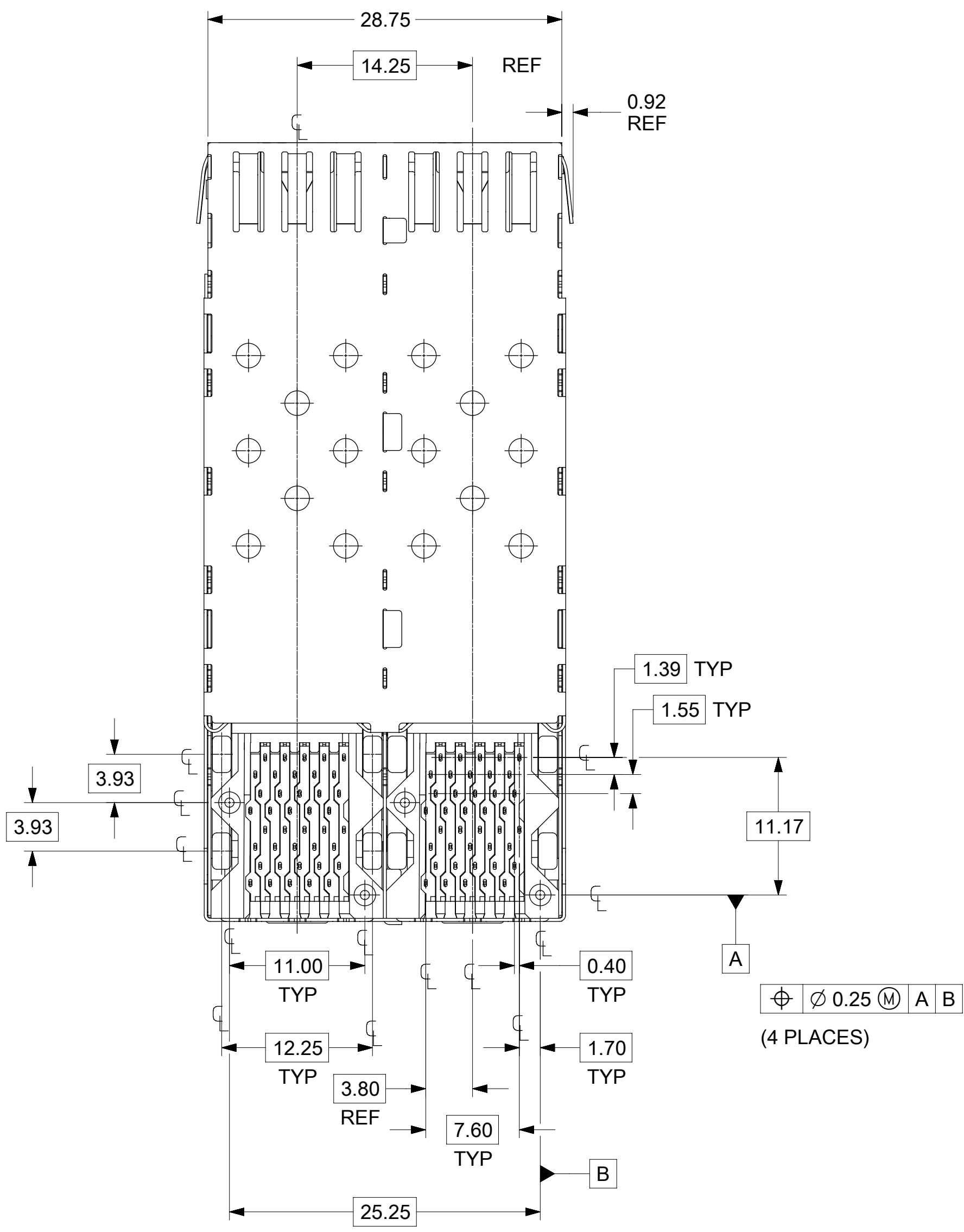
NOTES

- MATERIAL:**
 CAGE: NICKEL SILVER, THICKNESS: 0.25mm
 CONNECTOR HOUSING: GLASS FILLED HIGH TEMP PLASTIC, 94 V-0, COLOR BLACK
 OVERMOLDED TERMINALS HOUSING: GLASS FILLED HIGH TEMP PLASTIC, 94 V-0, COLOR: BLACK
 TERMINALS: TIN BRASS
 LIGHT PIPES: POLYCARBONITE, 94 V-0, COLOR: CLEAR
 LIGHT PIPE HOUSING: ZINC
- FINISH:**
 LIGHT PIPE HOUSING: 150 MICROMETERS NICKEL OVER 150 MICROMETERS COPPER
 TERMINAL: CONTACT AREA: 0.76 MICROMETERS MINIMUM, HARD GOLD OVER 1.27 MICROMETERS MINIMUM NICKEL.
 COMPLIANT TAIL - TIN/LEAD OPTION: 0.76 - 1.52 MICROMETERS 90/10 TIN/LEAD OVER 0.76 - 1.52 MICROMETERS NICKEL
 COMPLIANT TAIL - TIN OPTION: 0.76 - 1.52 MICROMETERS TIN OVER 0.76 - 1.52 MICROMETERS NICKEL
- REFER TO PS-75310-001 PRODUCT SPEC FOR ALL ELECTRICAL, MECHANICAL, AND ENVIRONMENTAL SPECIFICATIONS.
- LIGHT PIPE PAD LAYOUT IS FOR 0805 LOW-PORFILE LED PACKAGE, FOR OTHER RECOMMENDED LAYOUTS REFER TO MOLEX'S REPORT TS-75310-001.
- REFER TO PK-75714-001 FOR ALL PACKAGING SPECIFICATIONS.
- THE CURVED TAILS THAT GO INTO THE HOLES LOCATED BY THESE DIMENSIONS ARE BEING ELIMINATED. TO ACCOMMODATE THIS CONVERSION, IT IS RECOMMENDED THAT BOARDS DESIGNED TO THIS PRINT REVISION INCLUDE THESE HOLES.
- PART COMPLIES WITH COSMETIC SPECIFICATION PS-45499-002. SEE SHEET 4 SECTION A-A FOR SURFACE CLASSIFICATIONS. UNDERSIDE OF CAGE COMPLIES WITH CLASS "C".

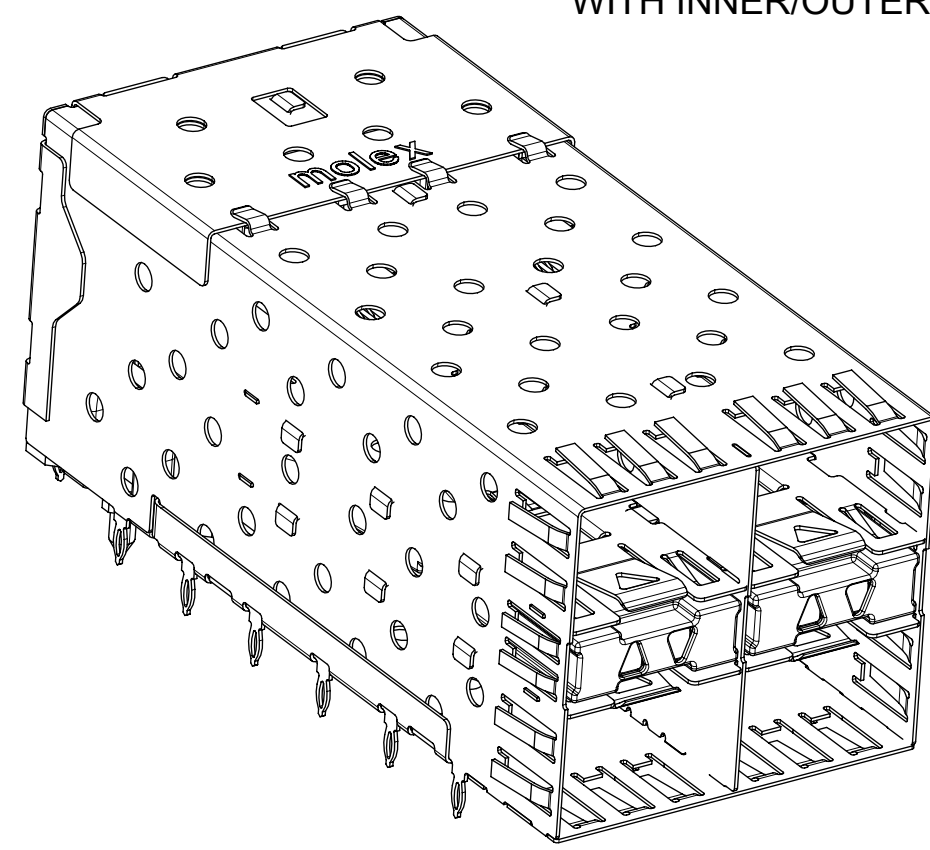
PART NUMBER	DESCRIPTION	VIEW	COMPLIANT TAIL PLATING
75714-5001	4 PORT LIGHT PIPE	SEE PG 2	TIN
75714-5002	INNER 2 PORTS	SEE PG 2	TIN

THIS DRAWING CONTAINS INFORMATION THAT IS PROPRIETARY TO MOLEX ELECTRONIC TECHNOLOGIES, LLC AND SHOULD NOT BE USED WITHOUT WRITTEN PERMISSION

DIMENSION UNITS	SCALE	CURRENT REV DESC: MIGRATED TO NX		molex		
mm	3:1					
GENERAL TOLERANCES (UNLESS SPECIFIED)		EC NO: 648356		STACKED SFP 2X2 MEDIUM HEIGHT ASSY, PRESS-FIT TAILS WITH LIGHT PIPES		
ANGULAR TOL	± 5.0°	DRWN: SKRISHNAMURT 2018/10/09		PRODUCT CUSTOMER DRAWING		
4 PLACES	±	CHK'D: GGA 2021/01/08		DOCUMENT NUMBER		
3 PLACES	±	APPR: GGA 2021/01/08		SD-75714-001		
2 PLACES	± 0.13	INITIAL REVISION:		DOC TYPE DOC PART REVISION		
1 PLACE	± 0.25	DRWN: JLONG 2004/12/01		PSD 001 E1		
0 PLACES	±	APPR: RNELSON 2004/12/02		MATERIAL NUMBER CUSTOMER		
DRAFT WHERE APPLICABLE MUST REMAIN WITHIN DIMENSIONS		THIRD ANGLE PROJECTION	DRAWING	SERIES	SHEET NUMBER	
			C-SIZE	75714	SEE TABLE	1 OF 4

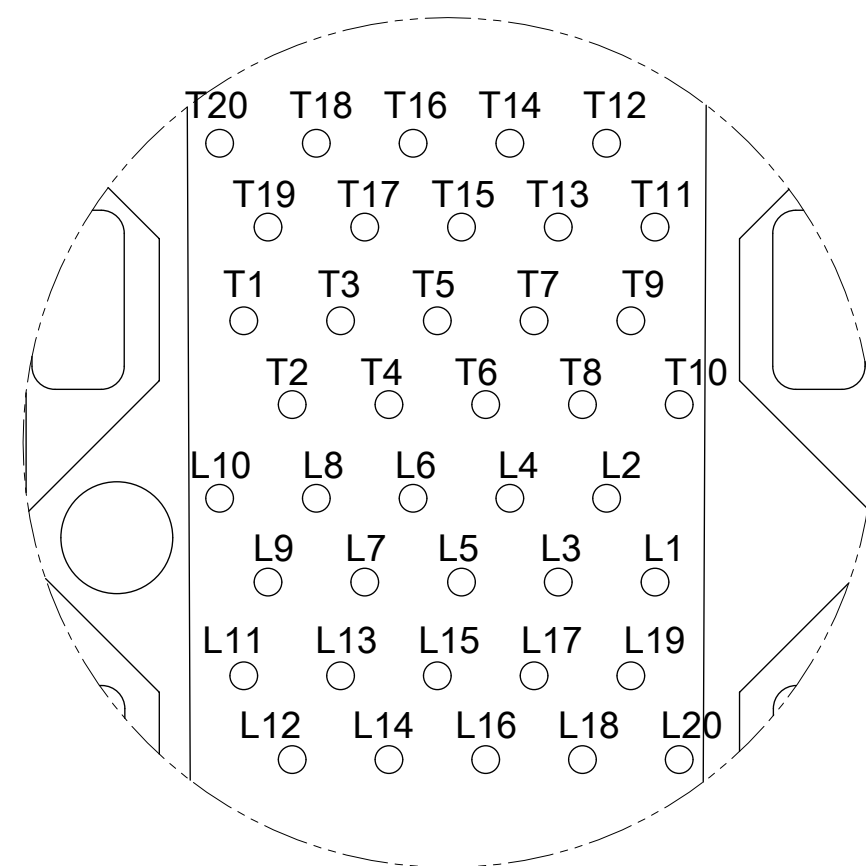


75714-5001
WITH INNER/OUTER LIGHT PIPES

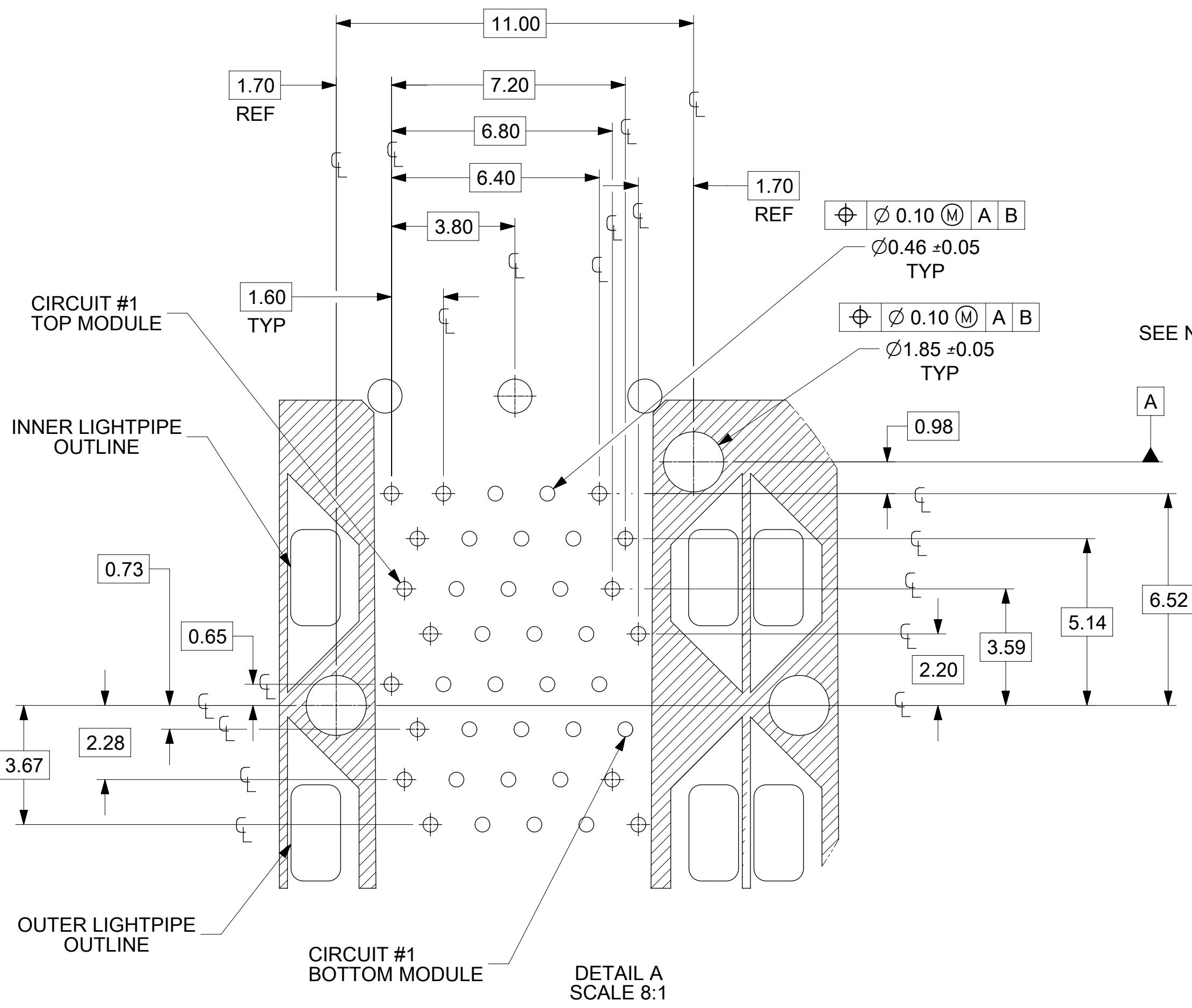


75714-5002
WITH INNER LIGHT PIPES

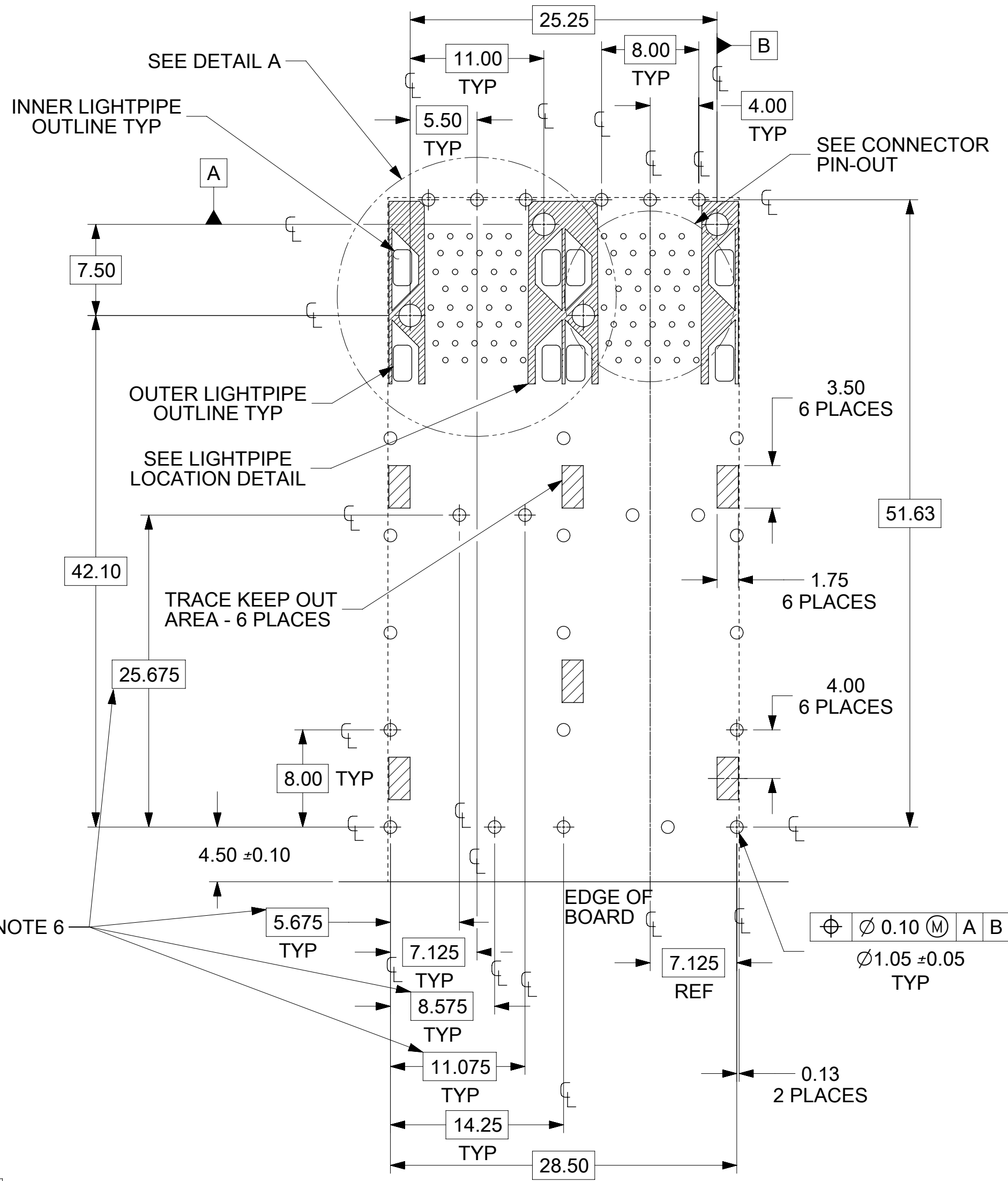
THIS DRAWING CONTAINS INFORMATION THAT IS PROPRIETARY TO MOLEX ELECTRONIC TECHNOLOGIES, LLC AND SHOULD NOT BE USED WITHOUT WRITTEN PERMISSION									
DIMENSION UNITS		SCALE		CURRENT REV DESC: MIGRATED TO NX					
mm		3:1							
GENERAL TOLERANCES (UNLESS SPECIFIED)				EC NO: 648356				STACKED SFP 2X2 MEDIUM HEIGHT ASSY, PRESS-FIT TAILS WITH LIGHT PIPES	
ANGULAR TOL ± 5.0°				DRWN: SKRISHNAMURT 2018/10/09					
4 PLACES ±				CHK'D: GGA 2021/01/08				PRODUCT CUSTOMER DRAWING	
3 PLACES ±				APPR: GGA 2021/01/08					
2 PLACES ± 0.13				INITIAL REVISION:				DOCUMENT NUMBER	
1 PLACE ± 0.25				DRWN: JLONG 2004/12/01					
0 PLACES ±				APPR: RNELSON 2004/12/02				SD-75714-001	
DRAFT WHERE APPLICABLE MUST REMAIN WITHIN DIMENSIONS		THIRD ANGLE PROJECTION		DRAWING		SERIES		MATERIAL NUMBER	
				C-SIZE		75714		SEE TABLE	
DOCUMENT STATUS		RELEASE DATE		CUSTOMER		SHEET NUMBER		DOC TYPE DOC PART REVISION	
P1		2021/01/08 14:15:10		GENERAL MARKET		1		PSD 001 E1	



DETAIL B
CONNECTOR PIN-OUT
COMPONENT SIDE OF BOARD
SCALE 8:1

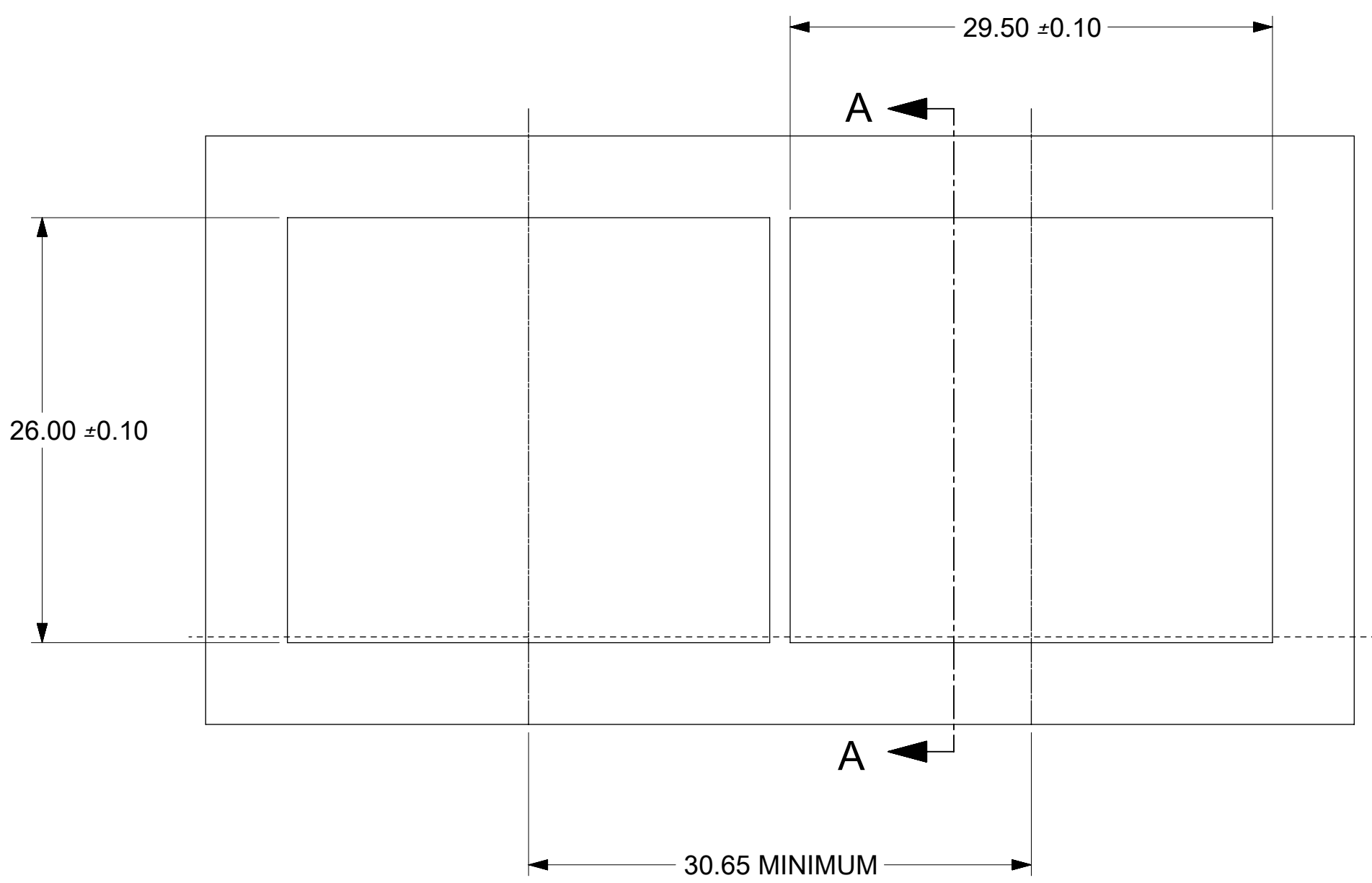


DETAIL A
SCALE 8:1

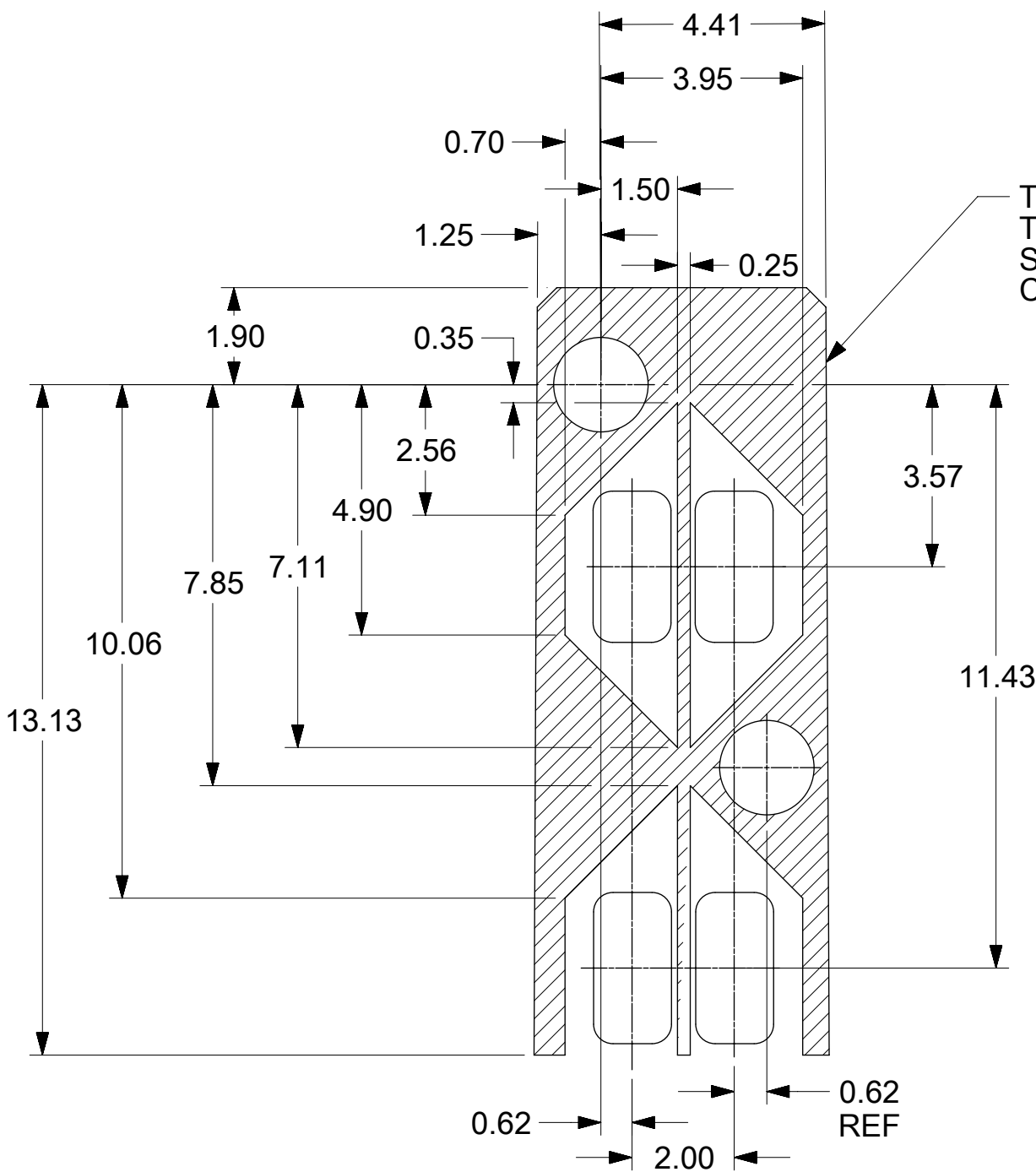
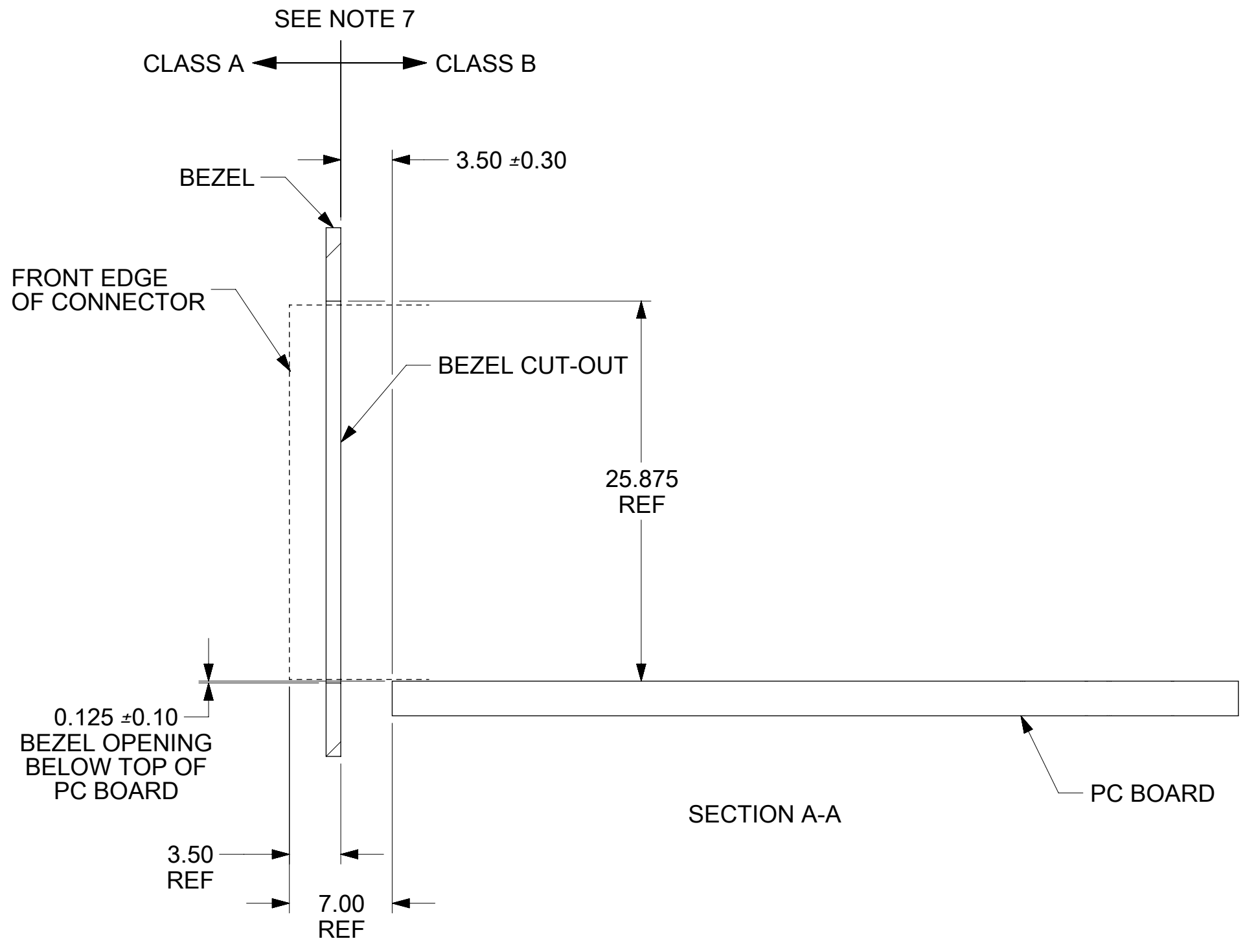


RECOMMENDED PCB LAYOUT - COMPONENT SIDE
RECOMMENDED PCB THICKNESS - 2.36 MM (.093 INCH)
THE ENTIRE AREA OF THE CONNECTOR FOOTPRINT
TO BE CONSIDERED THE KEEP OUT AREA FOR COMPONENTS
(OTHER THAN LIGHT PIPE LED'S)
THIS AREA IS INDICATED BY THE DASHED LINE

THIS DRAWING CONTAINS INFORMATION THAT IS PROPRIETARY TO MOLEX ELECTRONIC TECHNOLOGIES, LLC AND SHOULD NOT BE USED WITHOUT WRITTEN PERMISSION			
DIMENSION UNITS	SCALE	CURRENT REV DESC: MIGRATED TO NX	
mm	3:1		
GENERAL TOLERANCES (UNLESS SPECIFIED)			
ANGULAR TOL	± 5.0°	EC NO: 648356	
4 PLACES	±	DRWN: SKRISHNAMURT	2018/10/09
3 PLACES	±	CHK'D: GGA	2021/01/08
2 PLACES	± 0.13	APPR: GGA	2021/01/08
1 PLACE	± 0.25	INITIAL REVISION:	
0 PLACES	±	DRWN: JLONG	2004/12/01
		APPR: RNELSON	2004/12/02
DRAFT WHERE APPLICABLE MUST REMAIN WITHIN DIMENSIONS		THIRD ANGLE PROJECTION	DRAWING SERIES
			C-SIZE 75714
DOCUMENT STATUS		P1	RELEASE DATE
2021/01/08		14:15:10	
MATERIAL NUMBER		CUSTOMER	SHEET NUMBER
SD-75714-001		GENERAL MARKET	3 OF 4
DOC TYPE		DOC PART	REVISION
PSD		001	E1



BEZEL CUT-OUT CENTER SPACING DETAIL
BEZEL THICKNESS: 0.8 -2.6



DETAIL - LIGHT PIPE LOCATION AND OTHER ZONES
SCALE 8:1

THIS DRAWING CONTAINS INFORMATION THAT IS PROPRIETARY TO MOLEX ELECTRONIC TECHNOLOGIES, LLC AND SHOULD NOT BE USED WITHOUT WRITTEN PERMISSION									
DIMENSION UNITS		SCALE		CURRENT REV DESC: MIGRATED TO NX				molex	
mm		3:1							
GENERAL TOLERANCES (UNLESS SPECIFIED)				EC NO: 648356				STACKED SFP 2X2 MEDIUM	
ANGULAR TOL ± 5.0°				DRWN: SKRISHNAMURT 2018/10/09				HEIGHT ASSY, PRESS-FIT TAILS WITH LIGHT PIPES	
4 PLACES ±				CHK'D: GGA 2021/01/08				PRODUCT CUSTOMER DRAWING	
3 PLACES ±				APPR: GGA 2021/01/08				DOCUMENT NUMBER	
2 PLACES ± 0.13				INITIAL REVISION:				SD-75714-001	
1 PLACE ± 0.25				DRWN: JLONG 2004/12/01				DOC TYPE DOC PART REVISION	
0 PLACES ±				APPR: RNELSON 2004/12/02				PSD 001 E1	
DRAFT WHERE APPLICABLE MUST REMAIN WITHIN DIMENSIONS		THIRD ANGLE PROJECTION		DRAWING		SERIES		MATERIAL NUMBER	
		C-SIZE		75714		SEE TABLE		CUSTOMER	
						GENERAL MARKET		SHEET NUMBER	
						4 OF 4			

DOCUMENT STATUS	P1	RELEASE DATE	2021/01/08 14:15:10
-----------------	----	--------------	---------------------