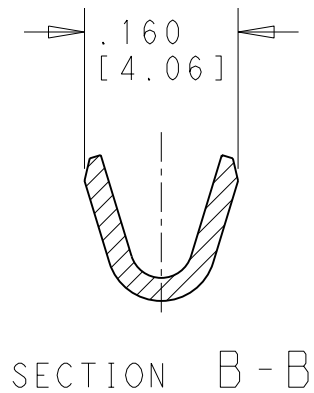
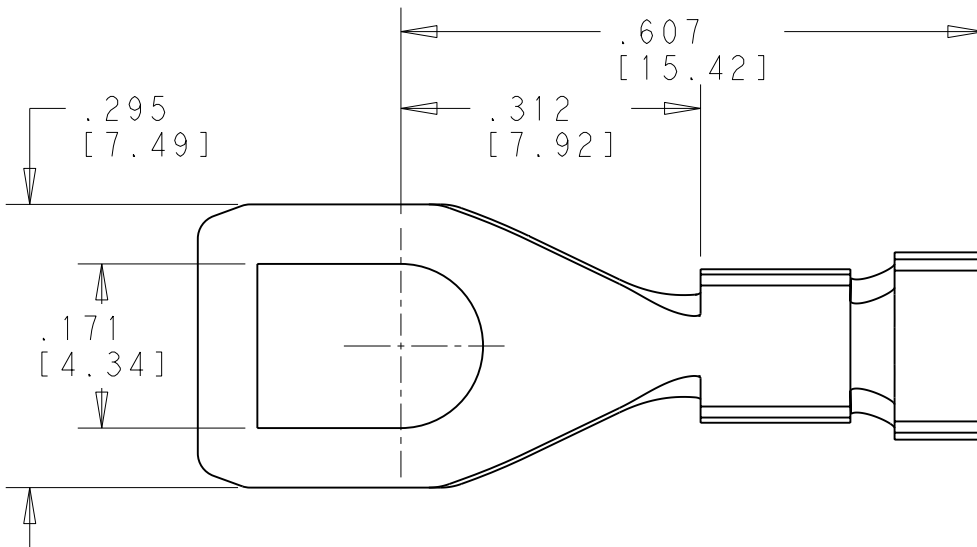
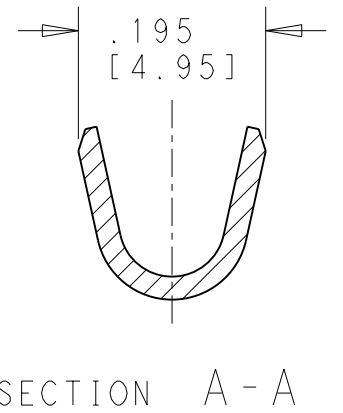
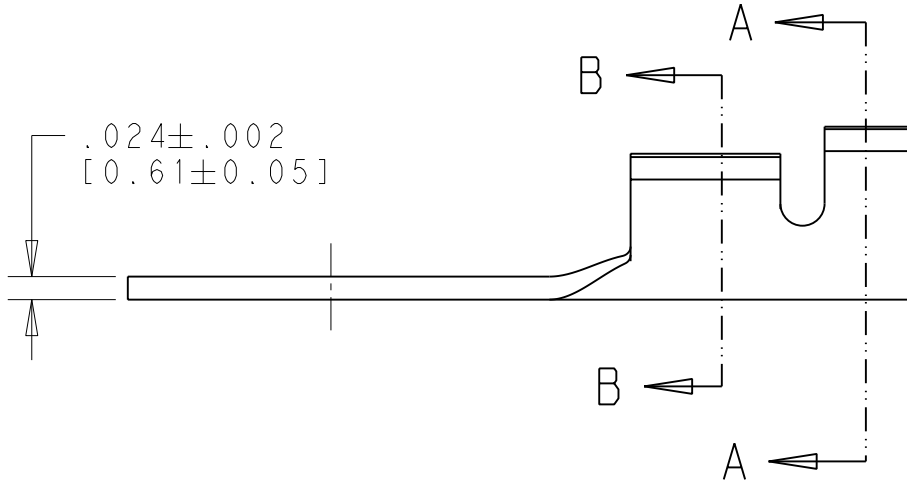


LOC	DIST	REVISIONS					
IR	-	P	LTR	DESCRIPTION	DATE	DWN	APVD
			C1	REDRAWN IN CAD	11MAY2011	PKS	RRP

WIRE RANGE	18-14 AWG
INSUL. RANGE	∅.098-∅.137



TIN PLATED	BRASS	140791-2
NONE	BRASS	140791-1
FINISH	MATERIAL	P/N

1973

RELEASED FOR PUBLICATION

ALL RIGHTS RESERVED.

1973

© COPYRIGHT 2011

THIS DRAWING IS UNPUBLISHED.

DIMENSIONS: INCHES	DWN SENTHIL	09MAY2011	MATERIAL	SEE TABLE	FINISH	SEE TABLE
	CHK M.GREENER	10MAY2011	TE Connectivity			
TOLERANCES UNLESS OTHERWISE SPECIFIED:	APVD RAJENDRA	12MAY2011				
	0 PLC ±-	PRODUCT SPEC	SIZE	CAGE CODE	DRAWING NO	RESTRICTED TO
1 PLC ±-	APPLICATION SPEC	WEIGHT	A4	00779	©-140791	-
2 PLC ±-			CUSTOMER DRAWING			
3 PLC ±.010			SCALE	5:1	SHEET	1 OF 1
4 PLC ±-			REV C1			
ANGLES ±1°						