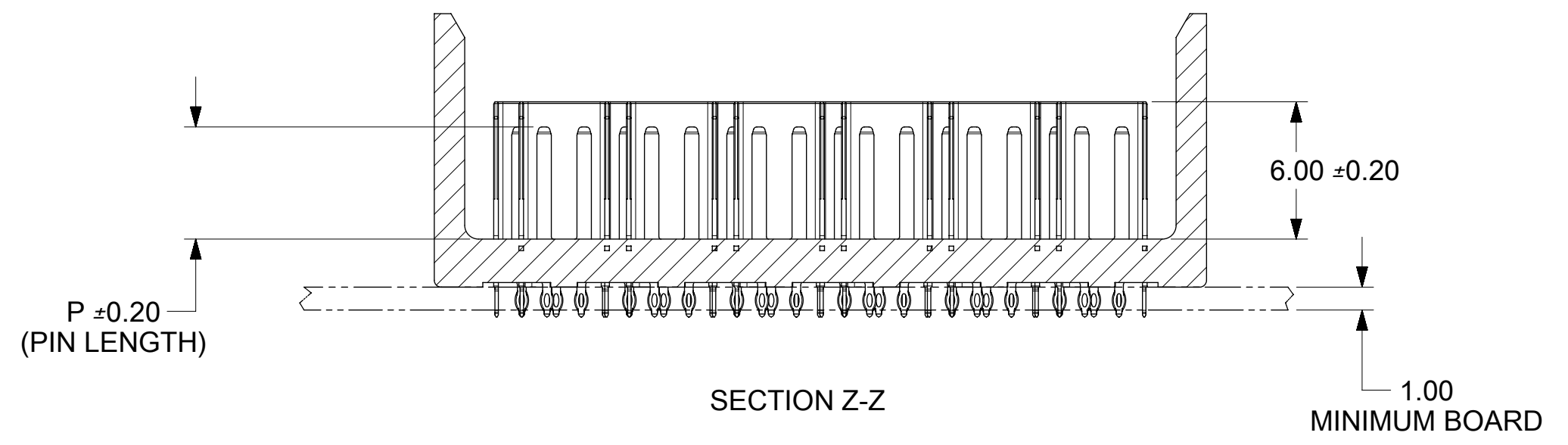
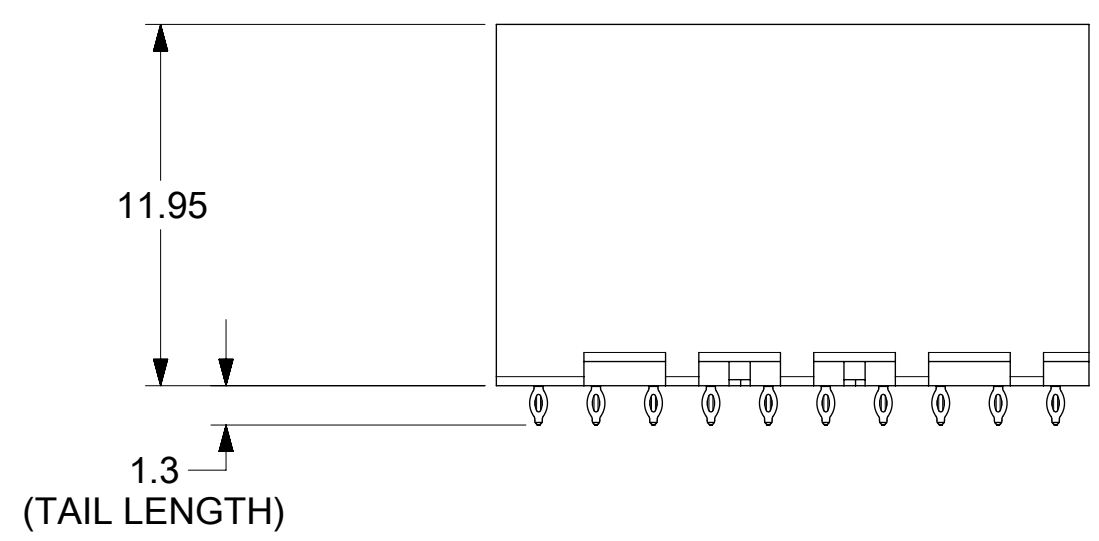


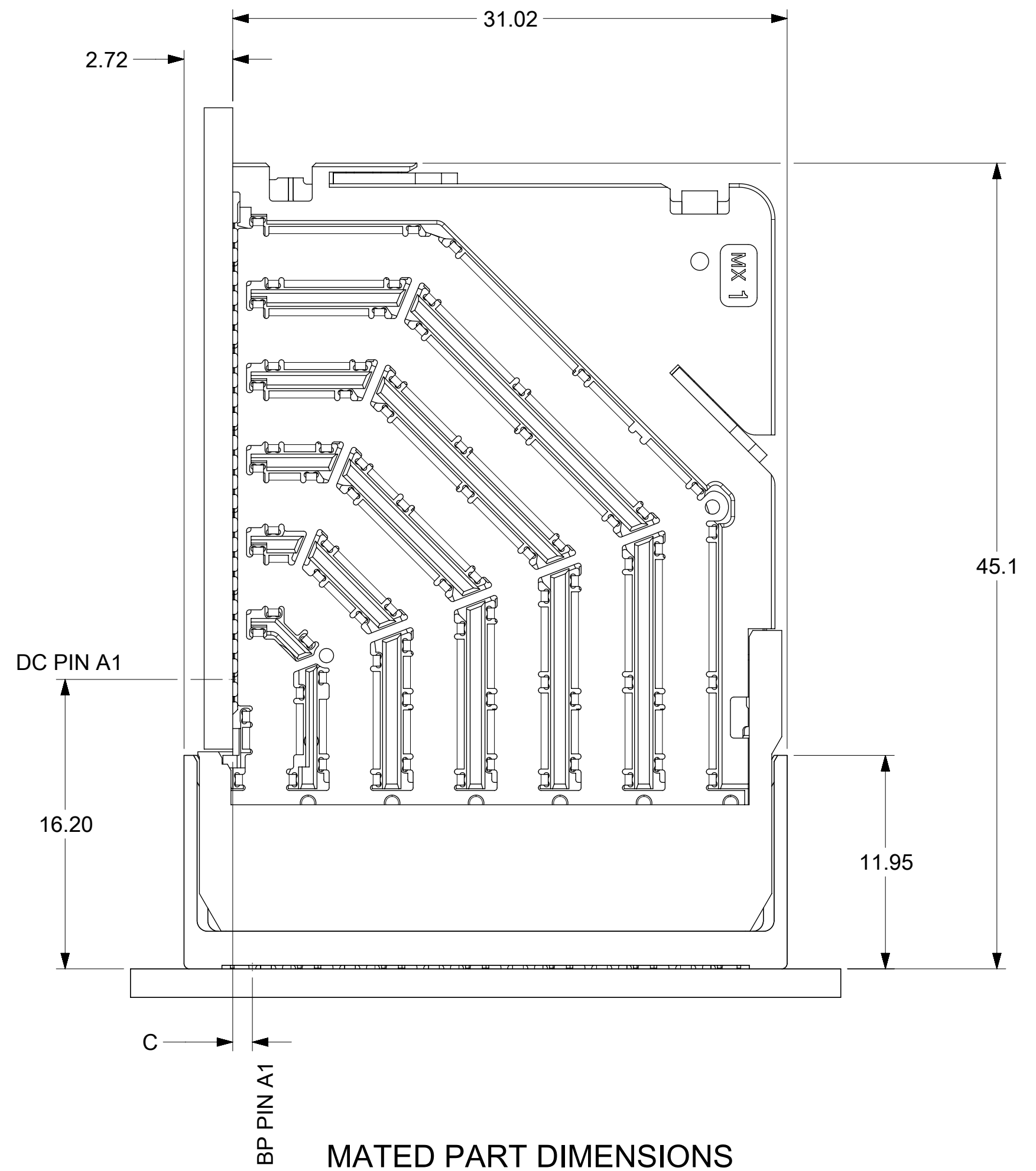
- NOTES:
1. MATERIALS: HOUSING - LIQUID CRYSTAL POLYMER (LCP)
GLASS-FILLED, UL94V-0
TERMINALS - HIGH PERFORMANCE COPPER ALLOY
 2. FINISH: 30uIN GOLD IN CONTACT AREA.
SELECTIVE TIN ON PCB TAILS.
NICKEL OVERALL.
 3. REFER TO MOLEX PRODUCT SPECIFICATION PS-171320-999 FOR PERFORMANCE SPECIFICATIONS.
 4. THIS PART CONFORMS TO CLASS B REQUIREMENTS OF MOLEX COSMETIC SPEC PS-45499-002.
 5. PRODUCT WILL BE PACKAGED PER PK-78888-087.
 6. SEE SHEETS 2, 3, AND 4 FOR HOLE PATTERN AND MATED PART DIMENSIONS.
 7. MATES WITH IMPEL DC SERIES NUMBER 171400 OR IMPEL PLUS MEZZ SERIES NUMBER 205590.
 8. REFER TO IMPEL PCB ROUTING GUIDE AS-171320-990 FOR ANTIPAD, ROUTING RECOMMENDATIONS, AND ADDITIONAL PCB INFORMATION.
 9. WHEN STACKING MODULES END TO END, THE MINIMUM COLUMN TO COLUMN SPACING IS 2.65mm.
 10. THE KEEP-OUT ZONE FOR THE BP HOUSING LENGTH INCLUDES THE NECESSARY SPACE REQUIRED FOR THE MATING DAUGHTERCARD HOUSING.



THIS DRAWING CONTAINS INFORMATION THAT IS PROPRIETARY TO MOLEX ELECTRONIC TECHNOLOGIES, LLC AND SHOULD NOT BE USED WITHOUT WRITTEN PERMISSION									
DIMENSION UNITS	SCALE	CURRENT REV DESC: CORRECT TYPO ERROR							
MM	4:1								
GENERAL TOLERANCES (UNLESS SPECIFIED)		EC NO: 609492			IMPEL 6 PAIR BACKPLANE UNGUIDED ASSEMBLY SALES DRAWING PRODUCT CUSTOMER DRAWING				
ANGULAR TOL	± 0.5°	DRWN: JLTAN06 2018/12/21							
4 PLACES	±	CHK'D: YLLIM 2018/12/21			DOCUMENT NUMBER: SD-171395-0001 DOC TYPE: PSD DOC PART: 001 REVISION: B5				
3 PLACES	±	APPR: DWLEE01 2019/01/02							
2 PLACES	± 0.13	INITIAL REVISION:			MATERIAL NUMBER: SEE CHART CUSTOMER: GENERAL MARKET SHEET NUMBER: 1 OF 4				
1 PLACE	± 0.25	DRWN: JLAURX 2012/01/13							
0 PLACES	±	APPR: JLAURX 2012/11/27			DRAFT WHERE APPLICABLE MUST REMAIN WITHIN DIMENSIONS THIRD ANGLE PROJECTION DRAWING: C-SIZE SERIES: 171395				
		THIRD ANGLE PROJECTION 							

DOCUMENT STATUS	P1	RELEASE DATE	2019/01/02	18:03:43
-----------------	----	--------------	------------	----------

MATERIAL NUMBER	NUMBER OF COLUMNS	NUMBER OF DIFF PAIR	DIM "A"	DIM "B"	DIM "C"	DIM "P"	PTH ϕ
171395-1804	8	48	15.80	13.30	1.10	4.90	0.46 \pm 0.05
171395-1805	8	48	15.80	13.30	1.10	5.50	0.46 \pm 0.05
171395-1807	8	48	15.80	13.30	1.20	4.90	0.36 \pm 0.05
171395-1808	8	48	15.80	13.30	1.20	5.50	0.36 \pm 0.05
171395-1104	10	60	19.60	17.10	1.10	4.90	0.46 \pm 0.05
171395-1105	10	60	19.60	17.10	1.10	5.50	0.46 \pm 0.05
171395-1107	10	60	19.60	17.10	1.20	4.90	0.36 \pm 0.05
171395-1108	10	60	19.60	17.10	1.20	5.50	0.36 \pm 0.05
171395-1204	12	72	23.40	20.90	1.10	4.90	0.46 \pm 0.05
171395-1205	12	72	23.40	20.90	1.10	5.50	0.46 \pm 0.05
171395-1207	12	72	23.40	20.90	1.20	4.90	0.36 \pm 0.05
171395-1208	12	72	23.40	20.90	1.20	5.50	0.36 \pm 0.05
171395-1604	16	96	31.00	28.50	1.10	4.90	0.46 \pm 0.05
171395-1605	16	96	31.00	28.50	1.10	5.50	0.46 \pm 0.05
171395-1607	16	96	31.00	28.50	1.20	4.90	0.36 \pm 0.05
171395-1608	16	96	31.00	28.50	1.20	5.50	0.36 \pm 0.05



171395-1*0*

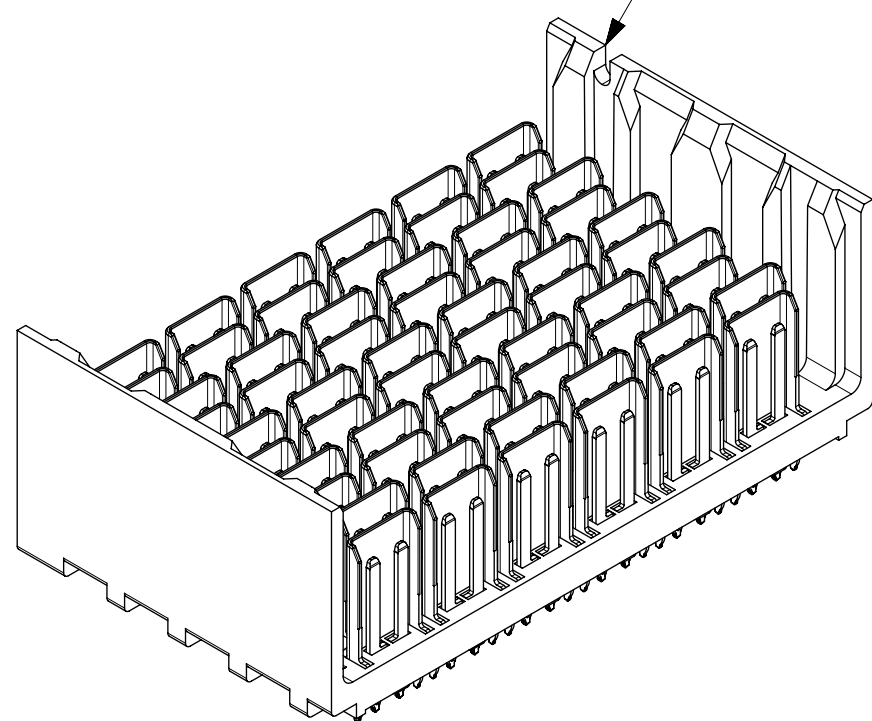
MODULE TYPE
1 = UNGUIDED

OF COLUMNS
8 = 8 COL
1 = 10 COL
2 = 12 COL
6 = 16 COL

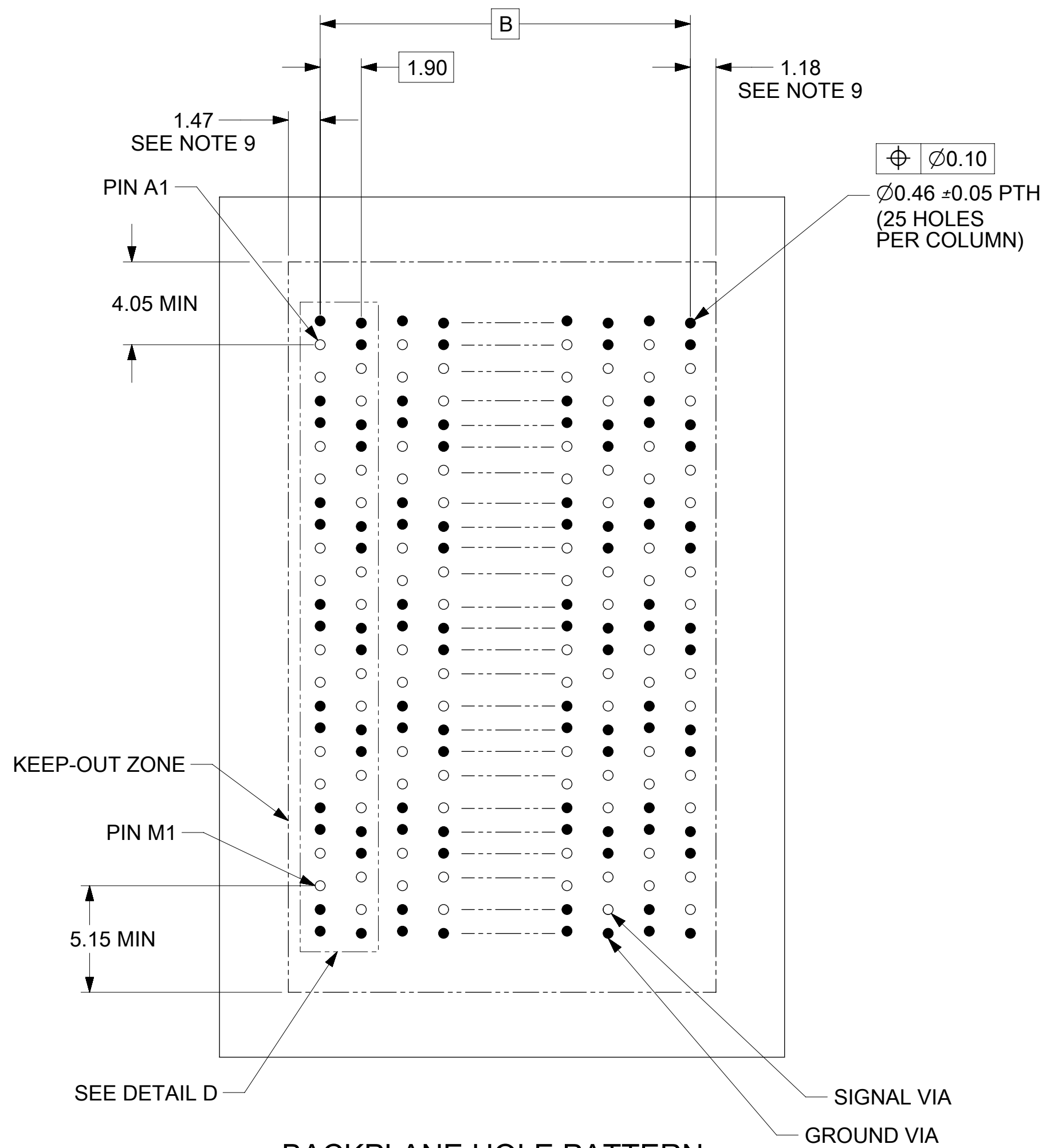
PIN LENGTH (P)
4 = 4.90 (0.46 PTH)
5 = 5.50 (0.46 PTH)
7 = 4.90 (0.36 PTH)
8 = 5.50 (0.36 PTH)

KEY ORIENTATION
0 = OPEN ENDS

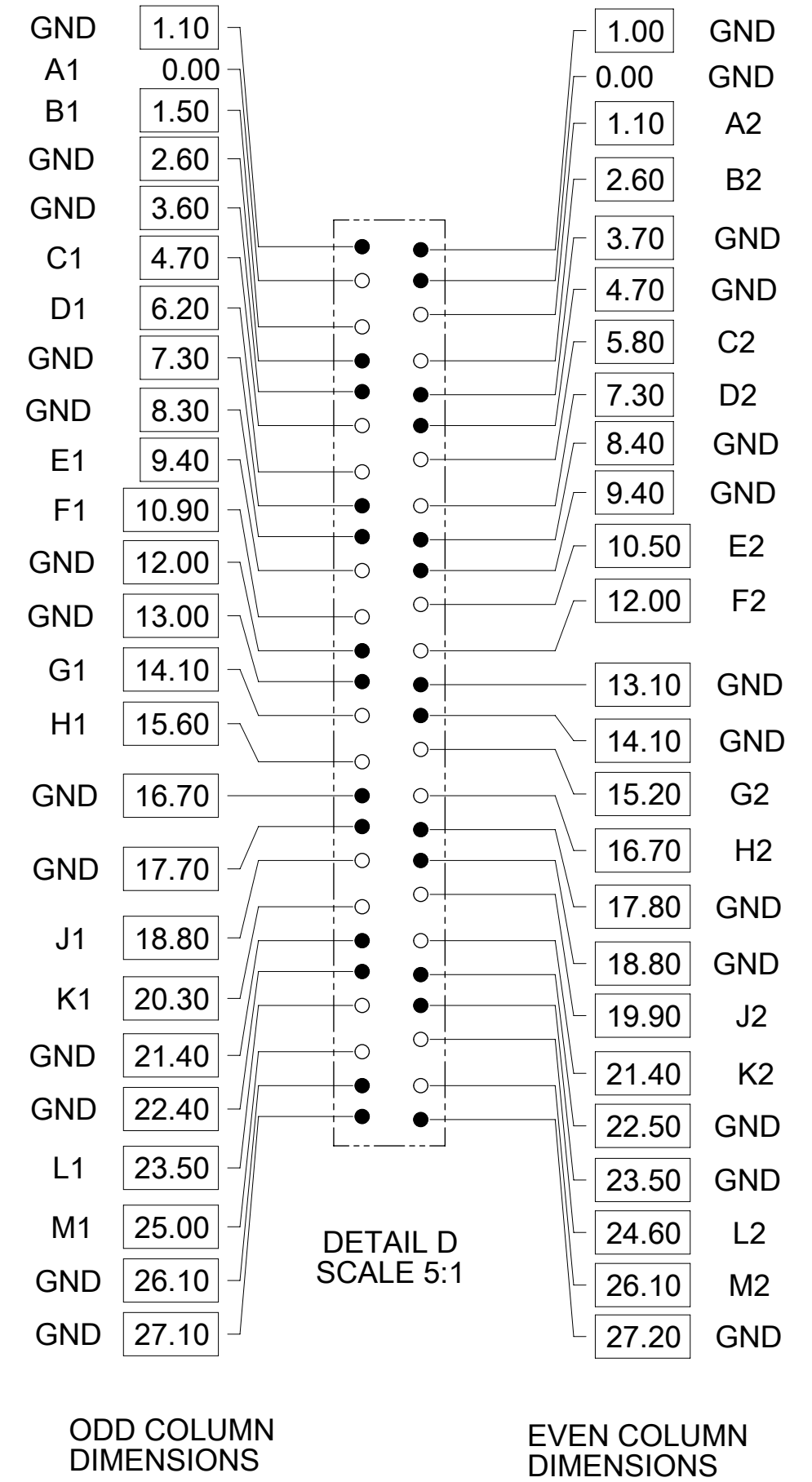
NOTCH DESIGNATES
ROW A



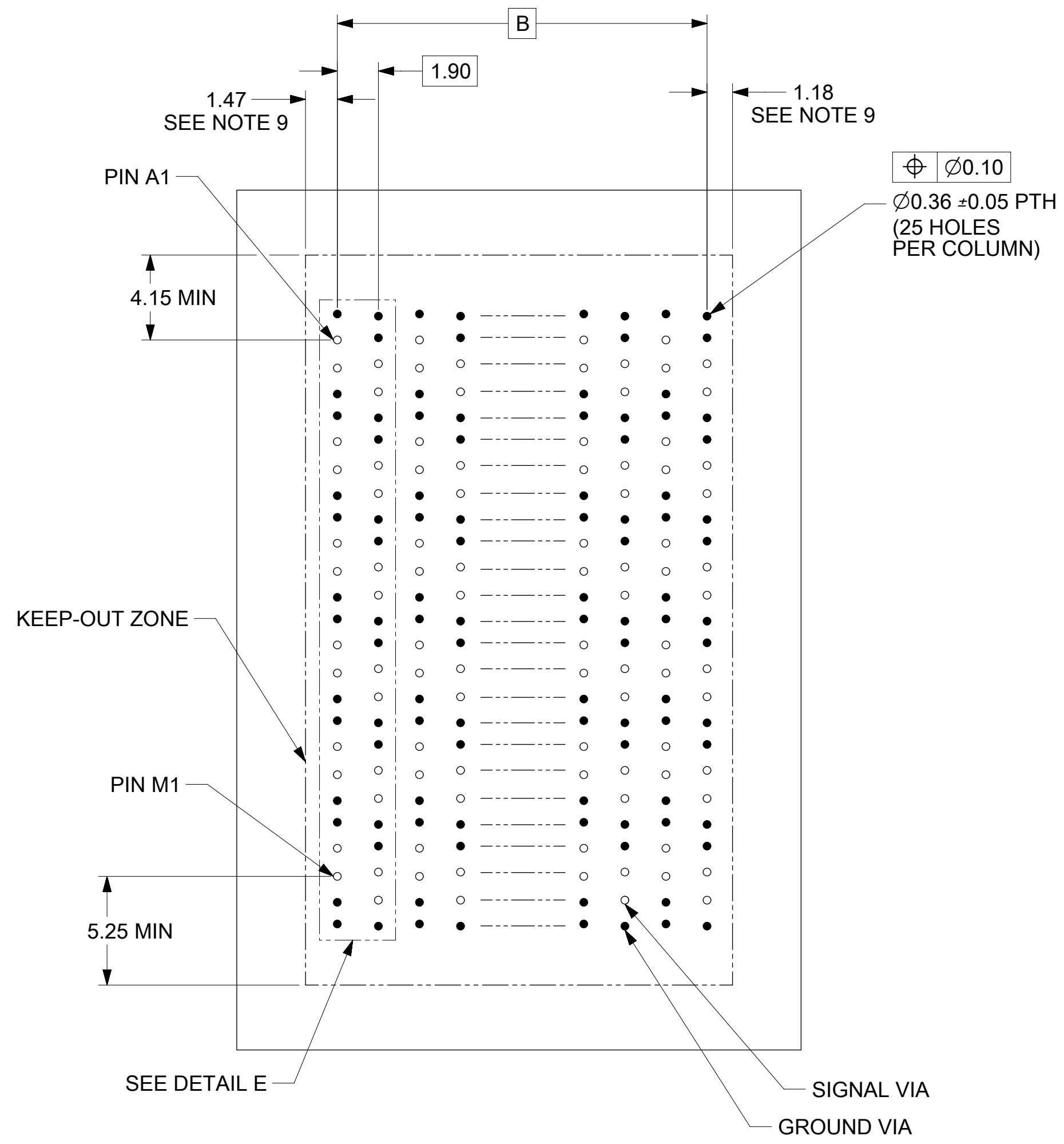
THIS DRAWING CONTAINS INFORMATION THAT IS PROPRIETARY TO MOLEX ELECTRONIC TECHNOLOGIES, LLC AND SHOULD NOT BE USED WITHOUT WRITTEN PERMISSION									
DIMENSION UNITS	SCALE	CURRENT REV DESC: CORRECT TYPO ERROR							
MM	4:1	<p>IMPEL 6 PAIR BACKPLANE UNGUIDED ASSEMBLY SALES DRAWING</p>							
GENERAL TOLERANCES (UNLESS SPECIFIED)									
ANGULAR TOL	\pm 0.5°	<p>EC NO: 609492</p> <p>DRWN: JLTAN06 2018/12/21</p> <p>CHK'D: YLLIM 2018/12/21</p> <p>APPR: DWLEE01 2019/01/02</p>							
4 PLACES	\pm	<p>PRODUCT CUSTOMER DRAWING</p>							
3 PLACES	\pm	<p>INITIAL REVISION:</p>							
2 PLACES	\pm 0.13	<p>DRWN: JLAURX 2012/01/13</p> <p>APPR: JLAURX 2012/11/27</p>							
1 PLACE	\pm 0.25	<p>DOCUMENT NUMBER: SD-171395-0001</p> <p>DOC TYPE: PSD</p> <p>DOC PART: 001</p> <p>REVISION: B5</p>							
0 PLACES	\pm	<p>DRAFT WHERE APPLICABLE MUST REMAIN WITHIN DIMENSIONS</p> <p>THIRD ANGLE PROJECTION</p> <p>DRAWING: C-SIZE</p> <p>SERIES: 171395</p> <p>MATERIAL NUMBER: SEE CHART</p> <p>CUSTOMER: GENERAL MARKET</p> <p>SHEET NUMBER: 2 OF 4</p>							



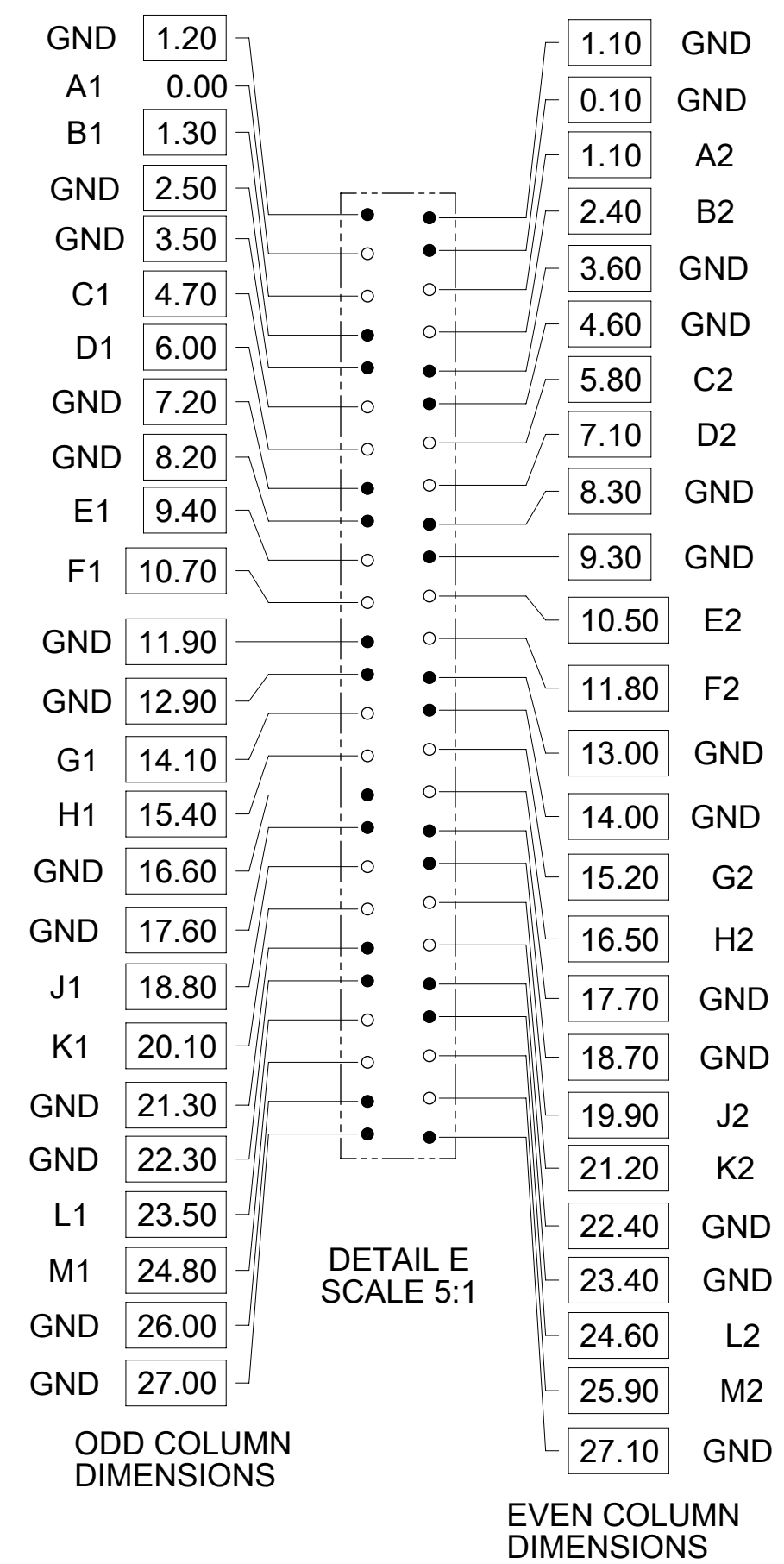
BACKPLANE HOLE PATTERN
FOR $\varnothing 0.46$ PTH
(CONNECTOR SIDE)



THIS DRAWING CONTAINS INFORMATION THAT IS PROPRIETARY TO MOLEX ELECTRONIC TECHNOLOGIES, LLC AND SHOULD NOT BE USED WITHOUT WRITTEN PERMISSION										
DIMENSION UNITS		SCALE		CURRENT REV DESC: CORRECT TYPO ERROR				molex		
MM		5:1								
GENERAL TOLERANCES (UNLESS SPECIFIED)				EC NO: 609492				IMPEL 6 PAIR BACKPLANE UNGUIDED ASSEMBLY SALES DRAWING		
ANGULAR TOL		± 0.5°		DRWN: JLTAN06		2018/12/21				
4 PLACES		±		CHK'D: YLLIM		2018/12/21		PRODUCT CUSTOMER DRAWING		
3 PLACES		±		APPR: DWLEE01		2019/01/02				
2 PLACES		± 0.13		INITIAL REVISION:				DOCUMENT NUMBER		
1 PLACE		± 0.25		DRWN: JLAURX		2012/01/13		SD-171395-0001		
0 PLACES		±		APPR: JLAURX		2012/11/27		DOC TYPE	DOC PART	REVISION
DRAFT WHERE APPLICABLE MUST REMAIN WITHIN DIMENSIONS		THIRD ANGLE PROJECTION		DRAWING	SERIES	MATERIAL NUMBER	CUSTOMER		SHEET NUMBER	
				C-SIZE	171395	SEE CHART	GENERAL MARKET		3 OF 4	



**BACKPLANE HOLE PATTERN
FOR Ø0.36 PTH
(CONNECTOR SIDE)**



THIS DRAWING CONTAINS INFORMATION THAT IS PROPRIETARY TO MOLEX ELECTRONIC TECHNOLOGIES, LLC AND SHOULD NOT BE USED WITHOUT WRITTEN PERMISSION									
DIMENSION UNITS		SCALE		CURRENT REV DESC: CORRECT TYPO ERROR				molex	
MM		5:1							
GENERAL TOLERANCES (UNLESS SPECIFIED)				EC NO: 609492				IMPEL 6 PAIR BACKPLANE UNGUIDED ASSEMBLY SALES DRAWING	
ANGULAR TOL ± 0.5°				DRWN: JLTAN06 2018/12/21					
4 PLACES ±				CHK'D: YLLIM 2018/12/21				PRODUCT CUSTOMER DRAWING	
3 PLACES ±				APPR: DWLEE01 2019/01/02					
2 PLACES ± 0.13				INITIAL REVISION:				DOCUMENT NUMBER	
1 PLACE ± 0.25				DRWN: JLAURX 2012/01/13					
0 PLACES ±				APPR: JLAURX 2012/11/27				SD-171395-0001	
DRAFT WHERE APPLICABLE MUST REMAIN WITHIN DIMENSIONS		THIRD ANGLE PROJECTION		DRAWING		SERIES		MATERIAL NUMBER	
				C-SIZE		171395		SEE CHART	
DOCUMENT STATUS		RELEASE DATE		CUSTOMER		SHEET NUMBER		REVISION	
P1		2019/01/02 18:03:43		GENERAL MARKET		4 OF 4		PSD 001 B5	