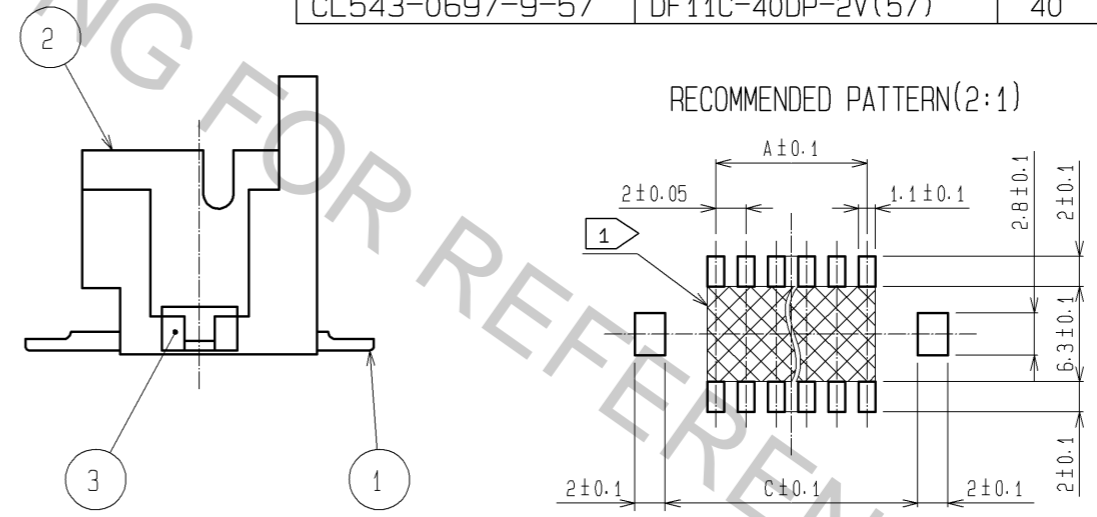
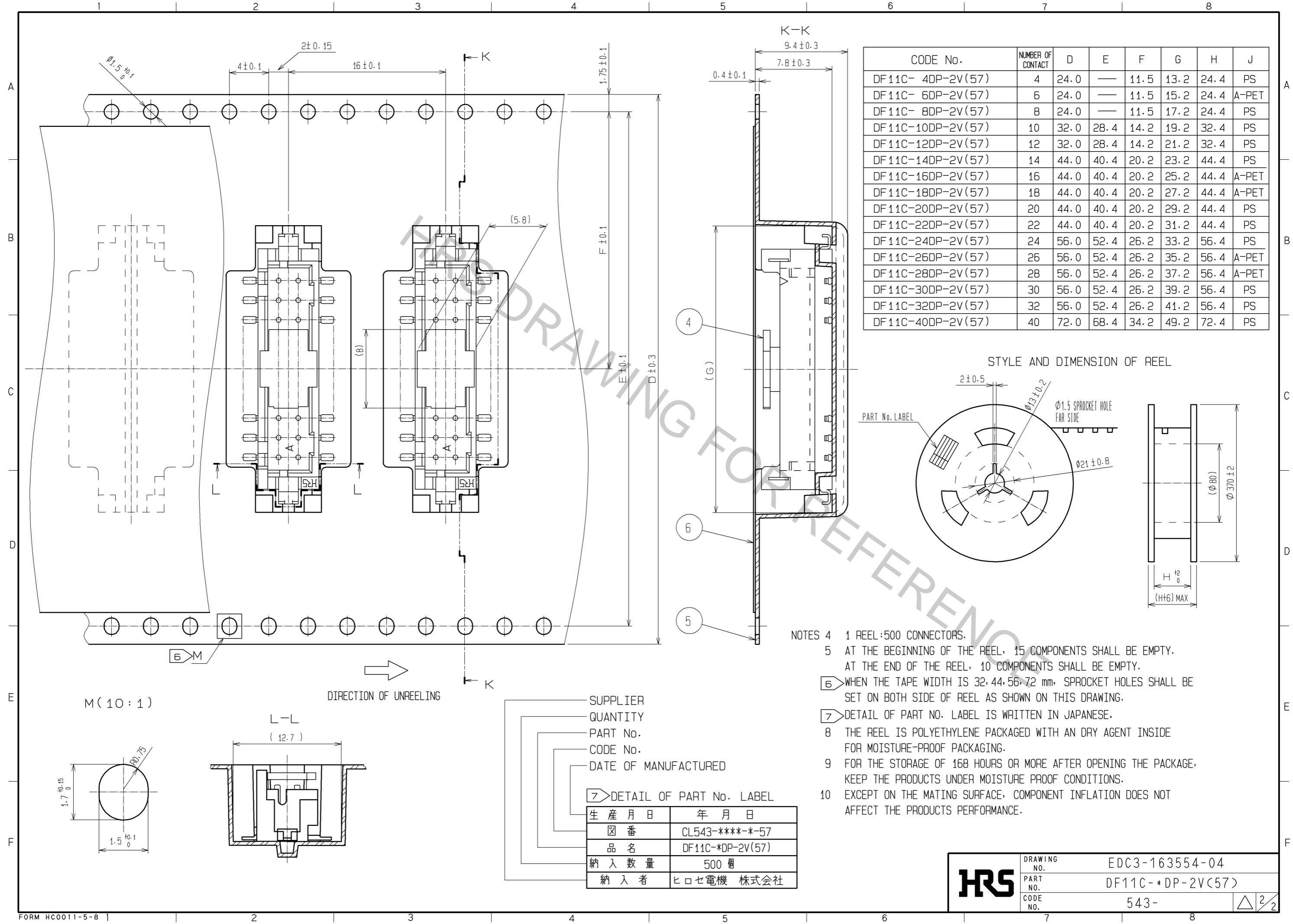


CODE No.	PART No.	NUMBER OF CONTACT	A	B	C
CL543-0682-1-57	DF11C- 4DP-2V(57)	4	2	8.5	8.7
CL543-0683-4-57	DF11C- 6DP-2V(57)	6	4	10.5	10.7
CL543-0684-7-57	DF11C- 8DP-2V(57)	8	6	12.5	12.7
CL543-0685-0-57	DF11C-10DP-2V(57)	10	8	14.5	14.7
CL543-0686-2-57	DF11C-12DP-2V(57)	12	10	16.5	16.7
CL543-0687-5-57	DF11C-14DP-2V(57)	14	12	18.5	18.7
CL543-0688-8-57	DF11C-16DP-2V(57)	16	14	20.5	20.7
CL543-0689-0-57	DF11C-18DP-2V(57)	18	16	22.5	22.7
CL543-0690-0-57	DF11C-20DP-2V(57)	20	18	24.5	24.7
CL543-0691-2-57	DF11C-22DP-2V(57)	22	20	26.5	26.7
CL543-0692-5-57	DF11C-24DP-2V(57)	24	22	28.5	28.7
CL543-0693-8-57	DF11C-26DP-2V(57)	26	24	30.5	30.7
CL543-0694-0-57	DF11C-28DP-2V(57)	28	26	32.5	32.7
CL543-0695-3-57	DF11C-30DP-2V(57)	30	28	34.5	34.7
CL543-0696-6-57	DF11C-32DP-2V(57)	32	30	36.5	36.7
CL543-0697-9-57	DF11C-40DP-2V(57)	40	38	44.5	44.7

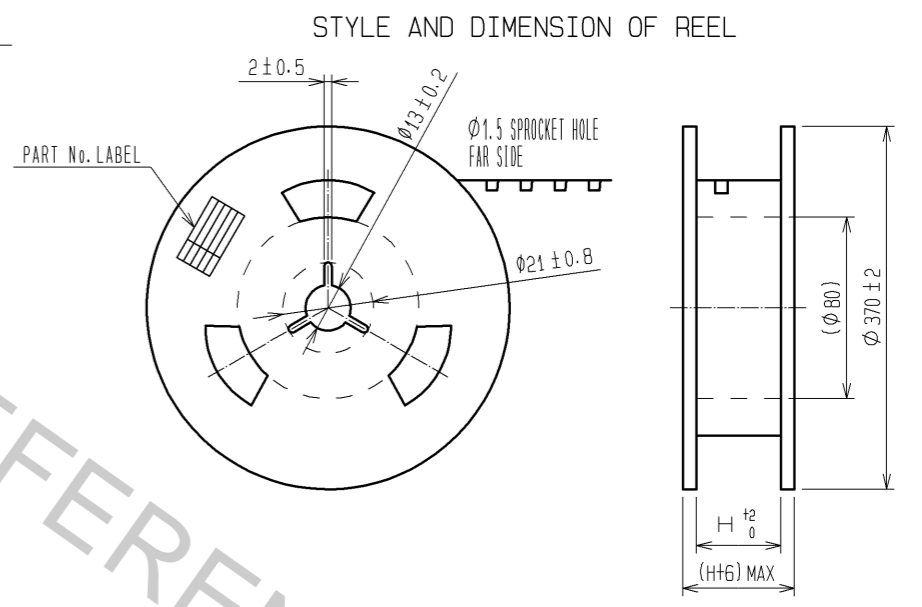


NOTES ① WHEN A PART MARKED WITH HAS A PATTERN AND NO RESIST ON IT, USE CARE TO PREVENT THE CONNECTOR TERMINAL FROM CONTACTING IT.
 2. LEAD CO-PLANARITY INCLUDE REINFORCED METAL FITTINGS SHALL BE 0.1mm MAX.
 ③ MATERIAL IS SHOWN IN TABLE.

2	POLYAMIDE	BEIGE. UL94V-0	6	POLYESTER	CLEAR(COVER TAPE)
1	BRASS	SURFACE:GOLD PLATED 0.2µm min UNDER PLATING:NICKEL PLATED 1µm min	5	J	CLEAR(EMBOSSED CARRIER TAPE)
			4	POLYAMIDE	CAP. BLACK
			3	BRASS	TIN PLATED 1µm min
NO.	MATERIAL	FINISH . REMARKS	NO.	MATERIAL	FINISH . REMARKS
UNITS mm		SCALE 5 : 1	COUNT		DESCRIPTION OF REVISIONS
DESIGNED		CHECKED		DATE	
APPROVED : TS. SAKATA 08.04.01			DRAWING NO. EDC3-163554-04		
CHECKED : TS. KUMAZAWA 08.04.01			PART NO. DF11C- *DP-2V(57)		
DESIGNED : KT. ISHII 08.04.01			CODE NO. CL543-		
DRAWN : YK. NAKATSU 08.03.13			DATE		



CODE No.	NUMBER OF CONTACT	D	E	F	G	H	J
DF11C- 4DP-2V(57)	4	24.0	—	11.5	13.2	24.4	PS
DF11C- 6DP-2V(57)	6	24.0	—	11.5	15.2	24.4	A-PET
DF11C- 8DP-2V(57)	8	24.0	—	11.5	17.2	24.4	PS
DF11C-10DP-2V(57)	10	32.0	28.4	14.2	19.2	32.4	PS
DF11C-12DP-2V(57)	12	32.0	28.4	14.2	21.2	32.4	PS
DF11C-14DP-2V(57)	14	44.0	40.4	20.2	23.2	44.4	PS
DF11C-16DP-2V(57)	16	44.0	40.4	20.2	25.2	44.4	A-PET
DF11C-18DP-2V(57)	18	44.0	40.4	20.2	27.2	44.4	A-PET
DF11C-20DP-2V(57)	20	44.0	40.4	20.2	29.2	44.4	PS
DF11C-22DP-2V(57)	22	44.0	40.4	20.2	31.2	44.4	PS
DF11C-24DP-2V(57)	24	56.0	52.4	26.2	33.2	56.4	PS
DF11C-26DP-2V(57)	26	56.0	52.4	26.2	35.2	56.4	A-PET
DF11C-28DP-2V(57)	28	56.0	52.4	26.2	37.2	56.4	A-PET
DF11C-30DP-2V(57)	30	56.0	52.4	26.2	39.2	56.4	PS
DF11C-32DP-2V(57)	32	56.0	52.4	26.2	41.2	56.4	PS
DF11C-40DP-2V(57)	40	72.0	68.4	34.2	49.2	72.4	PS



- NOTES
- 1 REEL :500 CONNECTORS.
 - 5 AT THE BEGINNING OF THE REEL, 15 COMPONENTS SHALL BE EMPTY. AT THE END OF THE REEL, 10 COMPONENTS SHALL BE EMPTY.
 - 6 WHEN THE TAPE WIDTH IS 32, 44, 56, 72 mm, SPROCKET HOLES SHALL BE SET ON BOTH SIDE OF REEL AS SHOWN ON THIS DRAWING.
 - 7 DETAIL OF PART No. LABEL IS WRITTEN IN JAPANESE.
 - 8 THE REEL IS POLYETHYLENE PACKAGED WITH AN DRY AGENT INSIDE FOR MOISTURE-PROOF PACKAGING.
 - 9 FOR THE STORAGE OF 168 HOURS OR MORE AFTER OPENING THE PACKAGE, KEEP THE PRODUCTS UNDER MOISTURE PROOF CONDITIONS.
 - 10 EXCEPT ON THE MATING SURFACE, COMPONENT INFLATION DOES NOT AFFECT THE PRODUCTS PERFORMANCE.

SUPPLIER
QUANTITY
PART No.
CODE No.
DATE OF MANUFACTURED

7>DETAIL OF PART No. LABEL

生産月日	年月日
図番	CL543-****-*57
品名	DF11C-*DP-2V(57)
納入数量	500個
納入者	ヒロセ電機 株式会社

HRS	DRAWING NO.	EDC3-163554-04
	PART NO.	DF11C-*DP-2V(57)
	CODE NO.	543-