

NOTES:

1) MATERIAL:

- "BLANK" = NYLON 6/6, 94V-2, COLOR: NATURAL.
- "BL" = NYLON 6/6, 94V-2, COLOR: BLACK.
- "BU" = NYLON 6/6, 94V-2, COLOR: BLUE.
- "RE" = NYLON 6/6, 94V-2, COLOR: RED.
- "210" = NYLON 6/6, 94V-0, COLOR: NATURAL.
- "400" = NYLON 6/6, 94V-0, COLOR: BLACK.

2) FINISH: NOT APPLICABLE

3) PRODUCT SPECIFICATION: PS-5556-001

4) PACKAGING: BULK PACKED PER PK-5559-001

5) PART MATES WITH MOLEX RECEPTACLE #5557.

6) PART TO BE USED WITH MOLEX MALE TERMINAL #5558.

7) PART IS NOT DESIGNED FOR CURRENT SHARING.

8) CONNECTORS ARE NOT TO BE MATED OR UNMATED WHILE CIRCUITS ARE LIVE.

9) WIRES ARE TO BE DRESSED IN SUCH A MANNER TO ALLOW THE TERMINALS TO FLOAT FREELY IN THE POCKET.

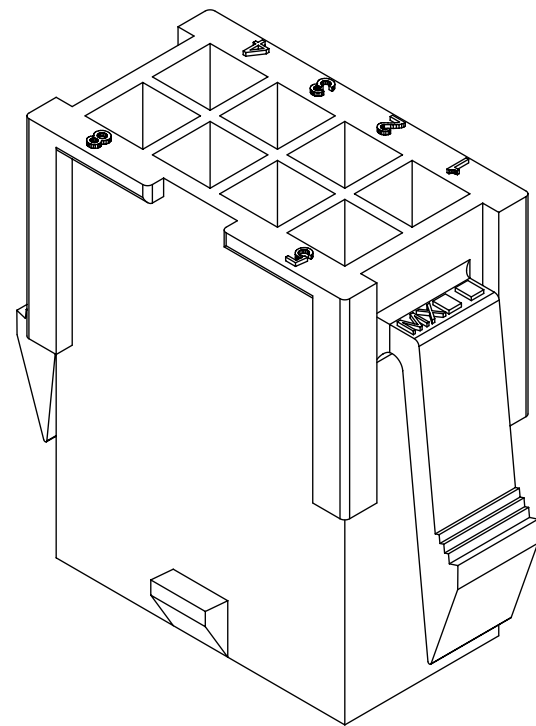
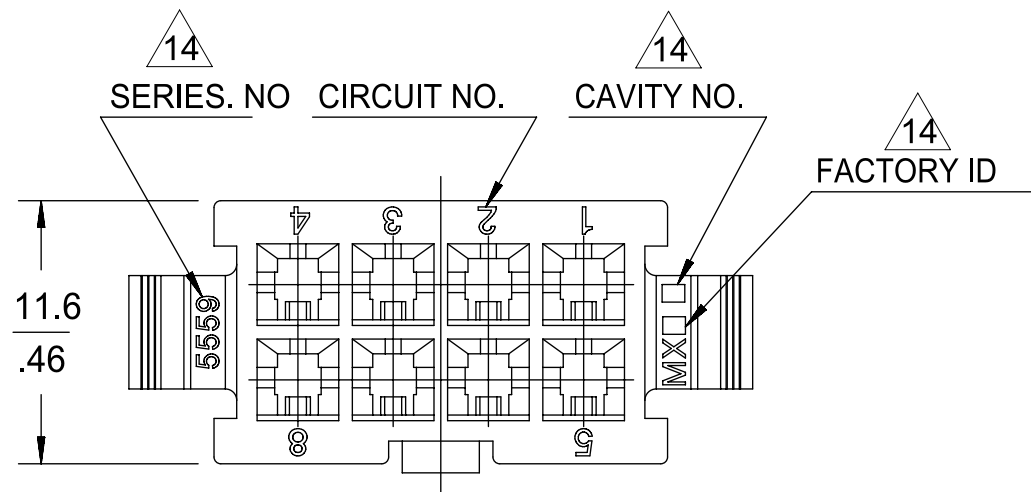
10) PART CONFORMS TO CLASS "B" REQUIREMENTS OF COSMETIC SPECIFICATION PS-45499-002 WITH THE EXCEPTION OF DISCOLORATION, FLASH AND SINK MEET CLASS "C" REQUIREMENTS.

11) ON 2 CIRCUITS PARTS THIS DIMENSION IS ALLOWABLE UP TO "D" DIMENSION.

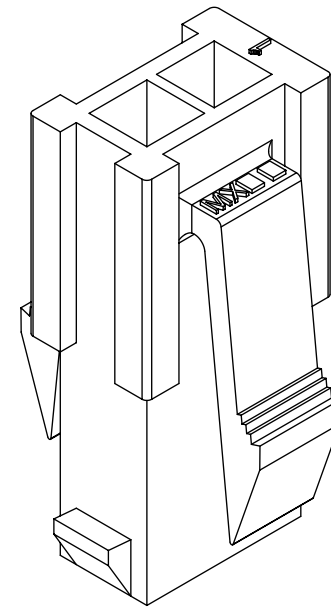
12) PANEL HOLE TO BE PUNCHED OUT IN THE SAME DIRECTION AS INSERTION INTO THE PANEL.

13) TO BE MEASURED AT SURFACE -A-

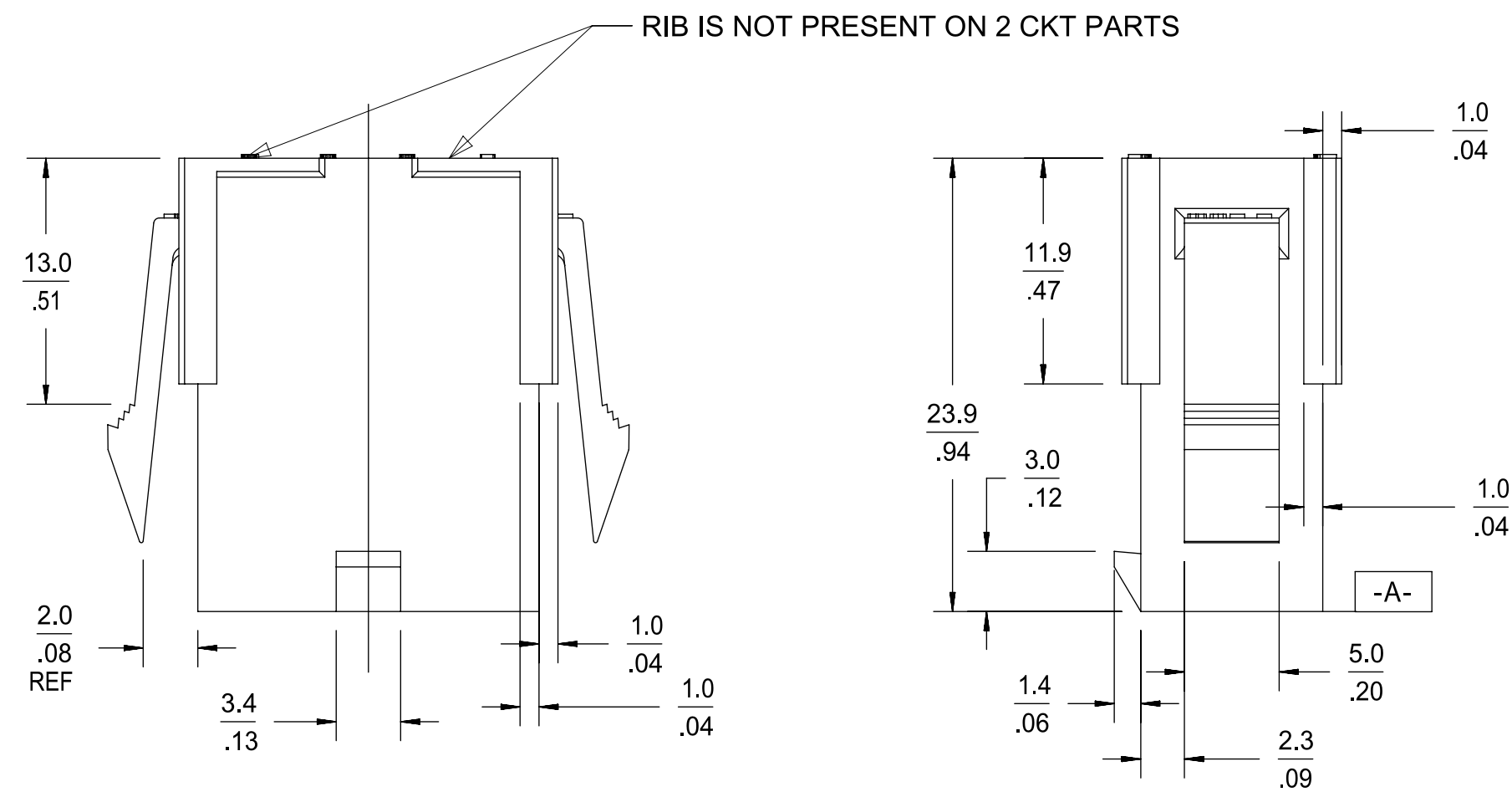
14) TEXT ON PART IS FOR REFERENCE ONLY. TEXT AND TEXT LOCATION MAY VARY DEPENDING ON PART NUMBER AND/OR TOOL.



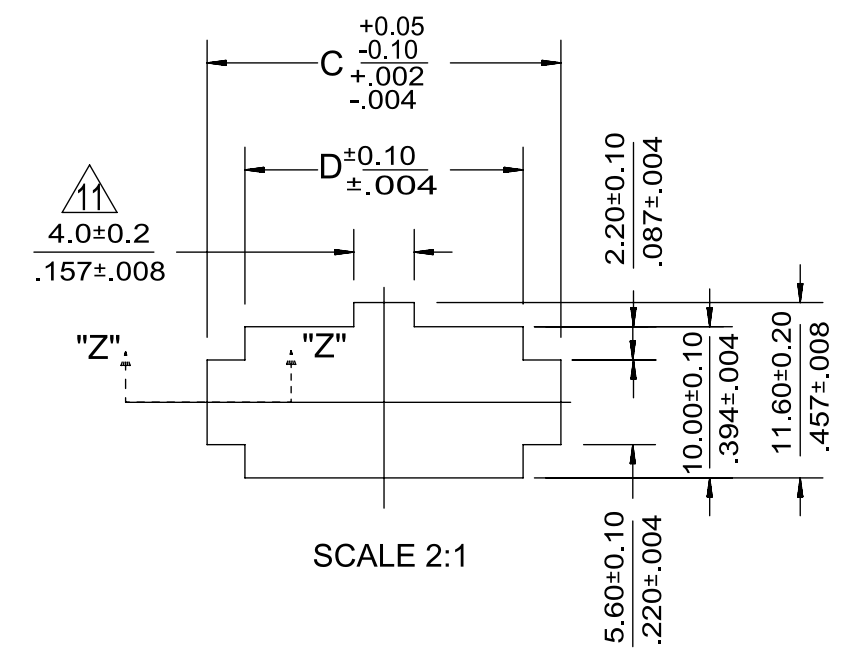
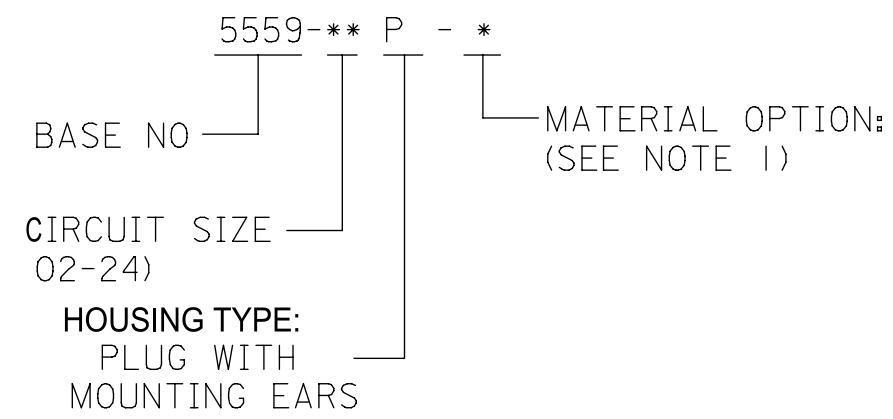
8 CKT SHOWN



2 CKT SHOWN

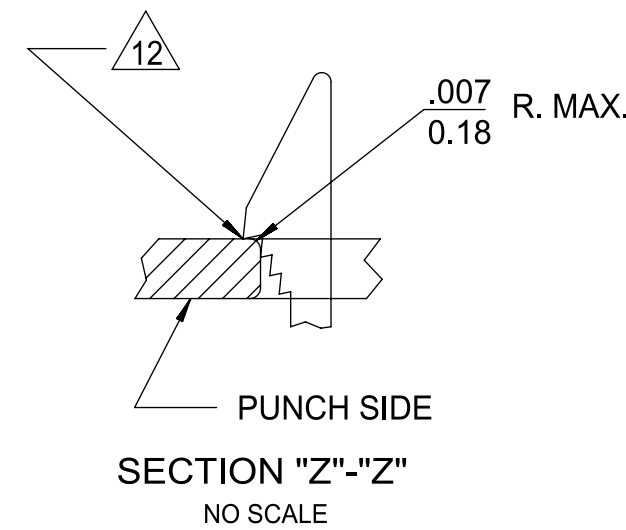


LEGEND



RECOMMENDED PANEL HOLE DIMENSIONS  
(THICKNESS : 0.8-2.0/.032-.079)

|            |            |            |            |         |
|------------|------------|------------|------------|---------|
| 52.1/2.051 | 57.0/2.244 | 51.6/2.031 | 46.2/1.819 | 24      |
| 47.9/1.886 | 52.8/2.079 | 47.4/1.866 | 42.0/1.654 | 22      |
| 43.7/1.720 | 48.6/1.913 | 43.2/1.701 | 37.8/1.488 | 20      |
| 39.5/1.555 | 44.4/1.748 | 39.0/1.535 | 33.6/1.323 | 18      |
| 35.3/1.390 | 40.2/1.583 | 34.8/1.370 | 29.4/1.158 | 16      |
| 31.1/1.224 | 36.0/1.417 | 30.6/1.205 | 25.2/.992  | 14      |
| 26.8/1.055 | 31.8/1.252 | 26.4/1.039 | 21.0/.827  | 12      |
| 22.6/.890  | 27.6/1.087 | 22.2/.874  | 16.8/.661  | 10      |
| 18.4/.724  | 23.4/.921  | 18.0/.709  | 12.6/.496  | 8       |
| 14.2/.559  | 19.2/.756  | 13.8/.543  | 8.4/.331   | 6       |
| 10.0/.394  | 15.0/.591  | 9.6/.378   | 4.2/.165   | 4       |
| 5.8/.228   | 10.8/.425  | 5.4/.213   | —          | 2       |
| D          | C          | B          | A          | CIRCUIT |

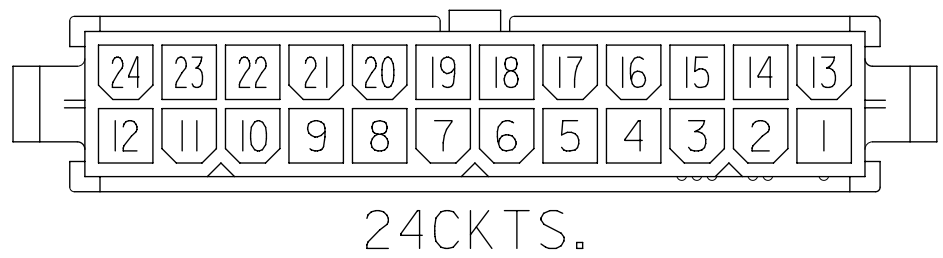
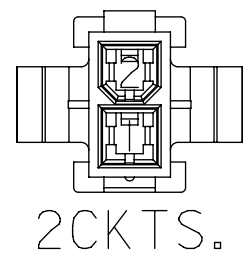
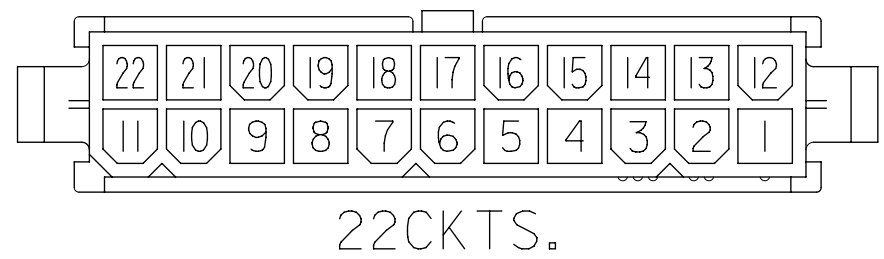
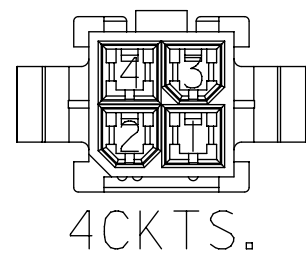
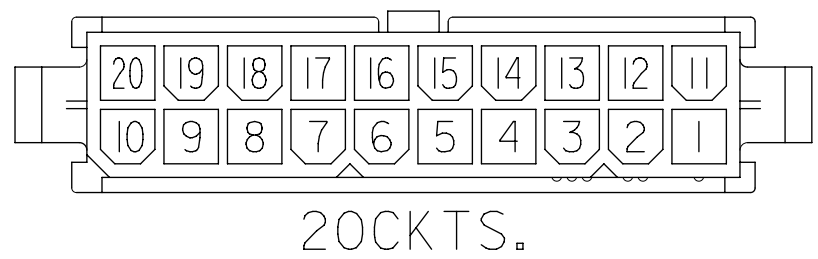
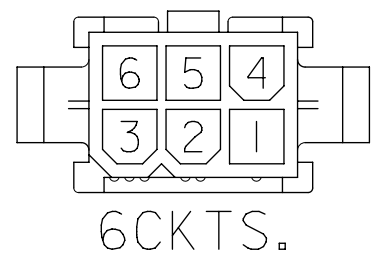
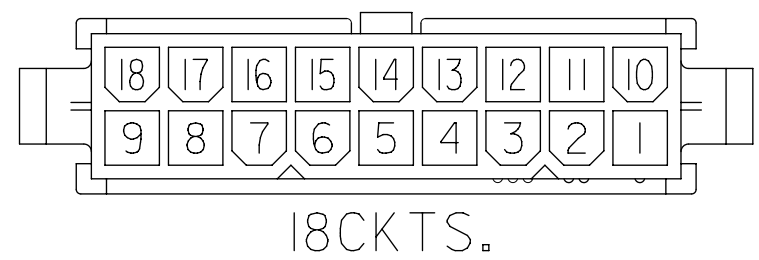
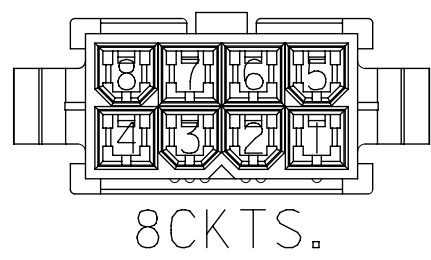
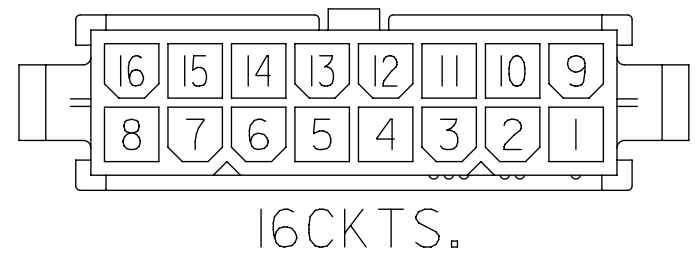
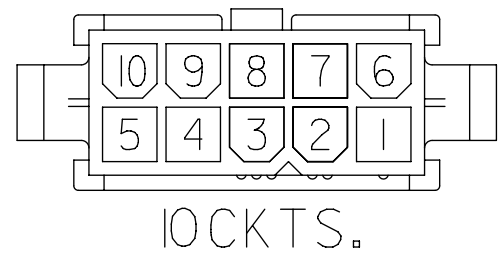
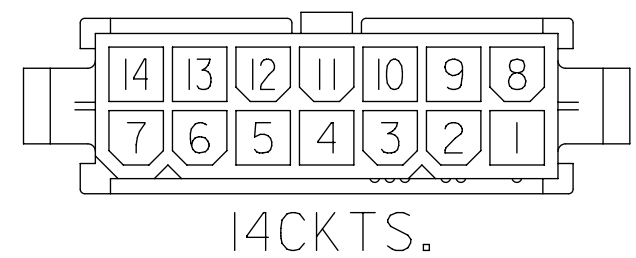
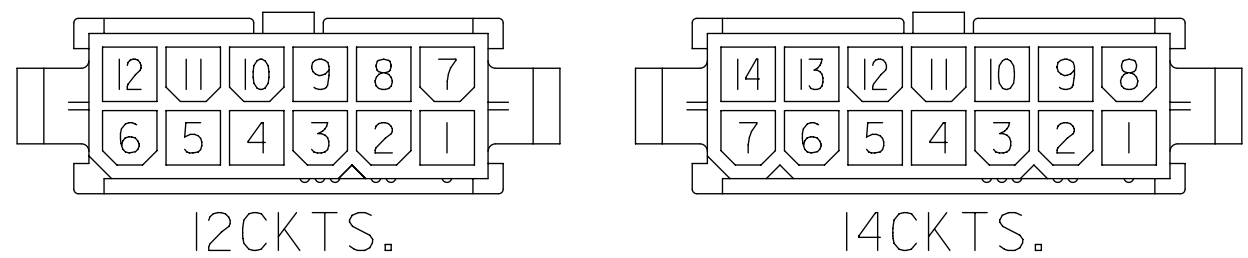


THIS DRAWING CONTAINS INFORMATION THAT IS PROPRIETARY TO MOLEX ELECTRONIC TECHNOLOGIES, LLC AND SHOULD NOT BE USED WITHOUT WRITTEN PERMISSION

|  |  |         |             |                   |  |  |  |  |  |
|--|--|---------|-------------|-------------------|--|--|--|--|--|
| DIMENSION UNITS                                      |  | SCALE   |             | CURRENT REV DESC: |  |  |  |  |  |
| IN/MM  |  | NTS     |             |                   |  |  |  |  |  |
| GENERAL TOLERANCES (UNLESS SPECIFIED)                |  |         |             |                   |  | EC NO: 732242<br>DRWN: JERRYW8 2022/12/15<br>CHK'D: XQZHANG 2022/12/16<br>APPR: XQZHANG 2022/12/16         |  |  |  |
| 4 PLACES   |  | ±       | ±           |                   |  |  |  |  |  |
| 3 PLACES   |  | ±       | ± 0.012     |                   |  | PRODUCT CUSTOMER DRAWING<br>DOCUMENT NUMBER: 55590020-SD<br>DOC TYPE: PSD<br>DOC PART: 000<br>REVISION: A2 |  |  |  |
| 2 PLACES   |  | ±       | 0.3 ± 0.016 |                   |  |  |  |  |  |
| 1 PLACE  |  | ±       | 0.4 ±       |                   |  | INITIAL REVISION:<br>DRWN: H.HIRAMOTO 1998/10/14<br>APPR: E.ENOMOTO 1988/10/24                             |  |  |  |
| 0 PLACES   |  | ±       | ±           |                   |  |  |  |  |  |
| ANGULAR TOL  |  | ±       | 3.0 °       |                   |  | MATERIAL NUMBER: SEE TABLE<br>CUSTOMER: GENERAL MARKET<br>SHEET NUMBER: 1 OF 2                             |  |  |  |
| DRAFT WHERE APPLICABLE MUST REMAIN WITHIN DIMENSIONS |  |         |             |                   |  |  |  |  |  |
| THIRD ANGLE PROJECTION                               |  | DRAWING |             | SERIES            |  |  |  |  |  |
| C-SIZE   |  | 5559    |             |                   |  |  |  |  |  |

THIS DRAWING REPLACES SD-5559-NP

|                 |    |              |            |          |
|-----------------|----|--------------|------------|----------|
| DOCUMENT STATUS | P1 | RELEASE DATE | 2022/12/16 | 07:19:24 |
|-----------------|----|--------------|------------|----------|



CIRCUIT SIZE LAYOUT (SCALE : 2-1)

| V-2 BLACK  |             |         | V-0 BLACK  |              |         |
|------------|-------------|---------|------------|--------------|---------|
| 46999-0157 | 5559-24P-BL | 24      | 46999-0304 | 5559-24P-400 | 24      |
|            |             | 22      | 46999-0303 | 5559-22P-400 | 22      |
| 39-02-8205 | 5559-20P-BL | 20      | 46999-0302 | 5559-20P-400 | 20      |
|            |             | 18      | 46999-0301 | 5559-18P-400 | 18      |
|            |             | 16      | 46999-0300 | 5559-16P-400 | 16      |
|            |             | 14      | 46999-0299 | 5559-14P-400 | 14      |
|            |             | 12      | 46999-0298 | 5559-12P-400 | 12      |
|            |             | 10      | 46999-0297 | 5559-10P-400 | 10      |
|            |             | 8       | 46999-0296 | 5559-08P-400 | 8       |
| 39-02-8065 | 5559-06P-BL | 6       | 46999-0295 | 5559-06P-400 | 6       |
|            |             | 4       | 46999-0294 | 5559-04P-400 | 4       |
|            |             | 2       | 46999-0293 | 5559-02P-400 | 2       |
| EDP NO.    | ENG. NO.    | CIRCUIT | EDP NO.    | ENG. NO.     | CIRCUIT |

| V-2 BLUE |          |         | V-2 RED |          |         | V-0 NATURAL |               |         | V-2 NATURAL |          |         |
|----------|----------|---------|---------|----------|---------|-------------|---------------|---------|-------------|----------|---------|
|          |          | 24      |         |          | 24      | 39-01-2246  | 5559 -24P-210 | 24      | 39-01-2241  | 5559-24P | 24      |
|          |          | 22      |         |          | 22      | ▲ -2226     | ▲ -22P-210    | 22      | ▲ -2221     | ▲ -22P   | 22      |
|          |          | 20      |         |          | 20      | -2206       | -20P-210      | 20      | -2201       | -20P     | 20      |
|          |          | 18      |         |          | 18      | -2186       | -18P-210      | 18      | -2181       | -18P     | 18      |
|          |          | 16      |         |          | 16      | -2166       | -16P-210      | 16      | -2161       | -16P     | 16      |
|          |          | 14      |         |          | 14      | -2146       | -14P-210      | 14      | -2141       | -14P     | 14      |
|          |          | 12      |         |          | 12      | -2126       | -12P-210      | 12      | -2121       | -12P     | 12      |
|          |          | 10      |         |          | 10      | -2106       | -10P-210      | 10      | -2101       | -10P     | 10      |
|          |          | 8       |         |          | 8       | -2086       | -08P-210      | 8       | -2081       | -08P     | 8       |
|          |          | 6       |         |          | 6       | -2066       | -06P-210      | 6       | -2061       | -06P     | 6       |
|          |          | 4       |         |          | 4       | ▼ -2046     | ▼ -04P-210    | 4       | ▼ -2041     | ▼ -04P   | 4       |
|          |          | 2       |         |          | 2       | 39-01-2026  | 5559 -02P-210 | 2       | 39-01-2021  | 5559-02P | 2       |
| EDP NO.  | ENG. NO. | CIRCUIT | EDP NO. | ENG. NO. | CIRCUIT | EDP NO.     | ENG. NO.      | CIRCUIT | EDP NO.     | ENG. NO. | CIRCUIT |

THIS DRAWING CONTAINS INFORMATION THAT IS PROPRIETARY TO MOLEX ELECTRONIC TECHNOLOGIES, LLC AND SHOULD NOT BE USED WITHOUT WRITTEN PERMISSION

|  |                        |                   |  |
|--|------------------------|-------------------|--|
| DIMENSION UNITS                                      | SCALE                  | CURRENT REV DESC: | <b>molex</b>   |
| IN/MM  | NTS                    |                   |  |
| GENERAL TOLERANCES (UNLESS SPECIFIED)                |                        |                   |  |
|  | MM                     | INCH              |  |
| 4 PLACES   | ±                      | ±                 | EC NO: 732242<br>DRWN: JERRYW8 2022/12/15<br>CHK'D: XQZHANG 2022/12/16<br>APPR: XQZHANG 2022/12/16 |
| 3 PLACES   | ±                      | ± 0.012           |  |
| 2 PLACES   | ±                      | 0.3 ± 0.016       |  |
| 1 PLACE  | ±                      | 0.4 ±             |  |
| 0 PLACES   | ±                      | ±                 | INITIAL REVISION:<br>DRWN: H.HIRAMOTO 1998/10/14<br>APPR: E.ENOMOTO 1988/10/24                     |
| ANGULAR TOL  | ±                      | 3.0 °             |  |
| DRAFT WHERE APPLICABLE MUST REMAIN WITHIN DIMENSIONS | THIRD ANGLE PROJECTION | DRAWING           | SERIES   |
|  |                        | C-SIZE            | 5559   |
| DOCUMENT NUMBER                                      | DOC TYPE               | DOC PART          | REVISION   |
| 55590020-SD  | PSD                    | 000               | A2   |
| MATERIAL NUMBER                                      | CUSTOMER               | SHEET NUMBER      |  |
| SEE TABLE  | GENERAL MARKET         | 2 OF 2            |  |