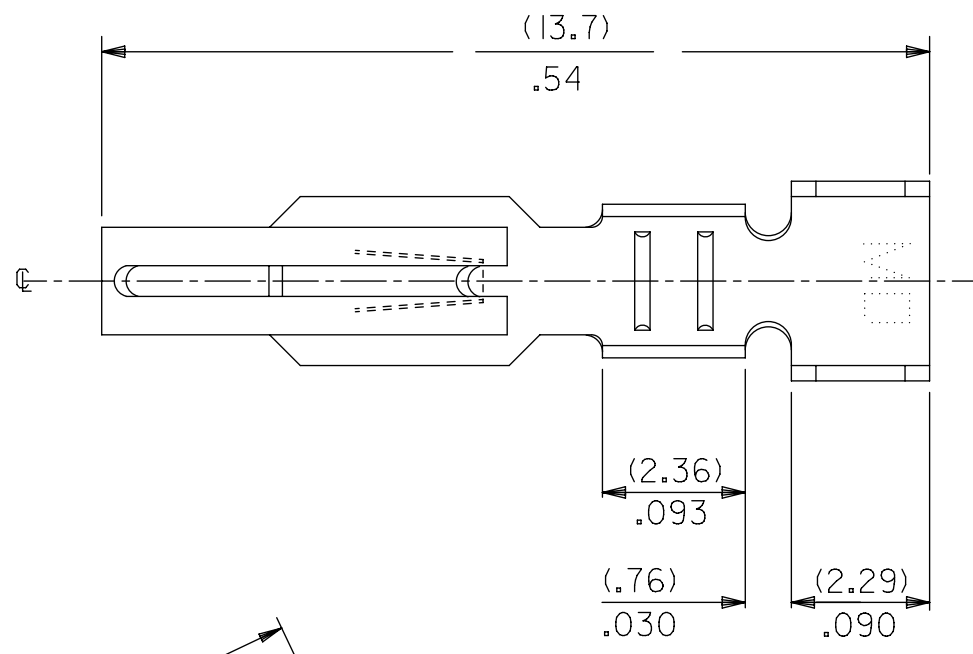
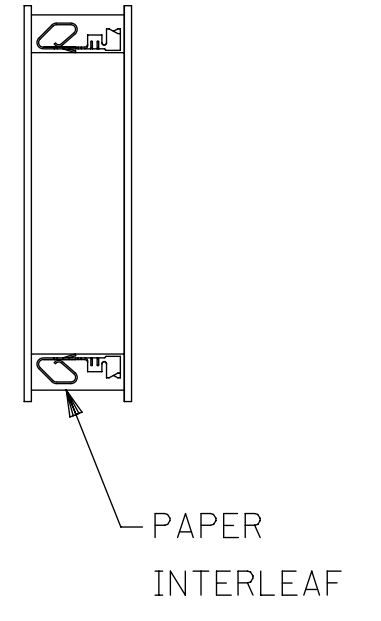
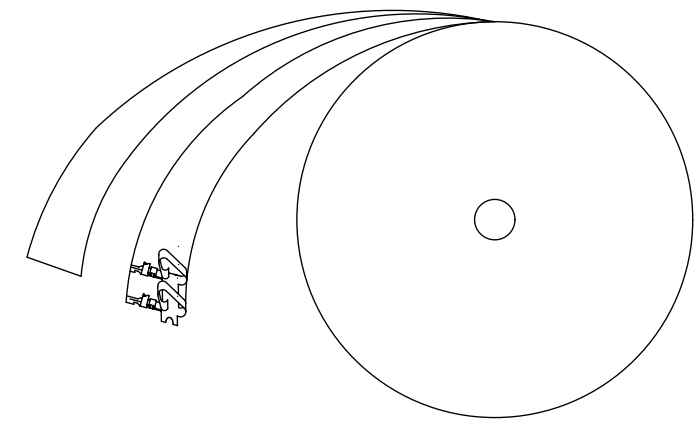
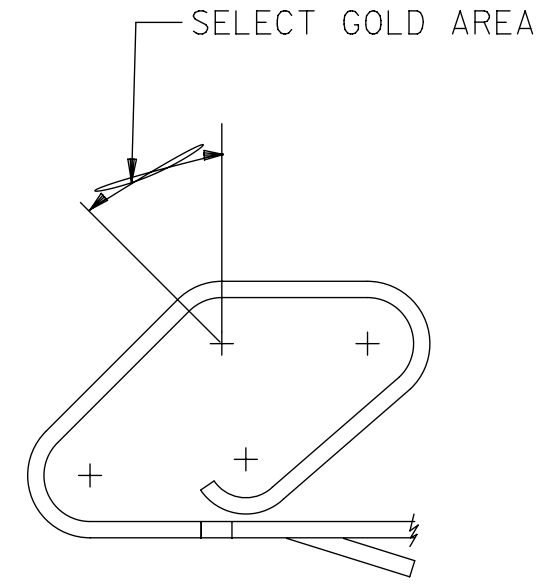
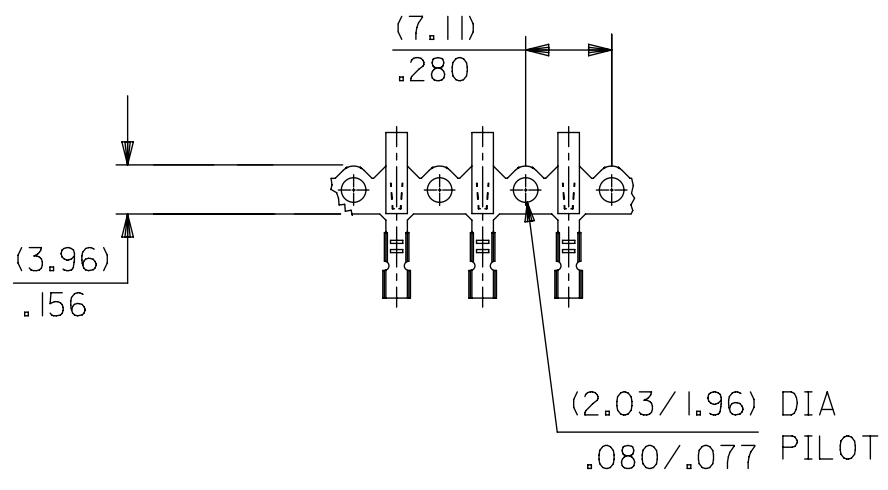
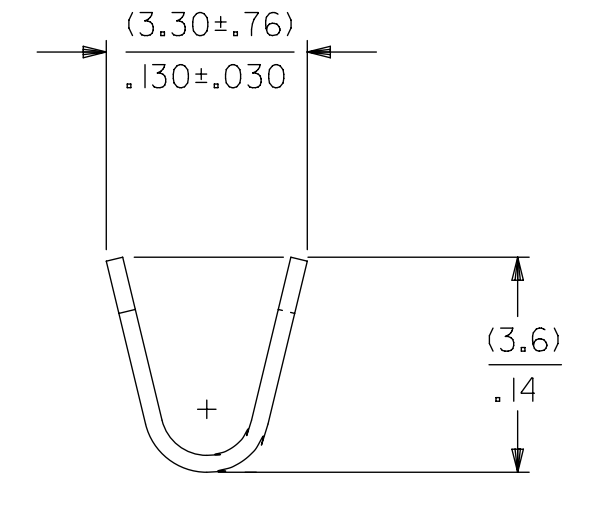
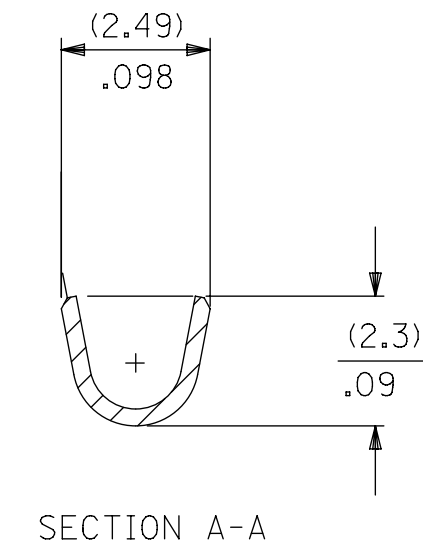
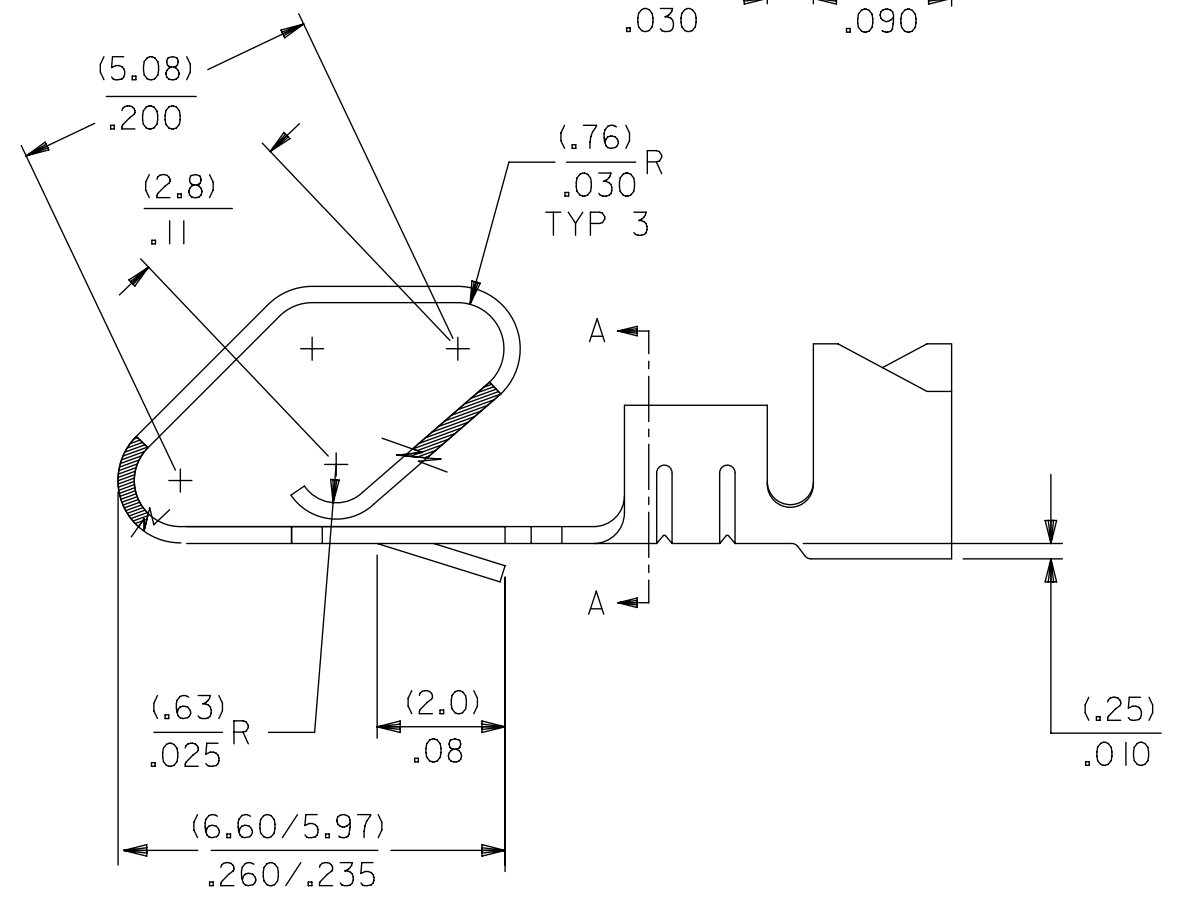
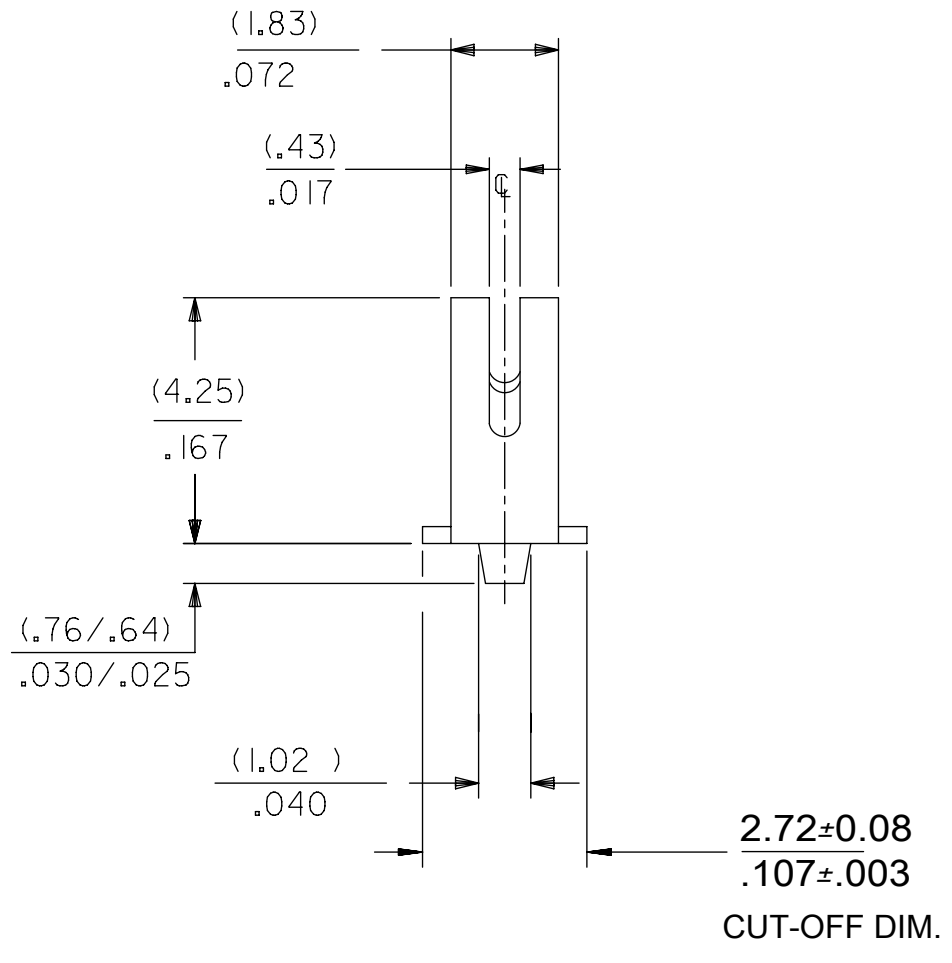


PART NO.	ENG NO.	PLATING
008-56-0113	2477-G	565
008-56-0114	2477-GL	565
008-50-0109	2477-(P909)	P909
008-50-0110	2477-(P909)L	P909



2477- * - * - *
 MATERIAL CODE WINDING SPEC.
 (.25)/.010 THK BLANK=CHAIN, PER WINDING DETAIL "B"
 BLANK= BRASS L=LOOSE
 OPTION CODE PLATING
 BLANK=AS SHOWN SEE NOTE 2



WINDING DETAIL "B"

- NOTES:
- MATERIAL: SEE LEGEND
 - FINISH: P909: OVERALL HOT TIN DIP: (0.00254)/.000100 MIN.
 565: SELECT GOLD: (0.00051)/.000020 MIN.
 OVERALL NICKEL: (0.00076)/.000030 MIN.
 OVERALL GOLD FLASH: (0.00005)/.000002 MIN.
 - PRODUCT SPECIFICATION: PS-08-50
 - PACKAGING SPECIFICATION: LOOSE TERMINALS: PK-2759-001
 CHAIN FORM TERMINALS: PER PK-2759-002
 - CRIMP ACCEPTS 18 TO 24 GA. WIRE WITH (2.79)/.110 MAX. INSULATION DIA.
 - TERMINAL FOR USE IN 2139 AND 3069 SERIES HOUSINGS WITH (2.54)/.100 MAX. INSULATION DIAMETER AND 172159 SERIES HOUSINGS WITH (2.79)/.110 MAX. INSULATION DIAMETER.
 - THIS PART CONFORMS TO CLASS B REQUIREMENTS OF COSMETIC SPECIFICATION PS-45499-002.
 - MATING TERMINALS TO ROUND PINS IS NOT RECOMMENDED.

THIS DRAWING CONTAINS INFORMATION THAT IS PROPRIETARY TO MOLEX ELECTRONIC TECHNOLOGIES, LLC AND SHOULD NOT BE USED WITHOUT WRITTEN PERMISSION									
SYMBOLS		DIMENSION UNITS		SCALE		CURRENT REV DESC: NOTE 4 ADDED			
▽ = 0	MM/IN	1:1							
▽ = 0	GENERAL TOLERANCES (UNLESS SPECIFIED)								
▽ = 0		MM	INCH						
▽ = 0	4 PLACES	±	±	EC NO: 605479					
▽ = 0	3 PLACES	±	± 0.01	DRWN: SS06 2018/09/19					
▽ = 0	2 PLACES	± 0.25	± 0.014	CHK'D: ISHWARG 2018/10/05					
▽ = 0	1 PLACE	± 0.36	±	APPR: ISHWARG 2018/10/05					
▽ = 0	0 PLACES	±	±	INITIAL REVISION:					
▽ = 0	ANGULAR TOL	± 0.5 °		DRWN: SAMIEC 1995/03/02					
▽ = 0	DRAFT WHERE APPLICABLE MUST REMAIN WITHIN DIMENSIONS		THIRD ANGLE PROJECTION		DRAWING		SERIES		
▽ = 0			C-SIZE		2477				

molex

KK CRIMP TERMINAL
 (3.96)/.156 CENTERS 18 TO 24 AWG WIRE

PRODUCT CUSTOMER DRAWING

DOCUMENT NUMBER: SD-2477-XXXX DOC TYPE: PSD DOC PART: 001 REVISION: AD3

MATERIAL NUMBER: SEE CHART CUSTOMER: GENERAL MARKET SHEET NUMBER: 1 OF 1