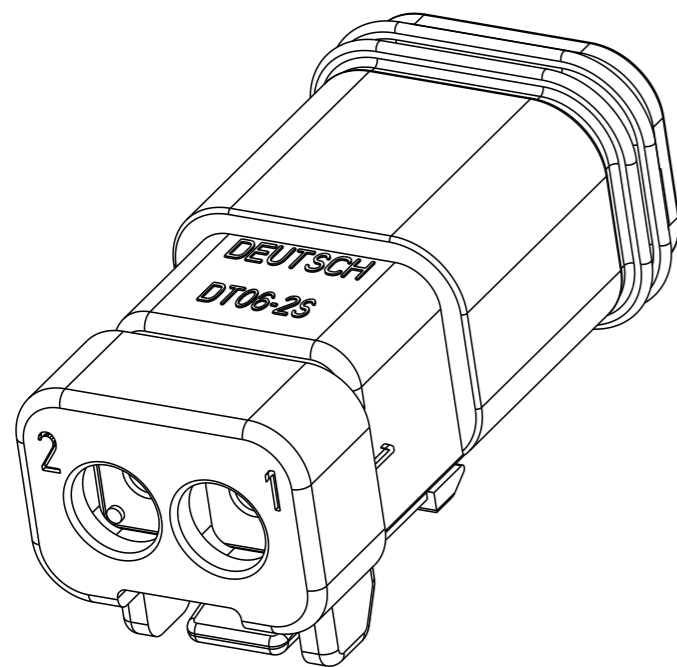
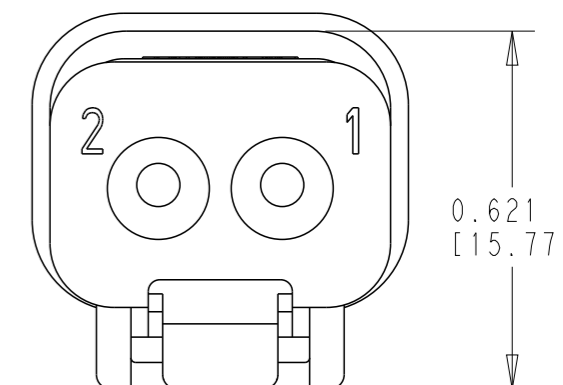
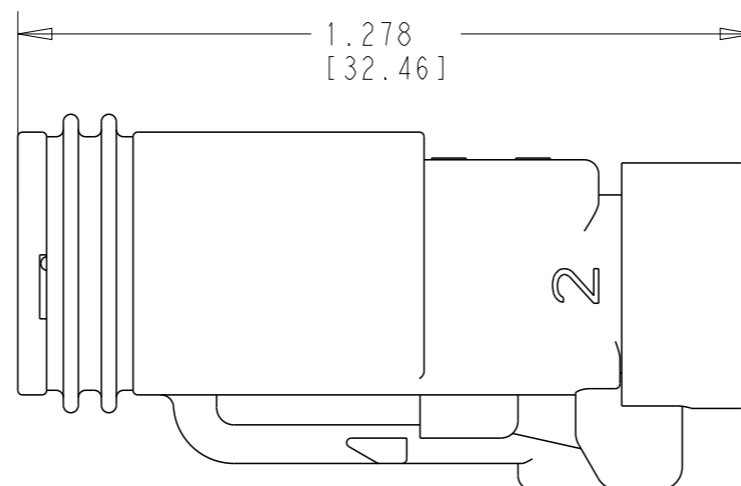
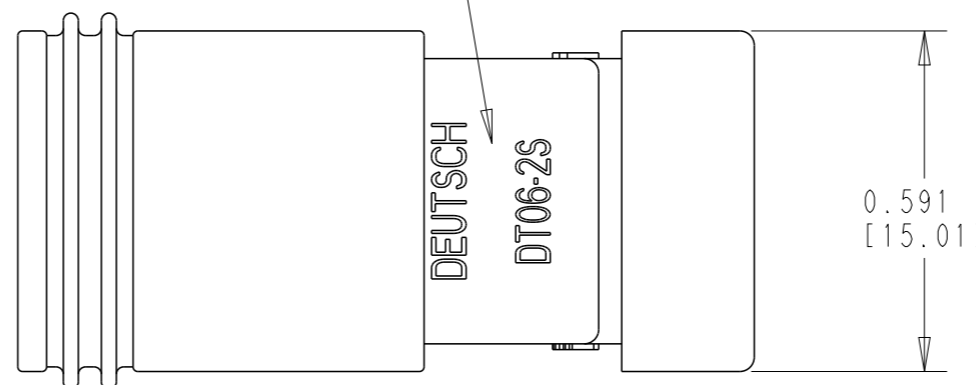


P	LTR	DESCRIPTION	DATE	DWN	APVD
A		REVISED PER E.O. P15957	10-23-06		RDR
B		REVISED PER PCN-19-014481	16SEP2019	AP	IG



TEXT OPTIONAL: IPD USA



3. MATERIAL: HOUSING, CAP: PA66 GF15 (GRAY)
 SEALS: VMQ (RED-ORANGE)
 WEDGE: PBT GF30 (ORANGE)

2. THIS PLUG MATES WITH DT04-2P-**** RECEPTACLE.
 (**** = ALL MODIFICATIONS)

1. WEDGE W2S IS INCLUDED WITH PLUG ASSEMBLY.

NOTES:

TE INTERNAL PN	DEUTSCH PN
DT06-2S-C017	DT06-2S-C017

THIS DRAWING IS A CONTROLLED DOCUMENT.		DWN D. SPENCER 09MAR99		
DIMENSIONS: INCHES [mm]		CHK B. BYFORD 10/20/06		
TOLERANCES UNLESS OTHERWISE SPECIFIED:		APVD S. BEARD 10/20/06	NAME 2 WAY PLUG BLOCKED GROMMET DT SERIES	
0 PLC ± 1 PLC ± 2 PLC ± 3 PLC ±.025 [0.64] 4 PLC ± ANGLES ±		PRODUCT SPEC 108-151009	SIZE A3	
MATERIAL		APPLICATION SPEC 114-151009	CAGE CODE 00779	DRAWING NO DT06-2S-C017
FINISH		WEIGHT 6 GR	RESTRICTED TO -	
		CUSTOMER DRAWING	SCALE 3:1	SHEET 1 OF 1
			REV B	