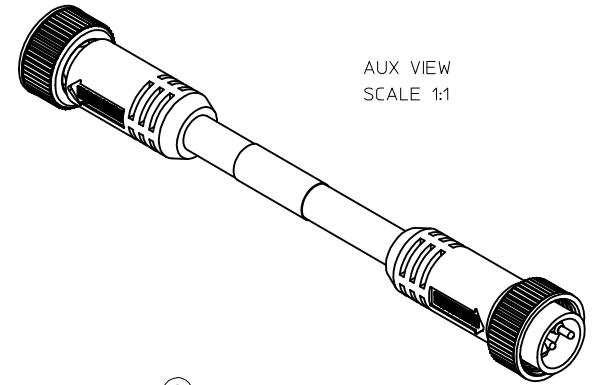


PART NUMBER	ENGINEERING NO.	LENGTH
1300100147	112020A01F060	6.00' +2.19" - 0 [ 1.8M +55.6mm - 0 ]
1300100152	112020A01F120	12.00' +3.50" - 0 [ 3.7M +88.9mm - 0 ]
1300100159	112020A01F200	20.00' +6.50" - 0 [ 6.1M +165.1mm - 0 ]

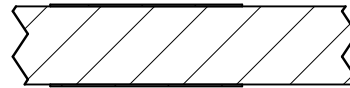
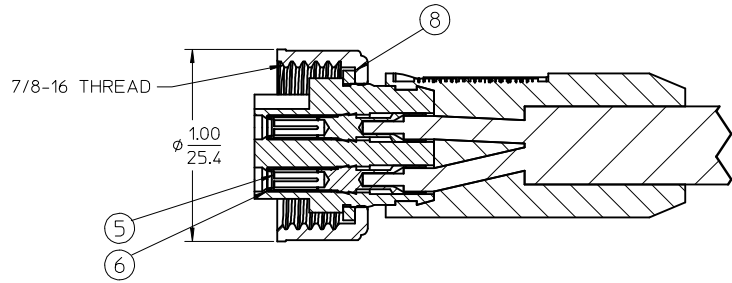


WIRING DIAGRAM

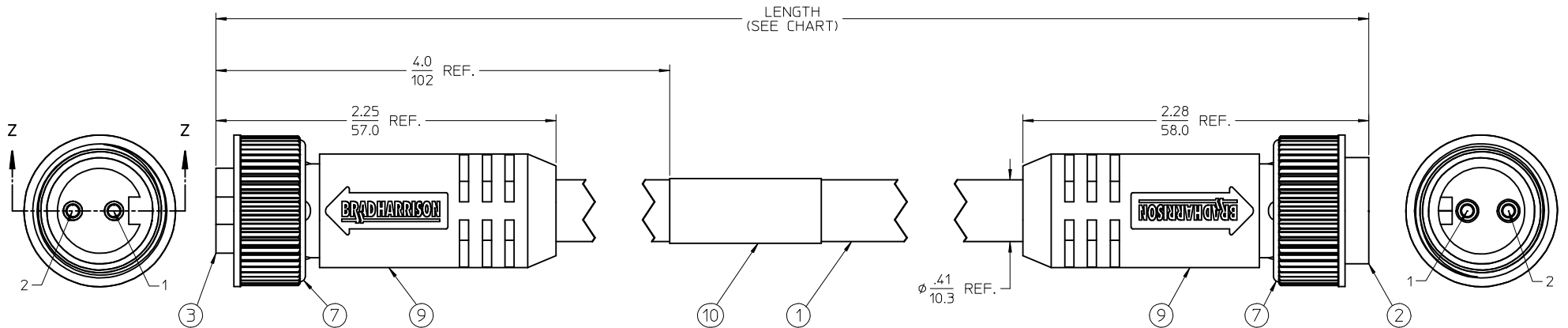
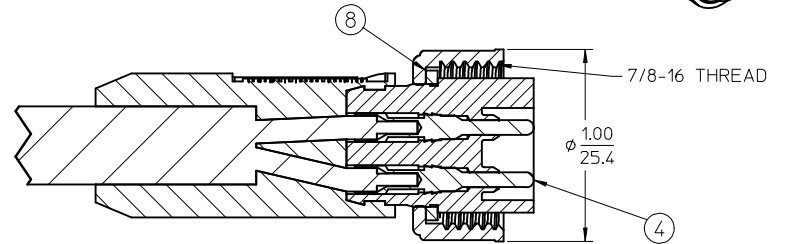
- NOTES:
1. MATERIALS: SEE TABLE
  2. FINISHES: SEE TABLE
  3. CABLE: #16/2 ST00W/ST PVC
  4. ELECTRICAL DATA:  
MAX. VOLTAGE: 600 VAC/VDC  
MAX. CURRENT: 13 AMPS
  5. ENVIRONMENTAL:  
PROTECTION IP 67  
TEMPERATURE RANGE: -20 TO 105 C
  6. WRAP LABEL IS MARKED WITH P/N, DATE CODE, VOLTAGE & AMPERAGE
  7. ASSEMBLY IS RoHS COMPLIANT



AUX VIEW  
SCALE 1:1



Section Z-Z



ITEM	QTY.	DESCRIPTION	MATERIAL	FINISH
10	1	LABEL	MYLAR	BLACK/YELLOW
9	2	OVERMOLD	PVC	YELLOW
8	2	FRICION RING	NYLON	WHITE
7	2	COUPLING NUT	ZINC DIECAST	BLACK E-COAT
6	2	SOCKET SLEECE	STAINLESS STEEL	
5	2	CONTACT SOCKET	BRASS	GOLD OVER NICKEL
4	2	CONTACT PIN	BRASS	GOLD OVER NICKEL
3	1	FEMALE INSERT, 2 POLE	PVC	YELLOW
2	1	MALE INSERT, 2 POLE	PVC	YELLOW
1	1	CABLE, ST00W/ST #16/2	PVC JACKET	YELLOW

RELEASED DRAWING EC NO: MNA2009-0846 DRAWN BY: DRWINLHARTMANN 2009/06/17 CHKDR: CHKHORSTONE APPR: JFMURPHY 2009/08/14	QUALITY SYMBOLS ▽=0 ▽=0
---	-------------------------------

GENERAL TOLERANCES (UNLESS SPECIFIED)	DIMENSION STYLE IN/MM
4 PLACES ± --- ± ---	DRAWN BY DATE LHARTMANN 2009/06/17
3 PLACES ± --- ± .005	CHECKED BY DATE RSTONE 2009/06/30
2 PLACES ± --- ± .010	APPROVED BY DATE JFMURPHY 2009/06/30
1 PLACE ± --- ± .020	MATERIAL NO.
ANGULAR ± 1/2°	SCALE 2:1
DRAFT WHERE APPLICABLE MUST REMAIN WITHIN DIMENSIONS	DESIGN UNITS INCH
	THIRD ANGLE PROJECTION

MINI-CHANGE CORDSET 2 POLE MA/FE ST/ST #16/2 YELLOW ST00W/ST	
MOLEX INCORPORATED	
SEE CHART	DOCUMENT NO. SD-130010-003
SIZE C	SHEET NO. 1 OF 1
THIS DRAWING CONTAINS INFORMATION THAT IS PROPRIETARY TO MOLEX INCORPORATED AND SHOULD NOT BE USED WITHOUT WRITTEN PERMISSION	