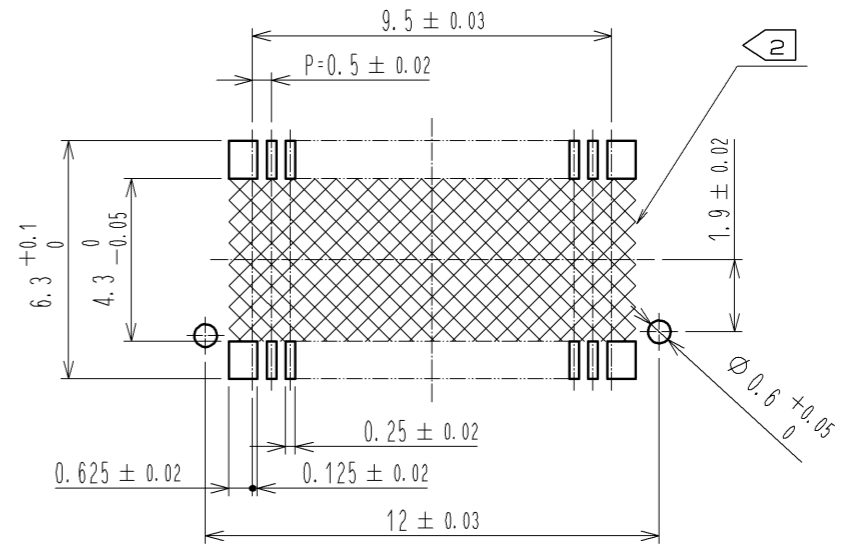
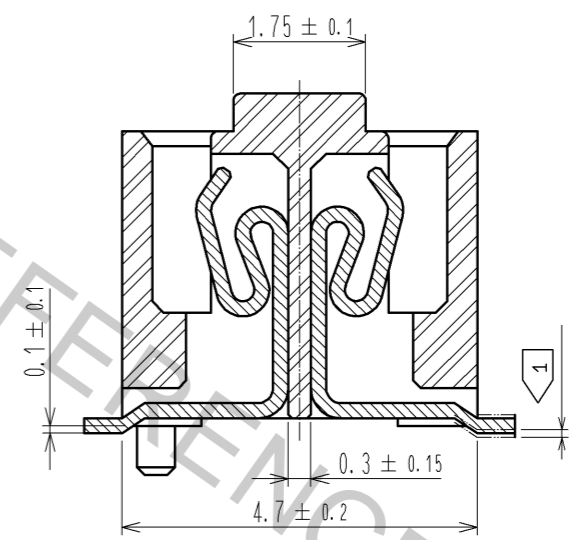


RECOMMENDED PATTERN

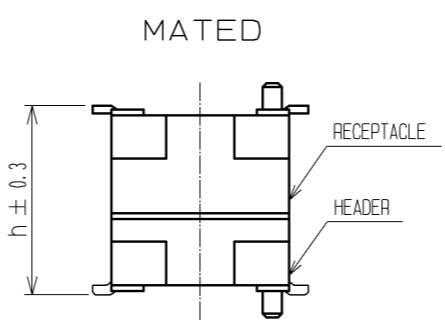


A-A (10:1)



- NOTES
- ①: LEAD CO-PLANARITY INCLUDE REINFORCED METAL FITTINGS SHALL BE 0.1mm MAX.
 - ②: WHEN A PART MARKED WITH HAS A PATTERN BUT NO RESIST ON IT. TAKE CARE TO PREVENT THE CONNECTOR FROM TOUCHING IT.

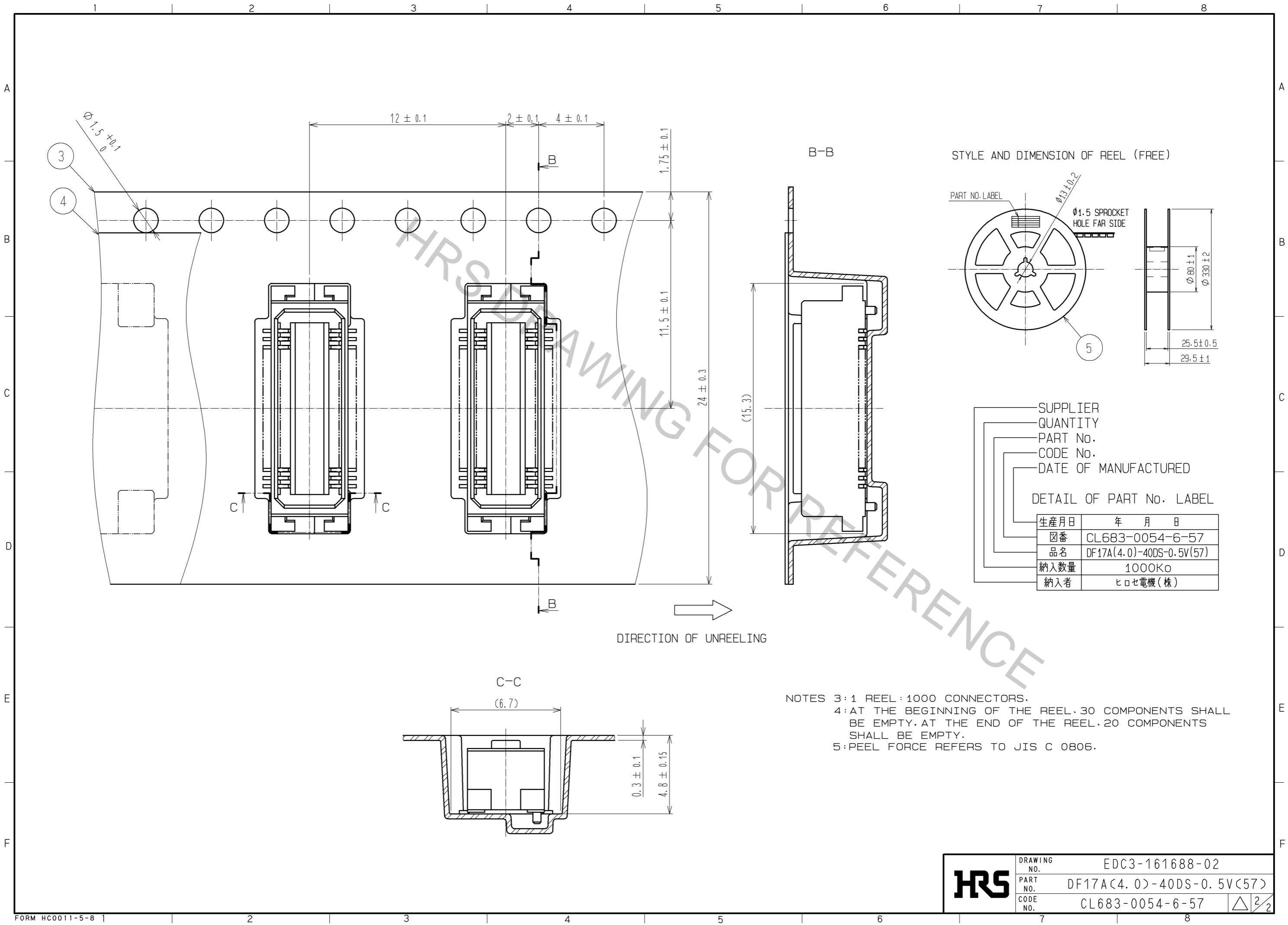
MATED HIGHT (h)	RECEPTACLE NO.
HEADER NO.	DF17A(4.0)-40DS-0.5V(57)
DF17#(2.0)-40DP-0.5V(57)	6
DF17#(4.0)-40DP-0.5V(57)	8



NO.	MATERIAL	FINISH	REMARKS	NO.	MATERIAL	FINISH	REMARKS
1	PHOSPHER BRONZE		CONTACT AREA:GOLD PLATED 0.1µm min LEAD AREA:TIN PLATED 1µm min UNDER PLATING:NICKEL PLATED 1µm min	5	PS		BLACK (PLASTIC REEL)
				4	POLYESTER		CLEAR (COVER TAPE)
				3	A-PET		CLEAR (EMBOSSED CARRIER TAPE)
				2	POLYAMIDE (PA6T)		WHITE BEIGE , UL94V-0

UNITS	SCALE	COUNT	DESCRIPTION OF REVISIONS	DESIGNED	CHECKED	DATE
mm	5 : 1	△	APPROVED : KH. IKEDA 08.11.20 CHECKED : TS. MIYAZAKI 08.11.20 DESIGNED : TY. YAMASAKI 08.11.19 DRAWN : TY. YAMASAKI 08.11.19			

DRAWING NO.	PART NO.	CODE NO.
EDC3-161688-02	DF17A(4.0)-40DS-0.5V(57)	CL683-0054-6-57



HRS	DRAWING NO.	EDC3-161688-02
	PART NO.	DF17A(4.0)-40DS-0.5V(57)
	CODE NO.	CL683-0054-6-57
		\triangle 2/2