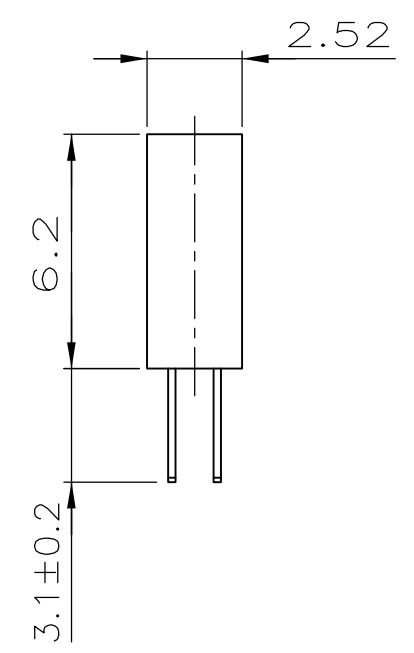
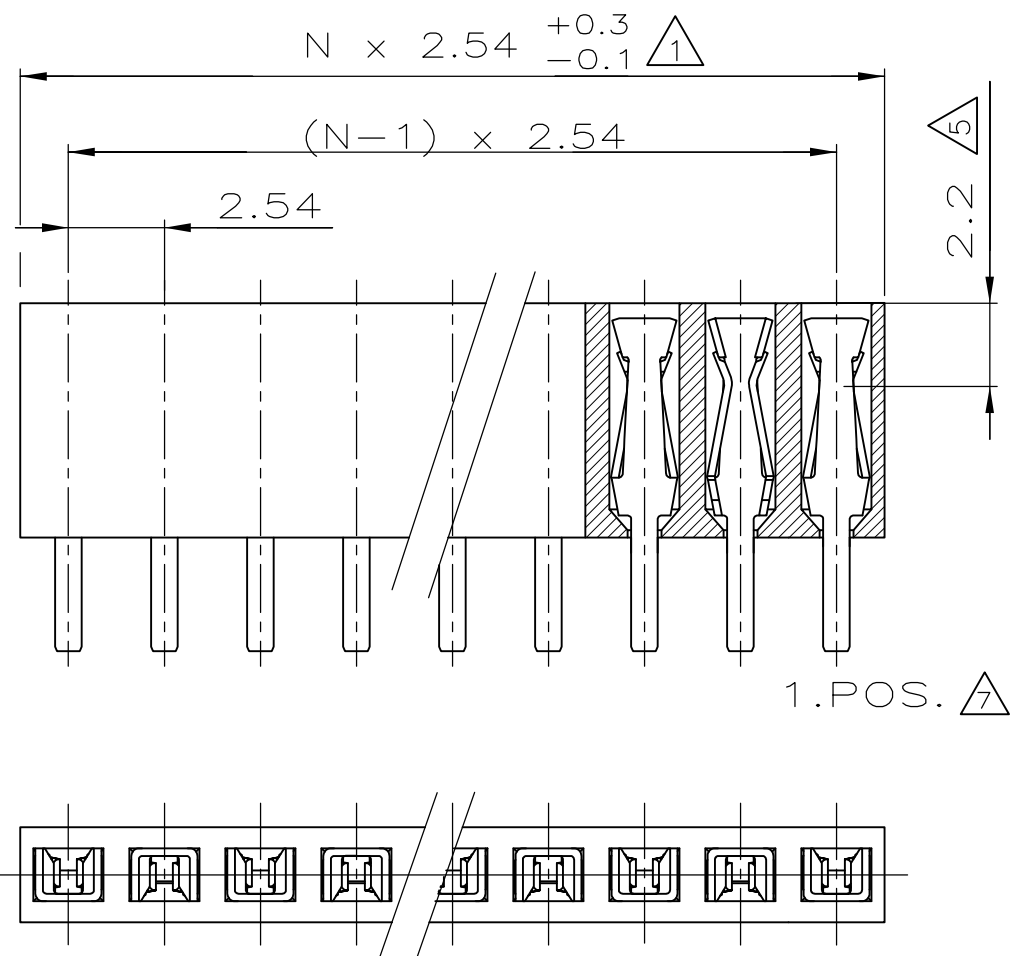


THIS DRAWING IS UNPUBLISHED. RELEASED FOR PUBLICATION
 © COPYRIGHT - By - ALL RIGHTS RESERVED.

LOC	DIST	REVISIONS					
		P	LTR	DESCRIPTION	DATE	DWN	APVD
-	-		K	HOUSING RESIN MATERIAL CHANGED	24DEC2013	TJ	JK

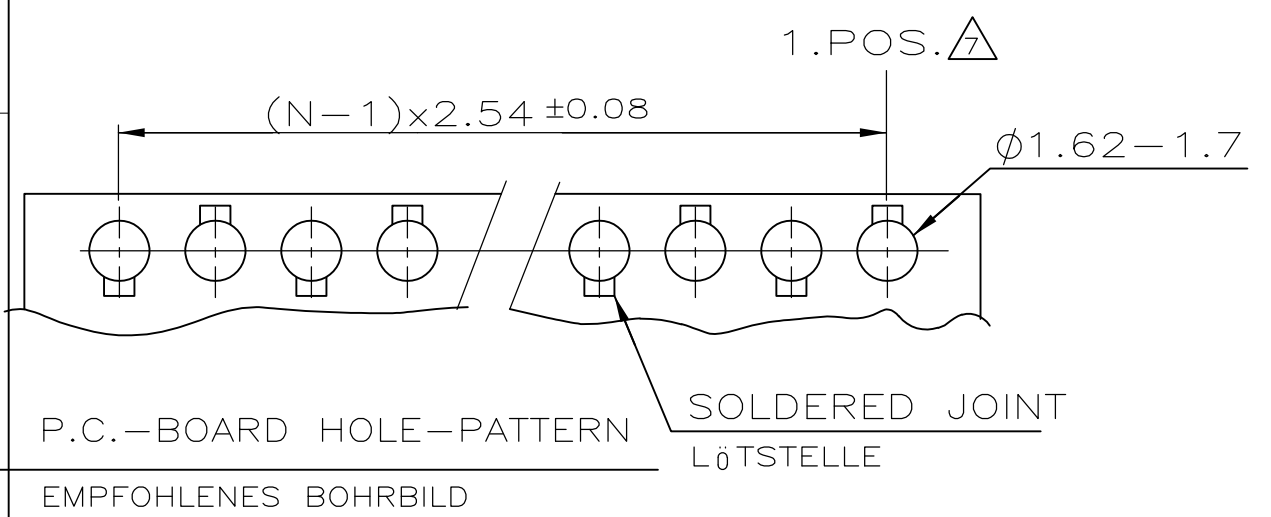


NOTES:

- 1. TO DETERMINE DIMENSIONS TAKE N = NO. OF POS.
 FOR EXAMPLE: 10 POS.: $N \times 2,54 = 25,4$ mm
 FOR ORDER NO. USE BASIC NO. + NO. OF POS.
 FOR EXAMPLE: 3 POS.= 215306-3 (SHORTEST VERSION)
 36 POS.= 3-215306-6 (LONGEST VERSION)
- 2. HOUSING MATERIAL: GREEN GLASSFILLED POLYESTER, UL 94V-0
 CONTACT MATERIAL: PHOSPHOR BRONZE.
- 3. PLATING: 2,5µm-4,0µm TIN OVER MIN 0,5µm NICKEL.
- 4. MATES WITH 0,63 SQUARE/ROUND MODU POSTS.
- 5. CONTACT-POINT.
- 6. RECOMMENDED P.C.BOARD-THICKNESS: 1,6mm.
- 7. PAY ATTENTION THE POSITION OF FIRST CONTACT
 LAGE DES ERSTEN KONTAKTS BEACHTEN
- 8. HV100 CONNECTOR PACKED IN ANTISTATIC BLISTER TRAY

POLZ.	L	BESTELL-NR.		
-	-	-	-	
2	5.08	215 306-2	OBSOLETE	
3	7.62	-3	OBSOLETE	
4	10.16	-4	OBSOLETE	
5	12.70	-5	OBSOLETE	
6	15.24	-6	OBSOLETE	
7	17.78	-7	OBSOLETE	
8	20.32	-8	OBSOLETE	
9	22.86	-9	OBSOLETE	
10	25.40	1-	-0	
11	27.94	1-	-1	
12	30.48	1-	-2	
13	33.02	1-	-3	OBSOLETE
14	35.56	1-	-4	
15	38.10	1-	-5	
16	40.64	1-	-6	
17	43.18	1-	-7	
18	45.72	1-	-8	
19	48.26	1-	-9	
20	50.80	2-	-0	OBSOLETE
21	53.34	2-	-1	
22	55.88	2-	-2	OBSOLETE
23	58.42	2-	-3	
24	60.96	2-	-4	
25	63.50	2-	-5	
26	66.04	2-	-6	
27	68.58	2-	-7	
28	71.12	2-	-8	
29	73.66	2-	-9	
30	76.20	3-	-0	
31	78.74	3-	-1	
32	81.28	3-	-2	
33	83.82	3-	-3	
34	86.36	3-	-4	OBSOLETE
35	88.90	3-	-5	
36	91.44	3-	215 306-6	

VIEW TO PCB-SOLDER SIDE
 ANSICHT AUF LEITERPLATTEN-LÖTSEITE



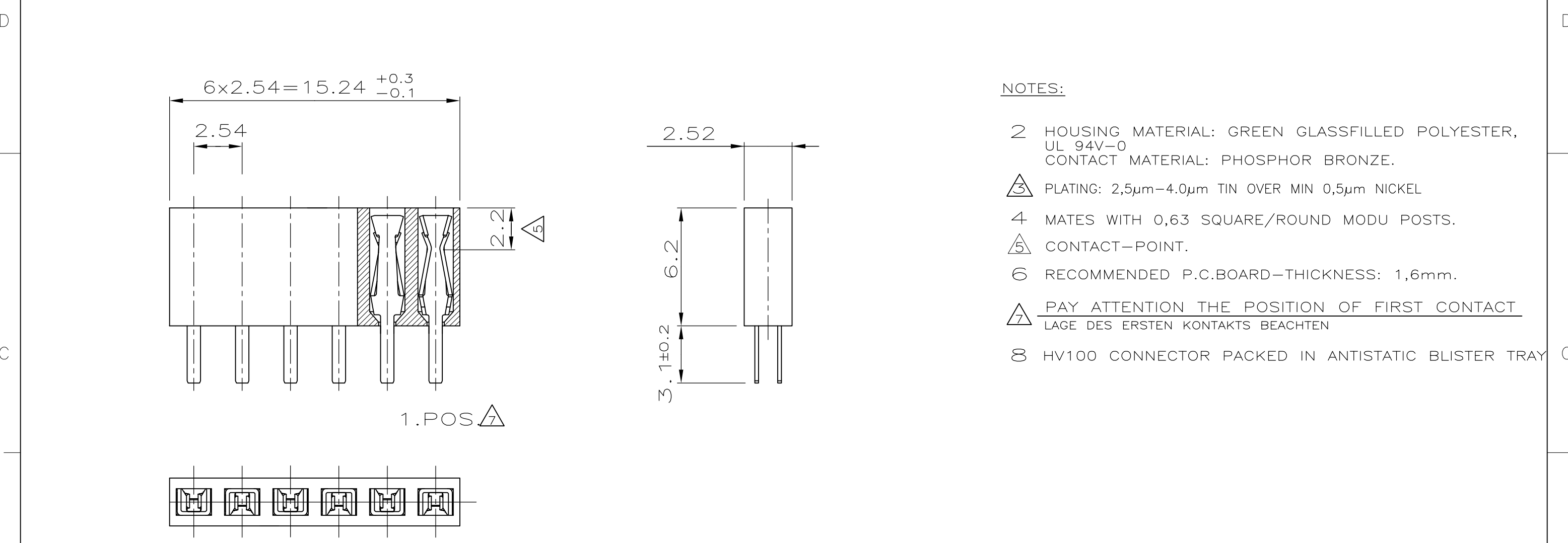
RELEASED FOR PUBLICATION 14.8.1986

VERWENDET FÜR
 E 92-9803

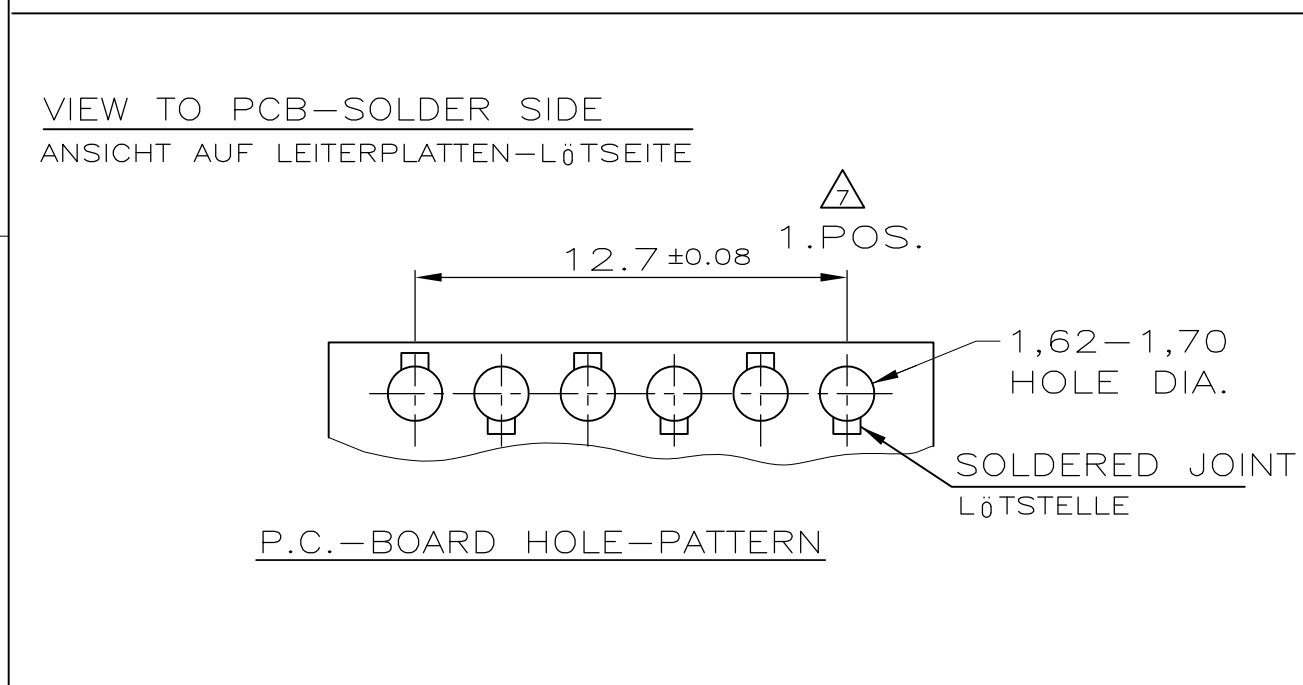
THIS DRAWING IS A CONTROLLED DOCUMENT.		DWN	20.05.86		
		CHK	L.V.D.HEYDEN		
DIMENSIONS: mm		TOLERANCES UNLESS OTHERWISE SPECIFIED: ±0.1mm		TE Connectivity HV 100 VERTICAL CONNECTOR SINGLE ROW, 6,2mm HEIGHT, BOTTOM/TOP ENTRY, TIN.	
		APVD	-		
		PRODUCT SPEC	108-19056		
		APPLICATION SPEC	-		
MATERIAL		FINISH	WEIGHT	RESTRICTED TO	
SEE NOTE 2		SEE NOTE 3	-	-	
CUSTOMER DRAWING		SIZE	CAGE CODE	DRAWING NO	
		A3	00779	C-215306	
		SCALE	SHEET	REV	
		5:1	1 OF 4	K	

THIS DRAWING IS UNPUBLISHED. RELEASED FOR PUBLICATION
 © COPYRIGHT - By - ALL RIGHTS RESERVED.

LOC	DIST	REVISIONS					
		P	LTR	DESCRIPTION	DATE	DWN	APVD
-	-	-	-	SEE SHEET 1	-	-	-



5-215 306-6 WIE GEZEICHNET
 NUR FÜR FA. PHILIPS



THIS DRAWING IS A CONTROLLED DOCUMENT.		DWN	15.02.89	
		A.HO		
		CHK		
		APVD		
		PRODUCT SPEC	108-19056	
		APPLICATION SPEC		
		WEIGHT	-	
MATERIAL		FINISH		
SEE NOTE 2		SEE NOTE 3		
		SIZE	CAGE CODE	DRAWING NO
		A3	00779	C-215306
		CUSTOMER DRAWING		RESTRICTED TO
		SCALE	SHEET	REV
		5:1	2 OF 4	K

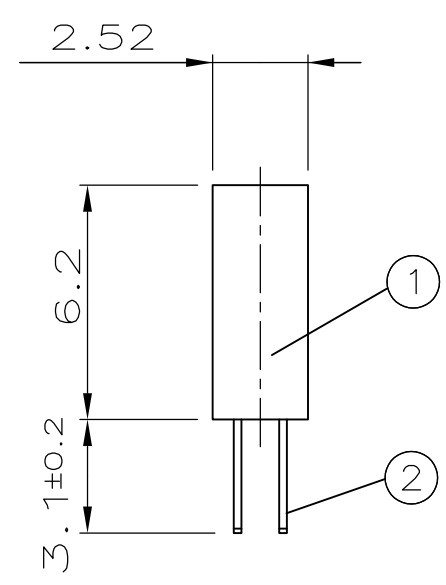
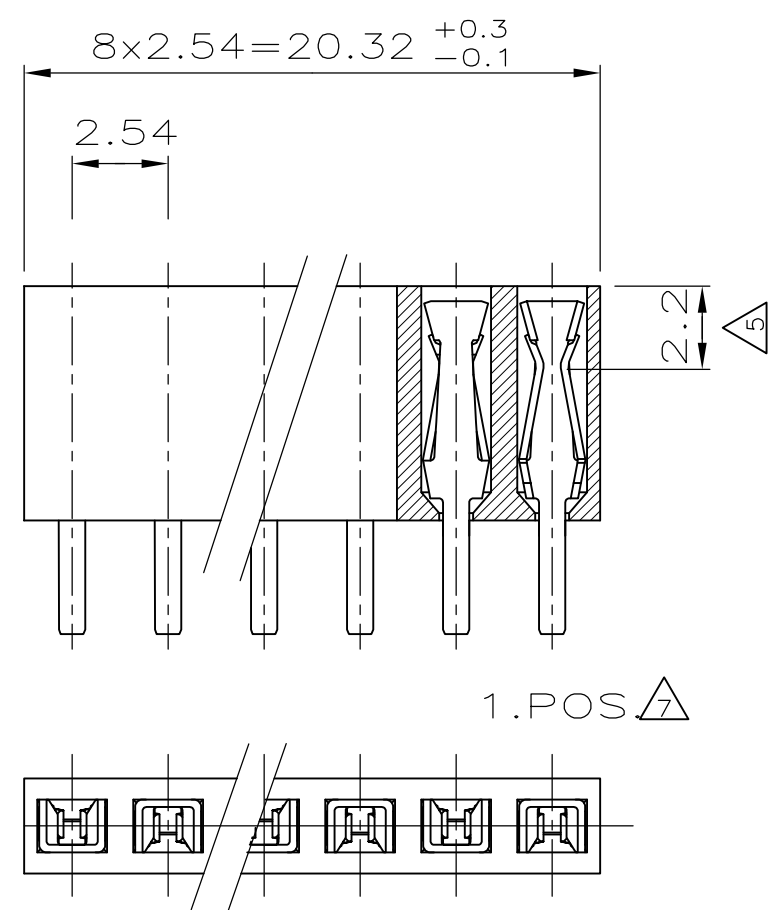
VERWENDET FÜR
 E 92-9803



HV 100 VERTICAL CONNECTOR
 SINGLE ROW, 6,2mm HEIGHT,
 BOTTOM/TOP ENTRY, TIN, 6 POS.

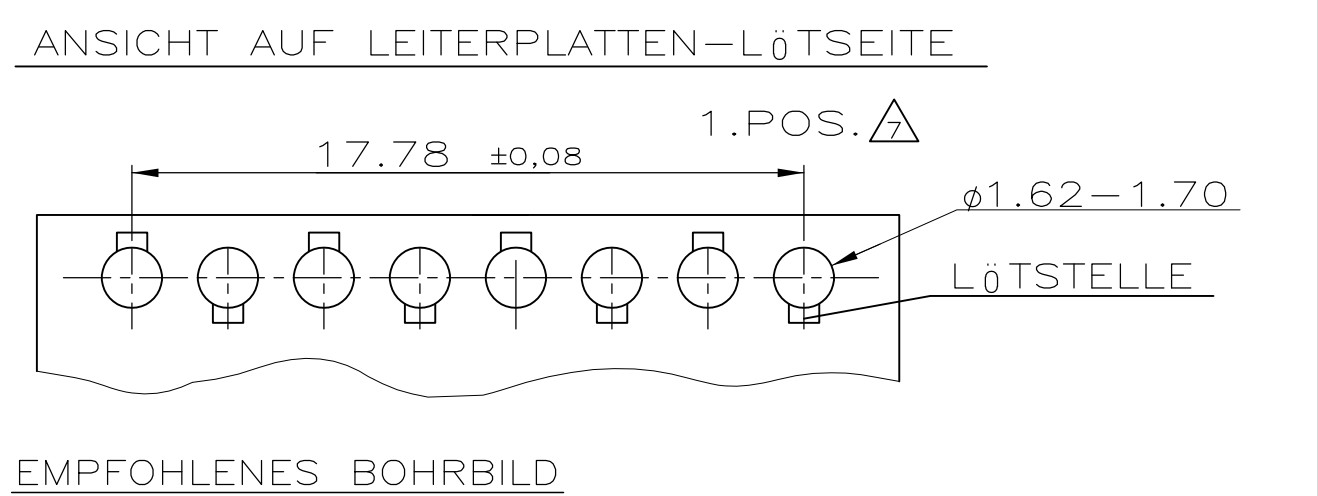
THIS DRAWING IS UNPUBLISHED. RELEASED FOR PUBLICATION
 © COPYRIGHT - By - ALL RIGHTS RESERVED.

LOC	DIST	REVISIONS					
		P	LTR	DESCRIPTION	DATE	DWN	APVD
-	-	-	-	SEE SHEET 1	-	-	-



NOTES:

- 2. HOUSING MATERIAL: GREEN GLASSFILLED POLYESTER, UL 94V-0
CONTACT MATERIAL: PHOSPHOR BRONZE.
- 3. PLATING: 2,5µm-4,0µm TIN OVER MIN 0,5µm NICKEL
- 4. MATES WITH 0,63 SQUARE/ROUND MODU POSTS.
- 5. CONTACT-POINT.
- 6. RECOMMENDED P.C.BOARD-THICKNESS: 1,6mm.
- 7. PAY ATTENTION THE POSITION OF FIRST CONTACT LAGE DES ERSTEN KONTAKTS BEACHTEN
- 8. HV100 CONNECTOR PACKED IN ANTISTATIC BLISTER TRAY
- 9. OBSOLETE PARTS: OBSOLETE CIS STREAMLINING PER D.RENAUD/D.SINISI



9-5-215-306-8 WIE GEZEICHNET

NUR FÜR FA. VDO

ZEICHNUNG GÜLTIG AB KW 06/96

PART NUMBER	POS.	NO.	PART DESCRIPTION	MATERIAL	FINISH
5-215-306-8	2	8	HV 100 KONTAKT	Cu Sn	3
	1	1	HV 100 GEHÄUSE	PBTP GV	GRÜN

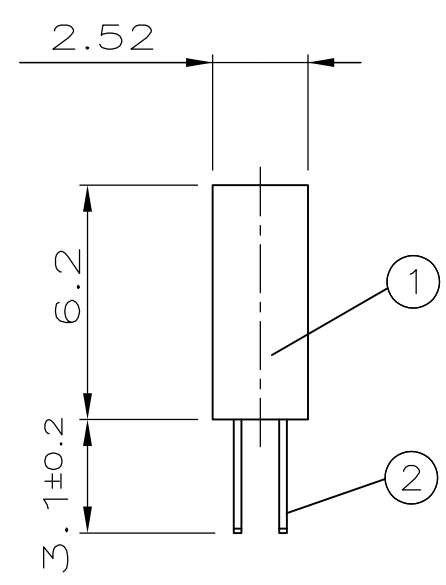
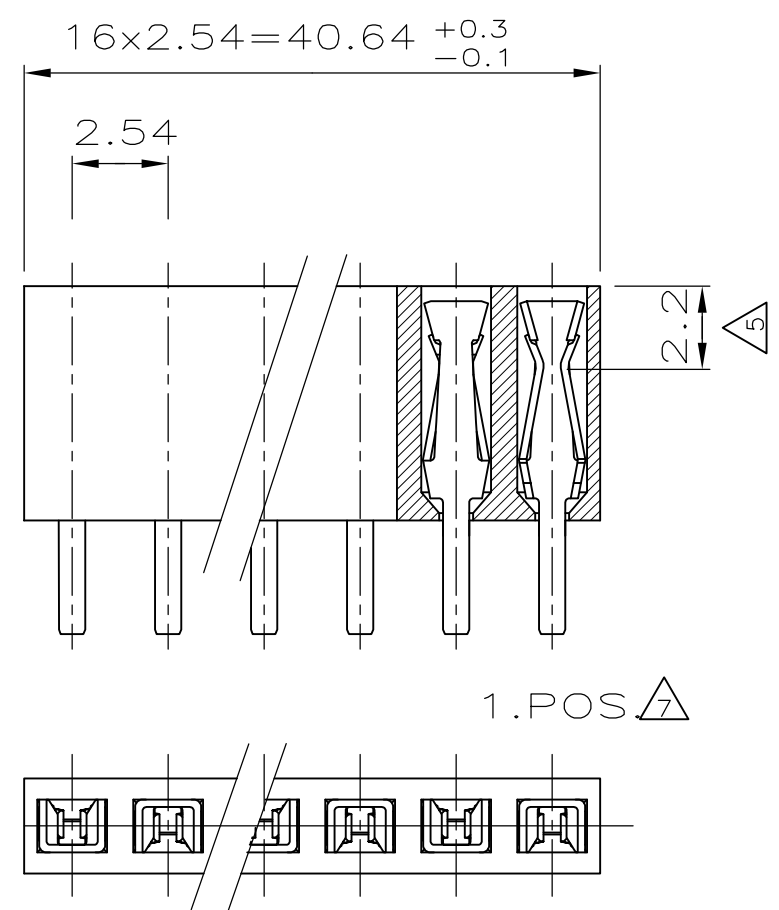
THIS DRAWING IS A CONTROLLED DOCUMENT.

DIMENSIONS:	TOLERANCES UNLESS OTHERWISE SPECIFIED:
mm	±0.1mm
0 PLC	± -
1 PLC	± -
2 PLC	± -
3 PLC	± -
4 PLC	± -
ANGLES	± -
MATERIAL	FINISH
SEE TABLE	SEE TABLE

DWN	A.HO	19.03.90	STE TE Connectivity
CHK	M.SCHAARSCHMIDT	16.09.92	
APVD	-	-	
PRODUCT SPEC	108-19056		NAME
APPLICATION SPEC	-		HV 100 VERTICAL CONNECTOR SINGLE ROW, 6,2mm HEIGHT, BOTTOM/TOP ENTRY, TIN, 8 POS.
WEIGHT	-	-	SIZE
CUSTOMER DRAWING	SCALE 5:1		CAGE CODE
	SHEET 3 OF 4		DRAWING NO
	REV K		RESTRICTED TO
			A3 00779 C-215306

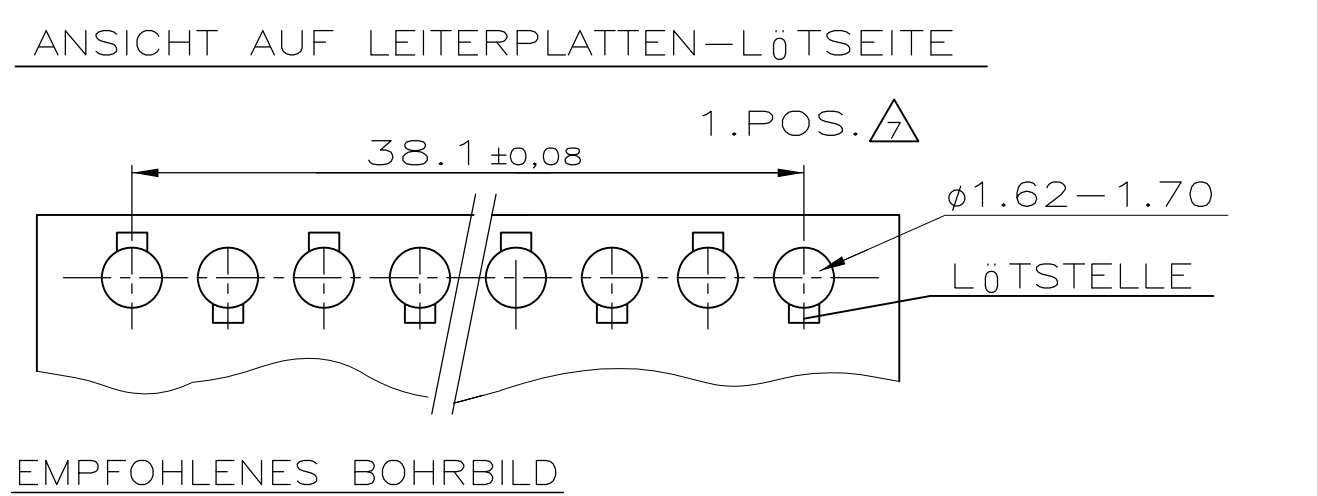
THIS DRAWING IS UNPUBLISHED. RELEASED FOR PUBLICATION
 © COPYRIGHT - By - ALL RIGHTS RESERVED.

LOC	DIST	REVISIONS					
		P	LTR	DESCRIPTION	DATE	DWN	APVD
-	-	-	-	SEE SHEET 1	-	-	-



NOTES:

- 2 HOUSING MATERIAL: GREEN GLASSFILLED POLYESTER, UL 94V-0
CONTACT MATERIAL: PHOSPHOR BRONZE.
- 3 PLATING: 2,5µm-4.0µm TIN OVER MIN 0,5µm NICKEL
- 4 MATES WITH 0,63 SQUARE/ROUND MODU POSTS.
- 5 CONTACT-POINT.
- 6 RECOMMENDED P.C.BOARD-THICKNESS: 1,6mm.
- 7 PAY ATTENTION THE POSITION OF FIRST CONTACT LAGE DES ERSTEN KONTAKTS BEACHTEN
- 8 HV100 CONNECTOR PACKED IN ANTISTATIC BLISTER TRAY
- 9 OBSOLETE PARTS: OBSOLETE CIS STREAMLINING PER D.RENAUD/D.SINISI



9-6-215-306-6 WIE GEZEICHNET

NUR FÜR FA. DORNIER

ZEICHNUNG GÜLTIG AB KW 06/96

PART NUMBER	POS.	NO.	PART DESCRIPTION	MATERIAL	FINISH
6-215-306-6	2	16	HV 100 KONTAKT	Cu Sn	3
	1	1	HV 100 GEHÄUSE	PBTP GV	GRÜN

THIS DRAWING IS A CONTROLLED DOCUMENT.

DIMENSIONS:	TOLERANCES UNLESS OTHERWISE SPECIFIED:
mm	±0.1mm
0 PLC	± -
1 PLC	± -
2 PLC	± -
3 PLC	± -
4 PLC	± -
ANGLES	± -
MATERIAL	FINISH
SEE TABLE	SEE TABLE

DWN	A.HO	28.06.91	STE TE Connectivity
CHK	M.SCHAARSCHMIDT	28.06.91	
APVD	-	-	NAME
PRODUCT SPEC	108-19056	-	HV 100 VERTICAL CONNECTOR SINGLE ROW, 6,2mm HEIGHT, BOTTOM/TOP ENTRY, TIN, 16 POS.
APPLICATION SPEC	-	-	SIZE
WEIGHT	-	-	CAGE CODE
CUSTOMER DRAWING		SCALE	DRAWING NO
		5:1	A3 00779 C-215306
		SHEET	RESTRICTED TO
		4 OF 4	-
		REV	K