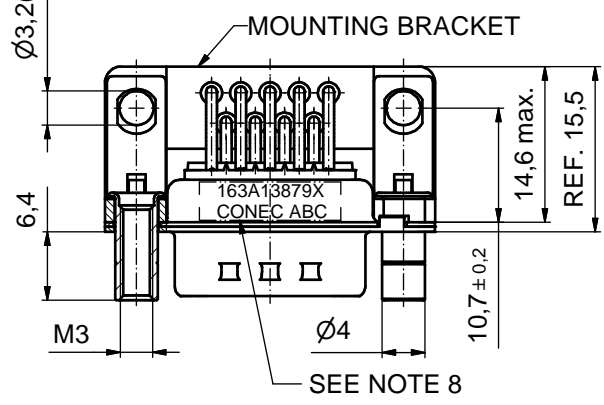
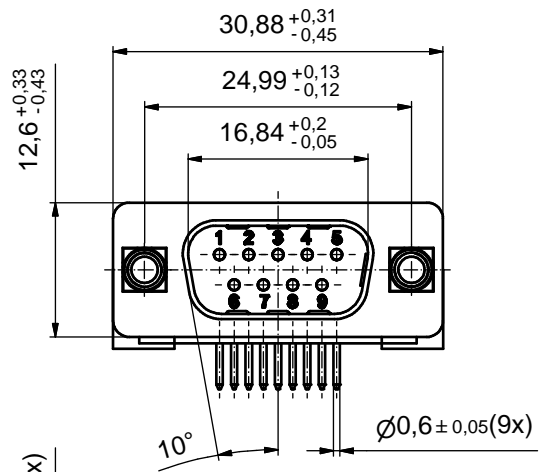
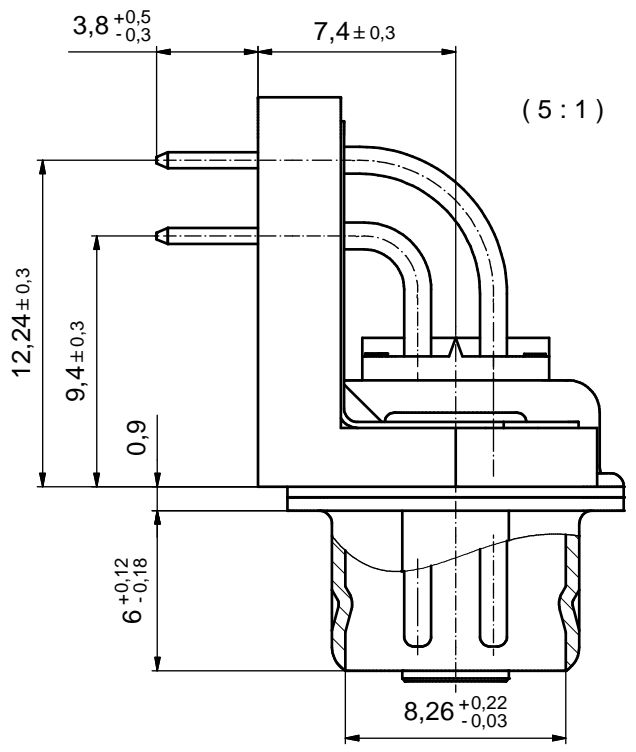
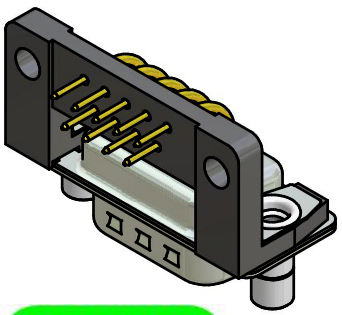


P.C.B. HOLE DRILLINGS
(P.C.B. TOP SIDE)



SEE NOTE 8



Directive 2002/95/EC
"RoHS"
Compliant

NOTES:

- METALSHELLS: STEEL; min. 315µm TIN over 40-80µm NICKEL
- INSULATORS: PBT GF UL 94 V-0, BLACK
- CONTACTS: COPPER ALLOY
PLATING: 8µm HARD GOLD over min. 50µm NICKEL
- MOUNTING BRACKET: PBT GF UL 94 V-0; BLACK
- THREADED LOCK: COPPER ALLOY; min. 200µm TIN over 80µm NICKEL
- GROUNDING BRACKETS: COPPER ALLOY; TIN PLATED
- MAXIMUM TORQUE VALUE FOR THREAD: 6 in.LB
- CONNECTOR IS PART MARKED: 163A13879X CONEC ABC

APPROVAL # FREIGABE # DEBLOCAGE # AUTORIZACION # APPROVAL	
CUSTOMER APPROVAL DATE:	
NAME:	TITLE:
COMPANY NAME:	
APPROVAL # FREIGABE # DEBLOCAGE # AUTORIZACION # APPROVAL	

THIS DRAWING MAY NOT BE COPIED OR REPRODUCED IN ANY WAY AND MAY NOT BE PASSED ON TO A THIRD PARTY WITHOUT WRITTEN PERMISSION. OWNERSHIP AND COPYRIGHT OF CONEC GmbH				tolerance		dim. in mm	scale: 2:1 (5:1)		
DO NOT ALTER CAD DRAWING BY HAND				date	name		material: SEE NOTES		
rev.	description	date	name	drawn	03.09.2009	Sonnenberg	title:		
a	Origin			appd.	03.09.2009	Koch	D-SUB MALE 90°		
				norm			9pos. SOLDER PIN ANGLED 0,370inch		
				d-old			threaded lock, mounting bracket, grounding bracket		
							dwg no:	Inventor 10	DIN-A3
								16K1A2536	sh: 1
							part no:	163A13879X	

