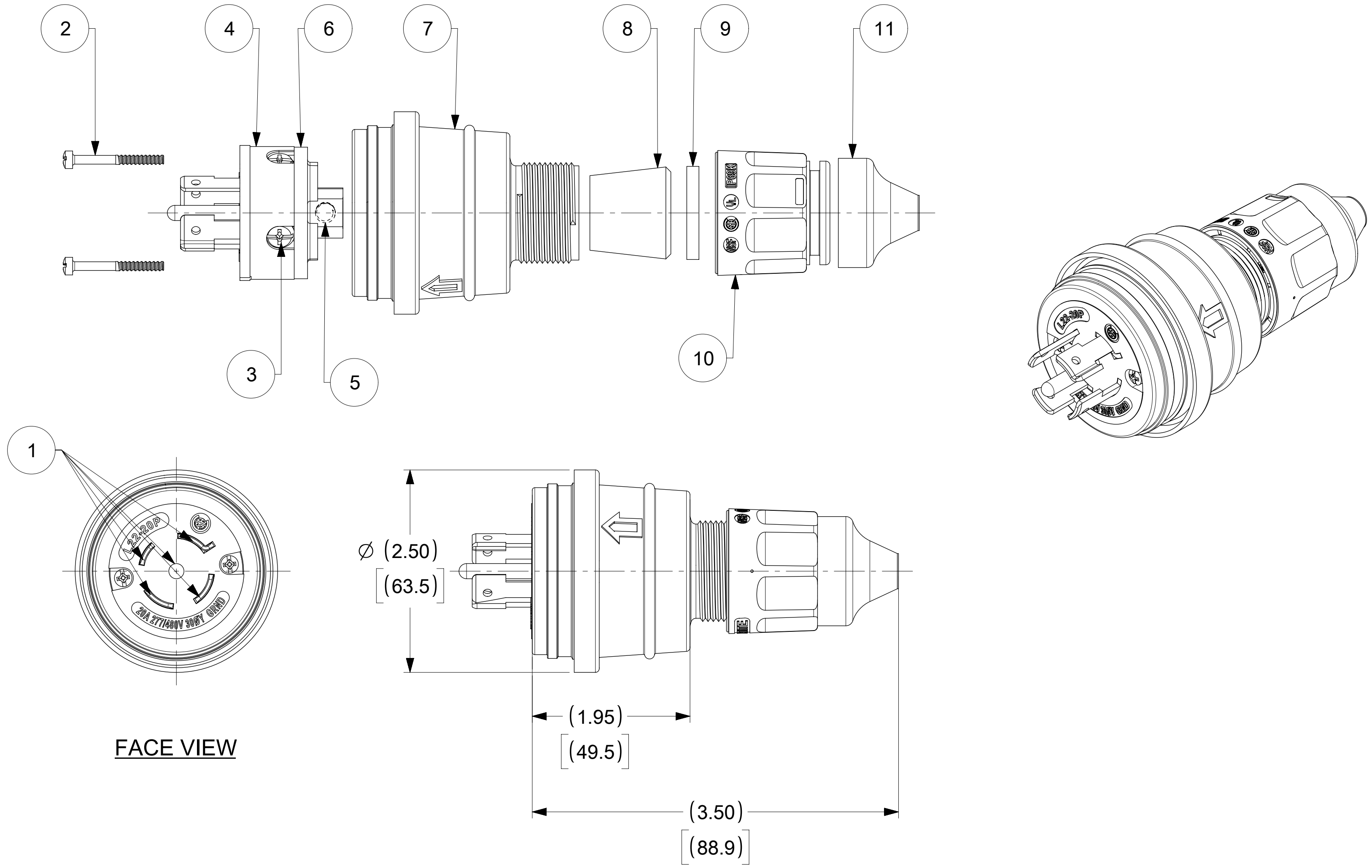


ORDER NO.	WOODHEAD NO.	COLOR
130147-0033	26W82	YELLOW



FACE VIEW

ITEM NO.	DESCRIPTIONS	MATERIAL	QTY.
1	BLADE	BRASS, NICKEL PLATED	5
2	RETAINING SCREWS	STAINLESS STEEL	2
3	CLAMP AND TERMINAL SCREW ASSY	BRASS, ZINC PLATED	4
4	INSERT	NYLON	1
5	SET SCREWS	STAINLESS STEEL	1
6	TERMINAL COVER	POLYCARBONATE	1
7	HOUSING	SILICON WITH NYLON THREAD	1
8	GROMMET	RUBBER	3
9	FRICTION RING	NYLON	1
10	COMPRESSION NUT	NYLON	1
11	CABLE GLOVE	SILICONE	1

NOTE:
1. ACCEPT CABLE RANGE FROM .437" TO .750"

SYMBOLS		THIS DRAWING CONTAINS INFORMATION THAT IS PROPRIETARY TO MOLEX ELECTRONIC TECHNOLOGIES, LLC AND SHOULD NOT BE USED WITHOUT WRITTEN PERMISSION		CURRENT REV DESC: RELEASED	
▽ = 0	INCH[MM]	SCALE	NTS	<p>molex</p> <p>WATERTITE PLUG 4P5W L22-20</p> <p>PRODUCT CUSTOMER DRAWING</p> <p>DOCUMENT NUMBER: 1301470033</p> <p>DOC TYPE: PSD</p> <p>DOC PART: 000</p> <p>REVISION: A</p> <p>SHEET NUMBER: 1 OF 1</p>	
▽ = 0	GENERAL TOLERANCES (UNLESS SPECIFIED)		EC NO: 616442		
▽ = 0	MM	INCH	DRWN: DSOPPIN 2019/01/10		
▽ = 0	4 PLACES ±	±	CHK'D: DNGUYEN62 2019/04/30		
▽ = 0	3 PLACES ±	±	APPR: BCAPPS 2019/05/08		
▽ = 0	2 PLACES ±	±	INITIAL REVISION:		
▽ = 0	1 PLACE ±	±	DRWN: DSOPPIN 2019/01/10		
▽ = 0	0 PLACES ±	±	APPR: BCAPPS 2019/05/08		
▽ = 0	ANGULAR TOL ± °	THIRD ANGLE PROJECTION	DRAWING SERIES		
▽ = 0	DRAFT WHERE APPLICABLE MUST REMAIN WITHIN DIMENSIONS	C-SIZE	130147		