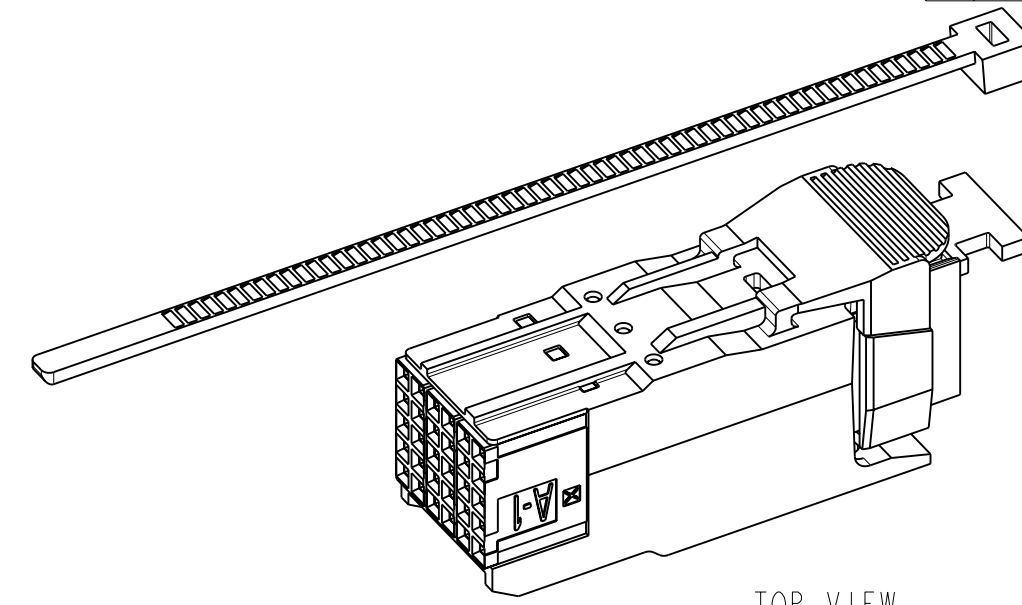
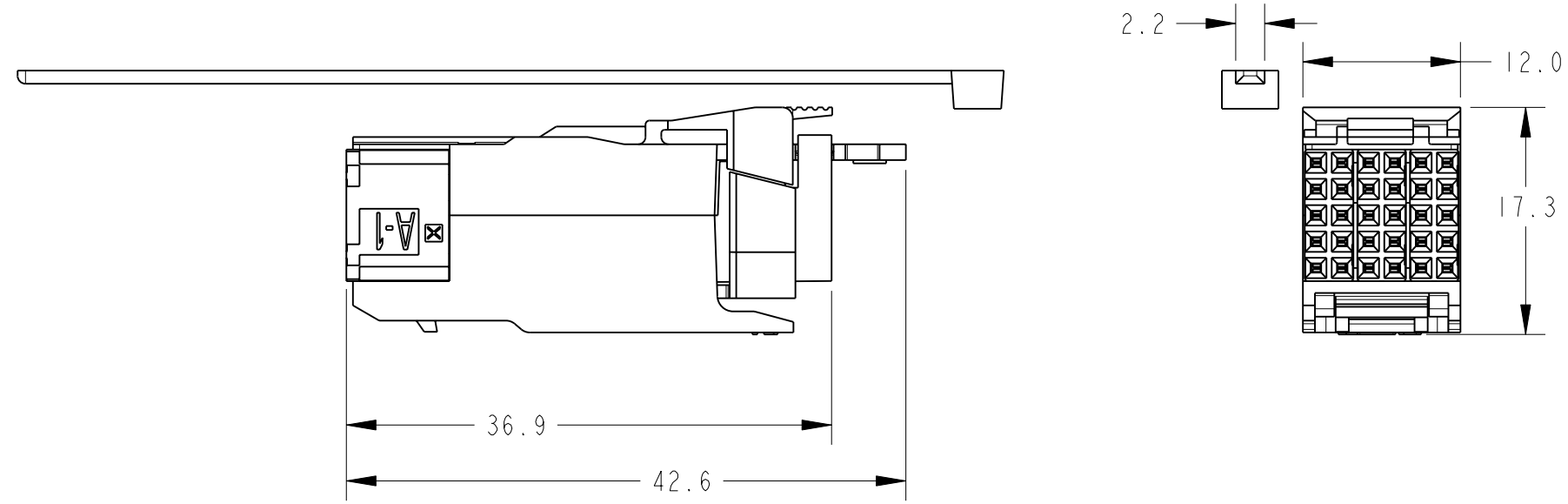
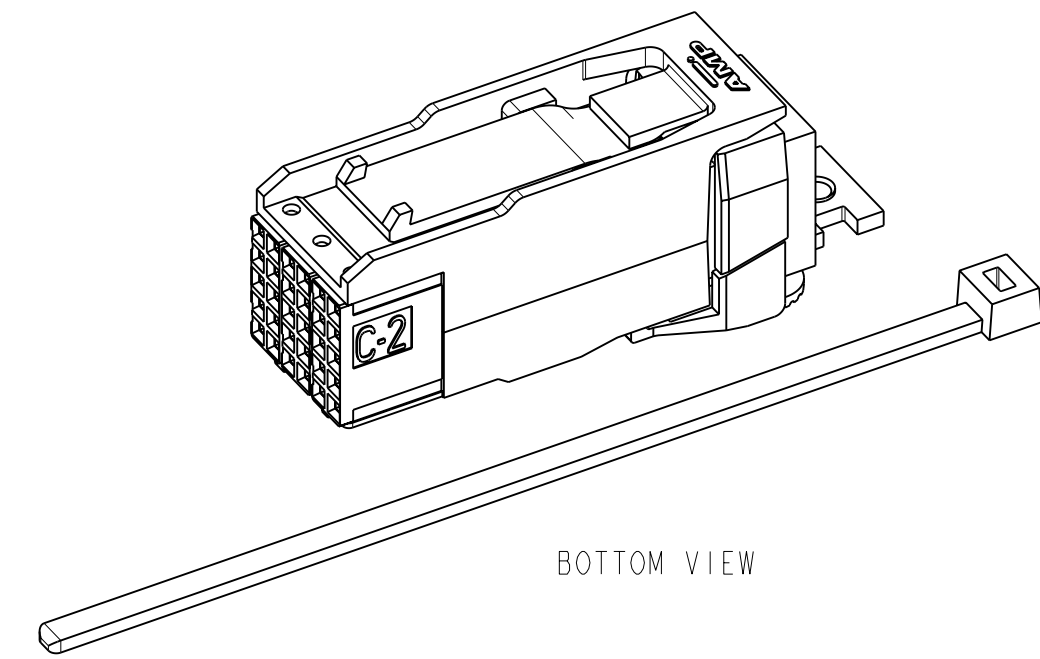


THIS DRAWING IS UNPUBLISHED. RELEASED FOR PUBLICATION DATE: - 2011
 © COPYRIGHT 2011 ALL RIGHTS RESERVED.

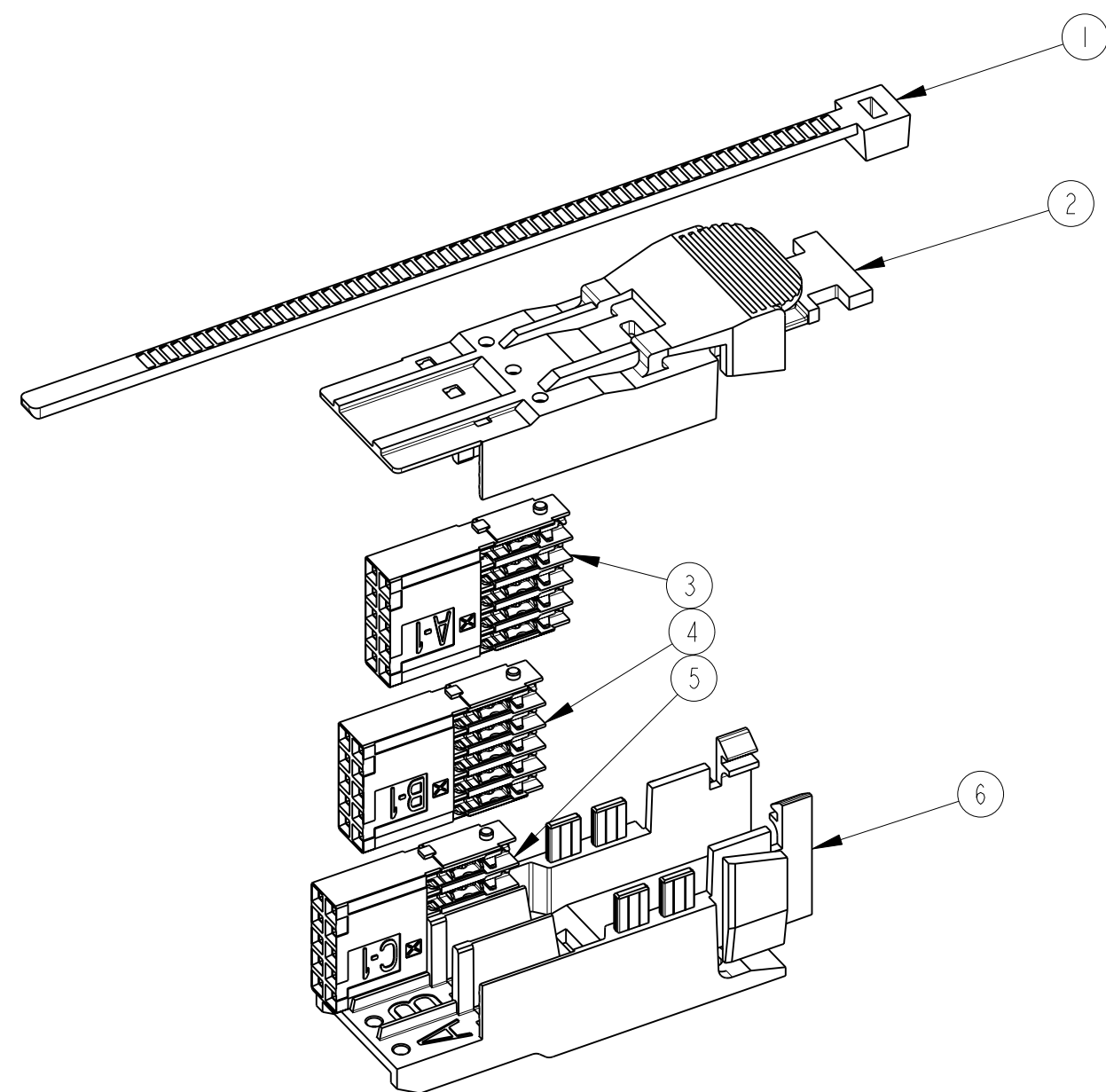
LOC		DIST		REVISIONS			
P	LTR	DESCRIPTION	DATE	DWN	APVD		
C		ECR-06-015204	22JUN2006	-	JB		
CI		ECR-10-026542	25MAY2011	KK	HMR		



TOP VIEW



BOTTOM VIEW



NOTES

1. THE CONNECTOR CONTAINS 3 MODULES OF 2X5 CONTACTS FORMING A 2MM CONTACT GRID.
2. THE CONNECTOR MATES WITH Z-PACK 2mm FUTUREBUS+ RECEPTACLE ASSEMBLIES ACCORDING TO SPECIFICATION IEC61076-4-104
3. MATERIALS:
 MODULE HOUSING: LIQUID CRYSTAL POLYMER
 TOP COVER, CABLE TIE: POLYAMIDE
 SIGNAL CONTACT: PHOSPHOR BRONZE
 BOTTOM COVER SUBASSY :
 BOTTOM COVER : POLYAMIDE
 LATCH : LIQUID CRYSTAL POLYMER
4. PLATING OF SIGNAL CONTACTS:
 2.0 µm min. GOLD OVER 1.25 µm min. NICKEL IN CONTACT AREA.
 1.0 µm min. TIN OVER 1.25 µm min. NICKEL IN TERMINATION AREA.
5. PACKAGING PER COMPONENT: BULK OF 100 PIECES.
 CONNECTOR KITS ARE SUPPLIED IN QUANTITY OF 500 PIECES PER SHIPPING BOX.
6. 7.5 MM. MAX. OUTER CABLE DIAMETER.

OBSELETE	AWG 26-24	4	338919-1
	AWG 30-26		338919-1
	WIRE SIZE		PART NUMBER

QTY	DESCRIPTION	ITEM NO.
1	BOTTOM COVER SUBASSY	6
1	MODULE C1/C2	5
1	MODULE B1/B2	4
1	MODULE A1/A2	3
1	TOP COVER	2
1	CABLE TIE	1

THIS DRAWING IS A CONTROLLED DOCUMENT.		DWN V.KOUTSOUMPEA 20 SEP 99	TE Connectivity	
DIMENSIONS: mm		CHK B.MOOLJ 20 NOV 00		
TOLERANCES UNLESS OTHERWISE SPECIFIED:		APVD -	NAME Z-PACK 2mm FB+ UNSHIELDED CABLE CONNECTOR 30 POS. KIT	
0 PLC ±		PRODUCT SPEC 108-19196	RESTRICTED TO	
1 PLC ±		APPLICATION SPEC 114-19047	SIZE A2	CAGE CODE 00779
2 PLC ±		WEIGHT -	DRAWING NO 338919	REV C1
3 PLC ±		CUSTOMER DRAWING	SCALE 2:1	SHEET 1
4 PLC ±			OF 1	
ANGLES ±				
FINISH				