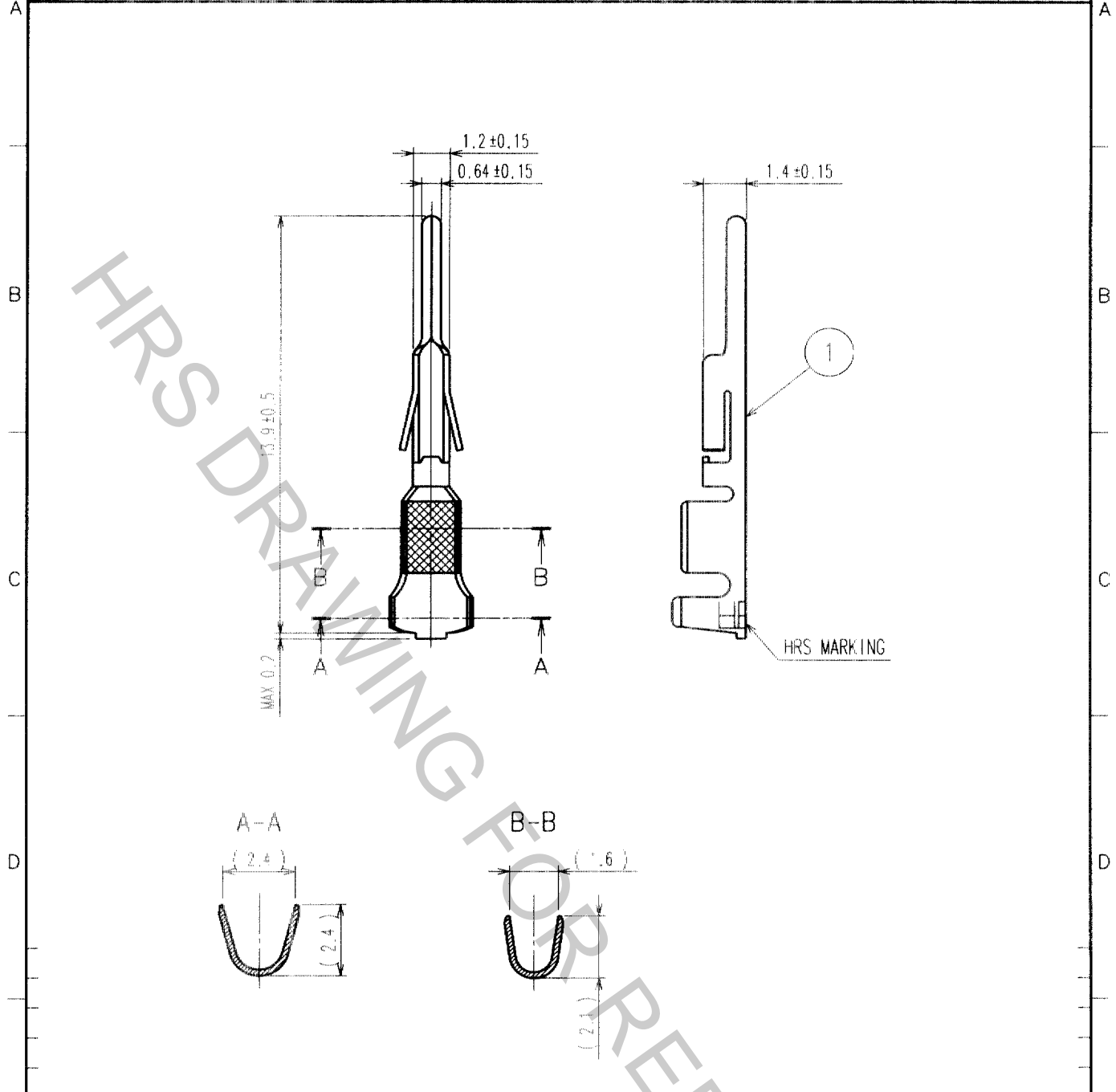


1	2	3	4						
COUNT	DESCRIPTION OF REVISIONS	BY	CHKD	DATE	COUNT	DESCRIPTION OF REVISIONS	BY	CHKD	DATE
△					△				
△					△				
△					△				



NOTE 1. APPLICABLE CABLE : AWG20-22

NO.	MATERIAL	FINISH, REMARKS	NO.	MATERIAL	FINISH, REMARKS
			1	PHOSPHOR BRONZE	TIN PLATED

CODE NO. (OLD)	DRAWN	DESIGNED	CHECKED	APPROVED	RELEASED
	S. Haro	W. Fukuchi	C. Hanami	K. Katayama	
	'99.11.10	'99.11.12	'99.11.12	'99.11.12	

SACLE 5 : 1 UNITS mm	DRAWING NO.	PART NO.
	EDC4-020432	DF1B-2022PC
HRS HIROSE ELECTRIC CO., LTD.	CODE NO.	1/1
	CL541-0260-8	

TO