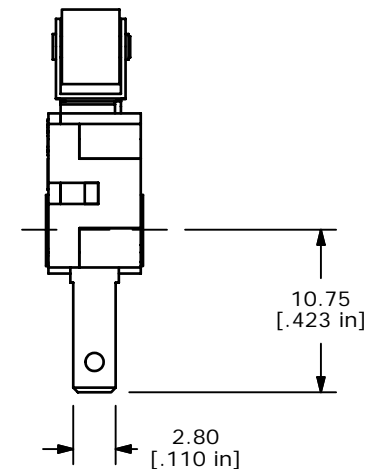
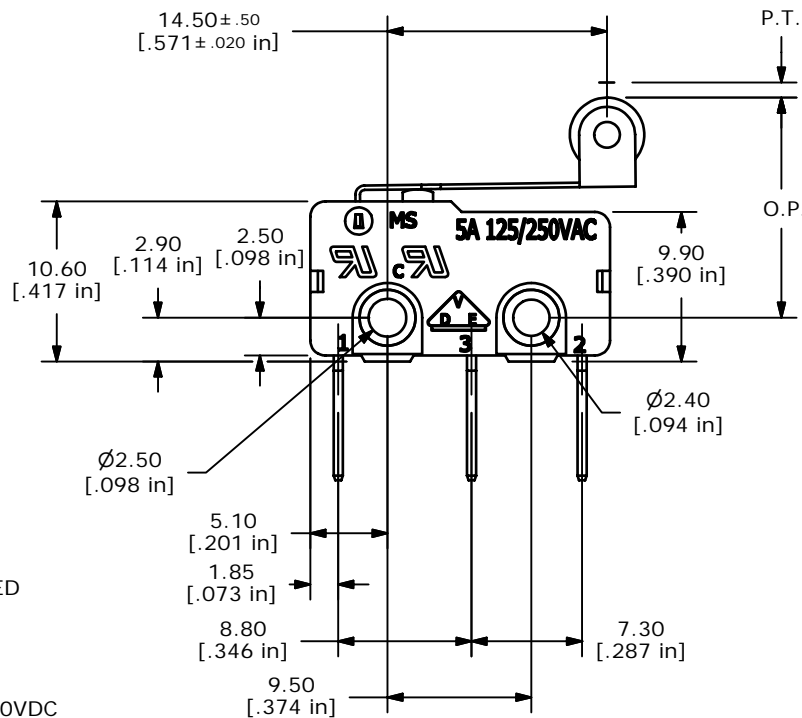
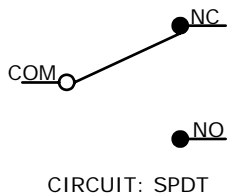


ISOMETRIC

| O.P. (MM) | P.T. (MM) |
|-----------|-----------|
| 14.9±1.0  | 4.0 MAX   |

O.P. = OPERATING POINT  
P.T. = PRE-TRAVEL



NOTES:

1. ALL DIMENSIONS IN MM [INCH]
2. GENERAL TOLERANCE: X.X=±0.4  
X.XX=±0.25
3. RATING: 5A @125/250VAC UL, CUL, VDE APPROVED
- ▲4. OPERATING FORCE: 65±25 GRAMS
5. OPERATING TEMP: -25°C TO 85°C
6. ELECTRICAL LIFE: 50,000 CYCLES MIN.
7. MECHANICAL LIFE: 1,000,000 CYCLES TYP.
8. INSULATION RESISTANCE: 100 MEGA-OHMS @ 500VDC
9. DIELECTRIC STRENGTH: 1000VAC 1 MINUTE (INITIAL VALUE)
10. CONTACT RESISTANCE: 100 MILLI-OHMS MAX.
11. 2002/95/EC (ROHS) COMPLIANT
12. ▲ DENOTES CRITICAL PARAMETER.



TITLE MS0850505F065C1A

|     |        |                         |         |    |
|-----|--------|-------------------------|---------|----|
| A   | 17310  | RELEASED FOR PRODUCTION | 5/23/07 | TN |
| REV | PCR NO | DESCRIPTION             | DATE    | BY |

|       |           |    |         |     |
|-------|-----------|----|---------|-----|
| SCALE | DATE      | DR | DWG     | REV |
| 2:1   | 5/23/2007 | TN | Q970080 | A   |

THE INFORMATION CONTAINED IN THIS DOCUMENT IS PROPRIETARY TO E-SWITCH AND IS NOT TO BE COPIED OR TRANSFERRED