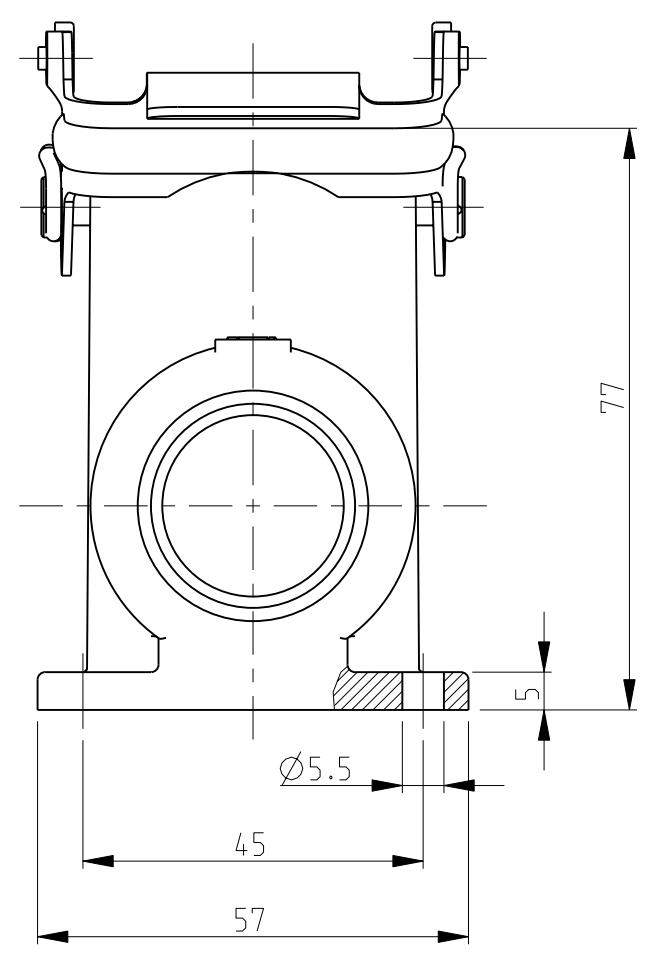
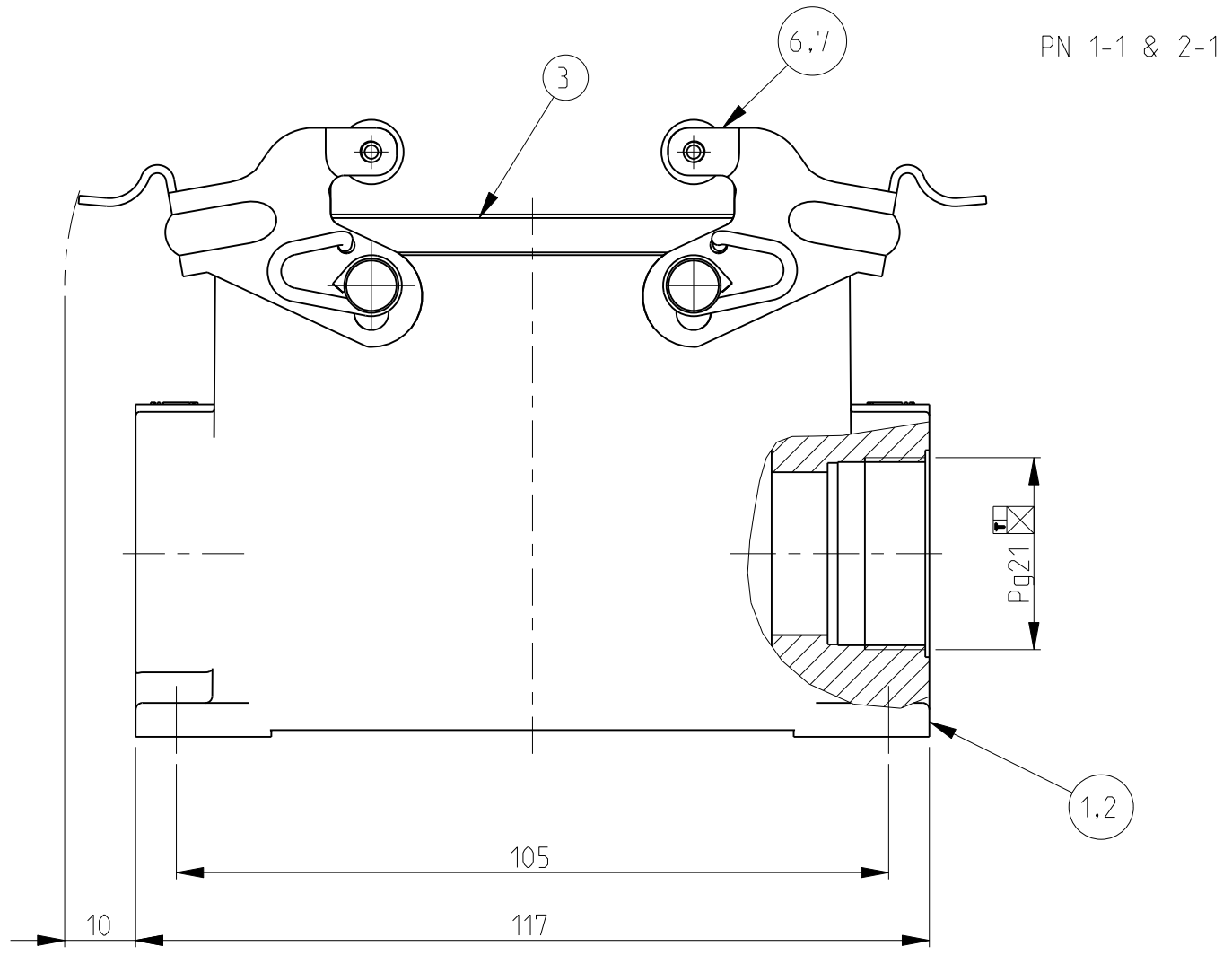
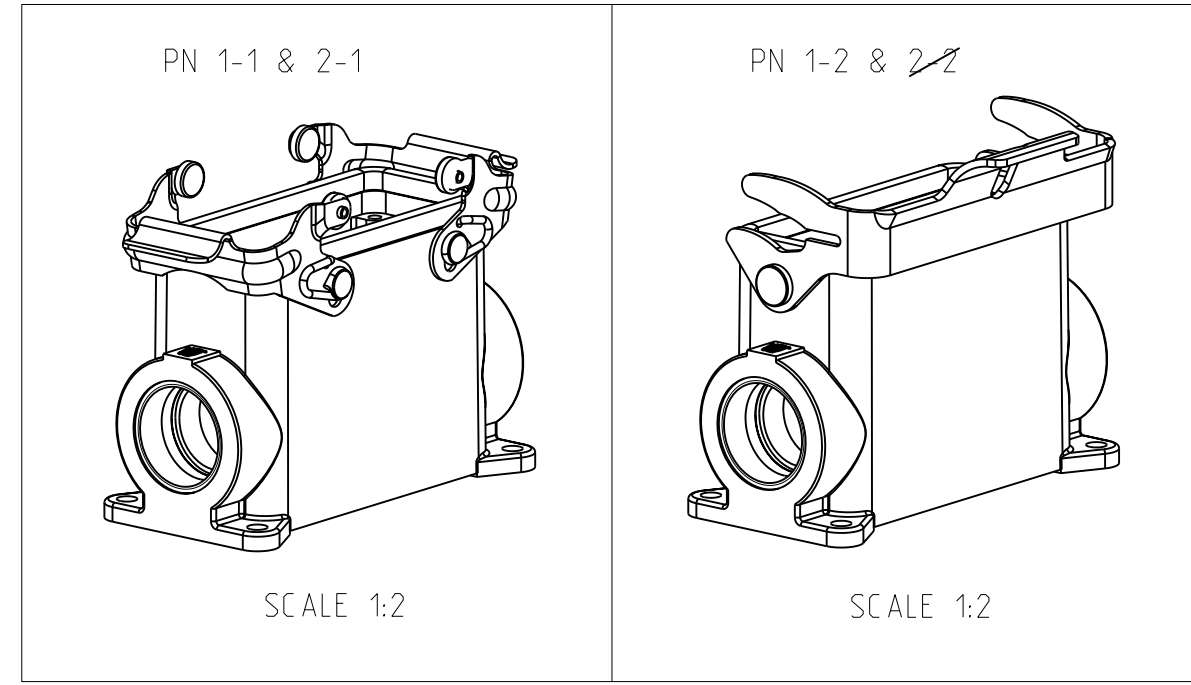


THIS DRAWING IS UNPUBLISHED. RELEASED FOR PUBLICATION .2000.
 © COPYRIGHT 2000 BY TYCO ELECTRONICS CORPORATION. ALL RIGHTS RESERVED.

LOC	DIST	REVISIONS			
P	LTR	DESCRIPTION	DATE	DWN	APVD
A1	-				
	A3	ECR-10-017493	31.01.11	SR	AR

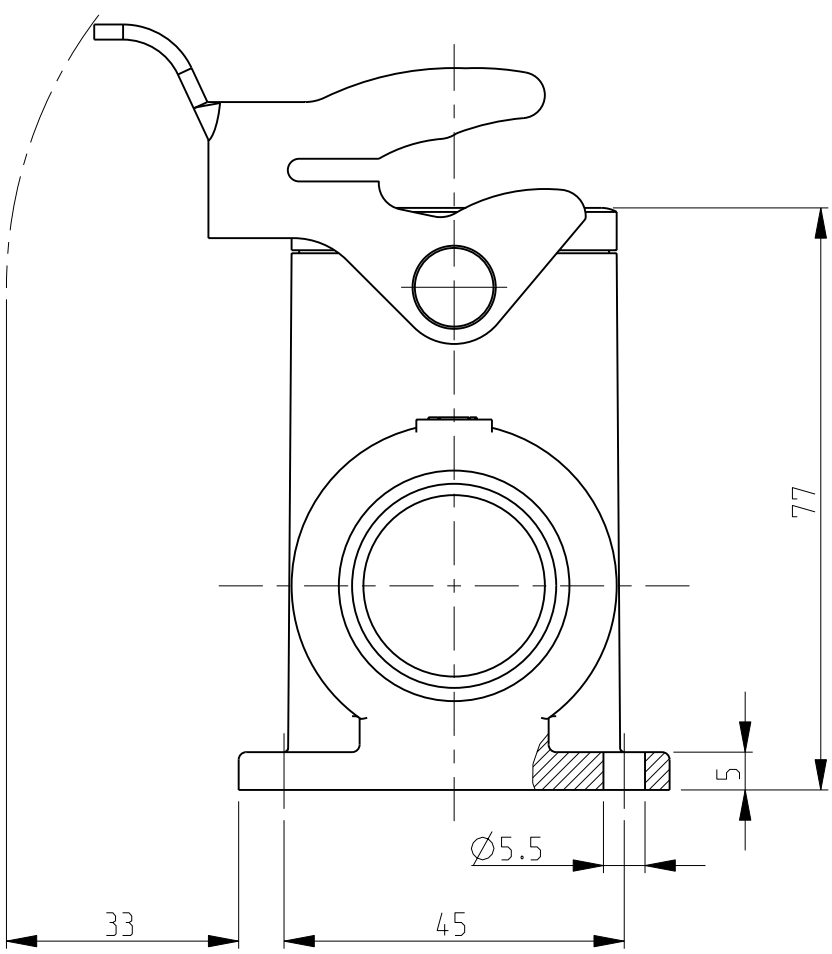
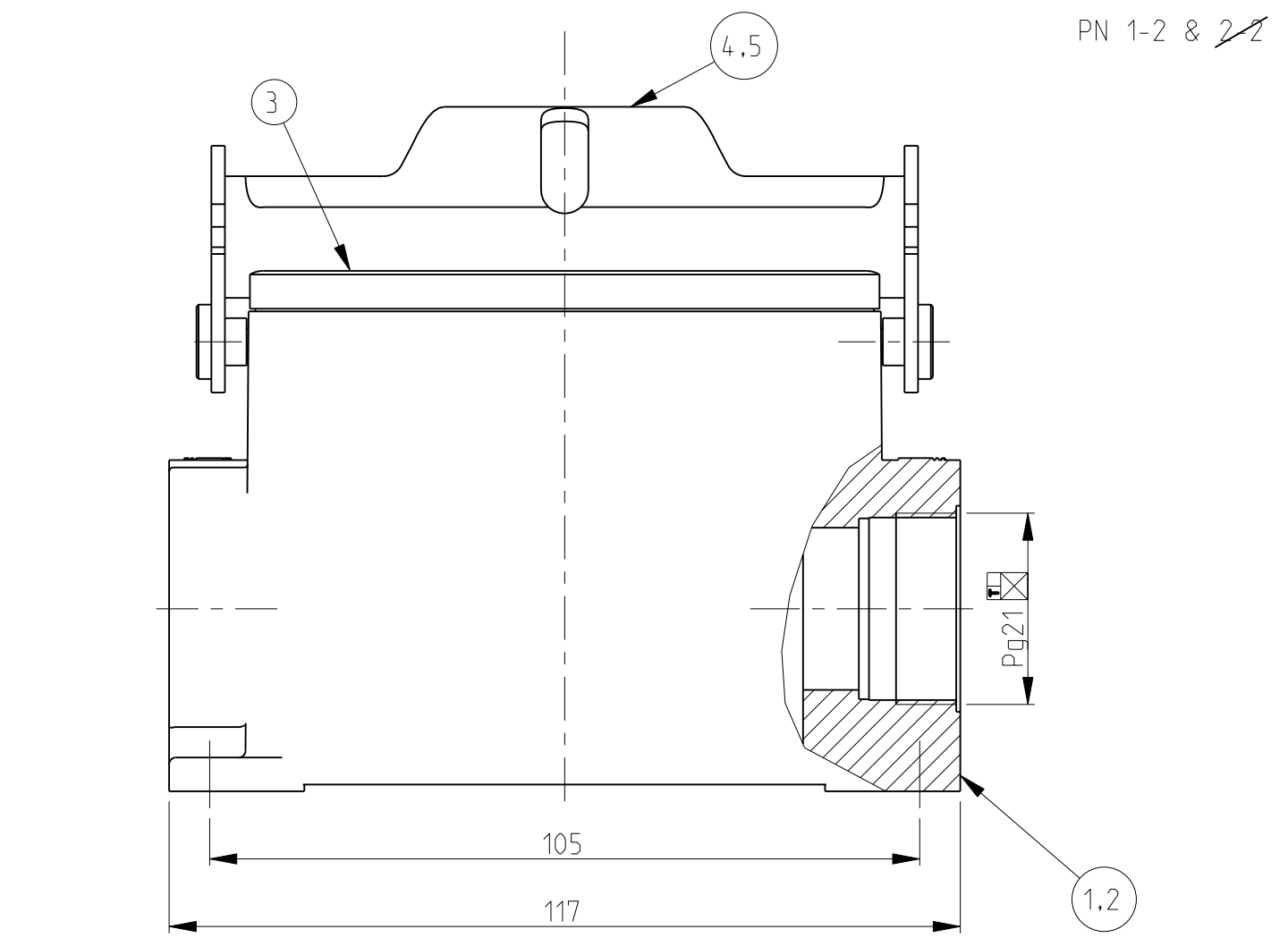


- NOTES.
- 1 Material:Housing:Aluminium Diecasting Alloy
Seals:Neoprene
 - 2 Surface:Varnish grey
-Aluminium Oxide +Varnish Black
 - 3 Varnish on the inside not necessary
 - 4 Packaging
Quantity 5 Pieces in a box



OBSOLETE

QTY	ITEM NO	DESCRIPTION	MATERIAL	SURFACE	COLOR	ITEM NO	REMARKS	
2	2	VS-Clip positioner	Stainless steel	Blank		7		
	2	VS-Clip positioner	Steel	Zinc plated	Blue	6		
1		LB-Side clip	Stainless steel	Blank		5		
	1	LB-Side clip	Steel	Zinc plated	Blue	4		
1	1	Profile seal	Neoprene		Black	3		
	1	Surface mounted housing side entry HD-K	Aluminium	Aluminium oxide	Black	2		
	1	Surface mounted housing side entry HD	Aluminium		Grey	1		
2-2	1-2	2-1	DESCRIPTION	MATERIAL	SURFACE	COLOR	ITEM NO	REMARKS
ORDERING TEXT								
HD.40.SG-VS.1.21.Z								
HD-K.40.SG-VS.1.21.Z								
HD.40.SG-LB.1.21.Z								
HD-K.40.SG-LB.1.21.Z								



THIS DRAWING IS A CONTROLLED DOCUMENT FOR TYCO ELECTRONICS CORPORATION. IT IS SUBJECT TO CHANGE AND THE CONTROLLING ENGINEERING ORGANIZATION SHOULD BE CONTACTED FOR THE LATEST REVISION.

DWN	Schneider	21.08.03
CHK	Schweiger	21.08.03
APVD		
PRODUCT SPEC		
APPLICATION SPEC		
WEIGHT	-	
CUSTOMER DRAWING		

Tyco Electronics
 Tyco Electronics,AMP.GmbH
 D-53819,Neunkirchen,Germany

NAME: Surface mounted housing side entry HD.40.SG-VS/LB.1.21.Z
 SIZE: A2 CAGE CODE: 00779 DRAWING NO: 1102575 RESTRICTED TO: -
 SCALE: 1:1 SHEET 1 OF 1 REV A3