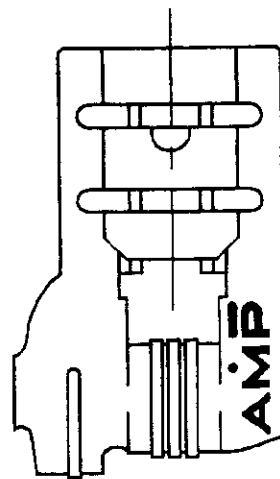
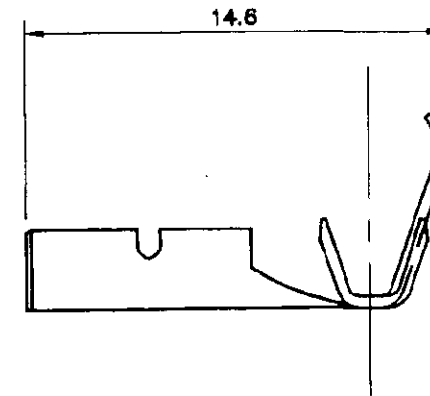
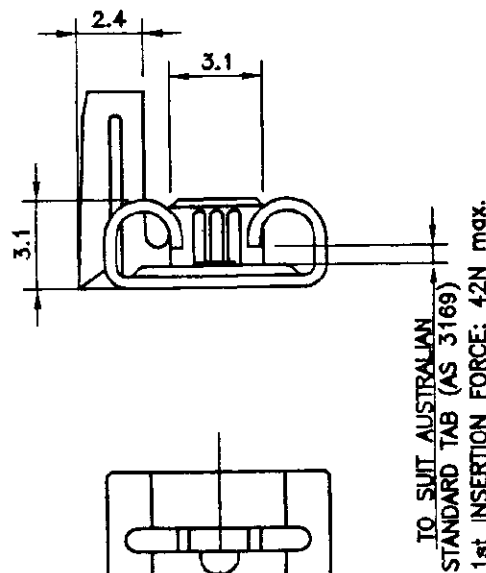
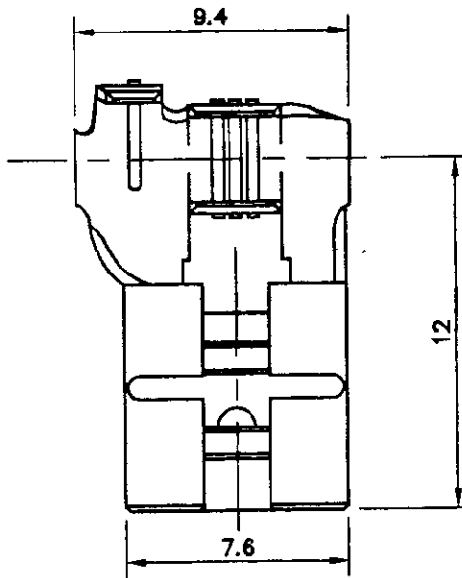
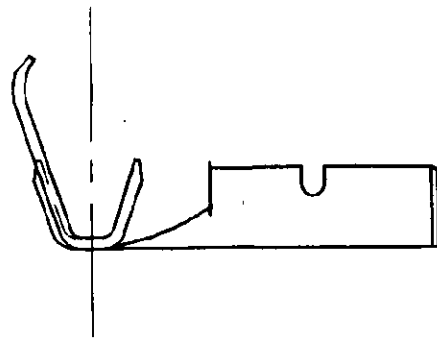


DRAWING MADE IN THIRD ANGLE PROJECTION



1 OBSOLETE PARTS: OBSOLETE CIS STREAMLINING PER D.RENAUD/D.SINISI

THIS INFORMATION IS CONFIDENTIAL AND DISCLOSED TO YOU ON CONDITION THAT NO FURTHER DISCLOSURE IS MADE BY YOU TO OTHER THAN AMP PERSONNEL WITHOUT WRITTEN AUTHORIZATION FROM AUSTRALIAN AMP

CONTROLLED

WIRE RANGE: 0.5-1.5 sq mm		-		PRE TIN	BRASS	190735-7
INSULATION RANGE: ϕ 2.29-3.3 mm		-		TIN PLATED	BRASS	190735-4
		-		-	NICKEL SILVER	190735-2
		-		-	BRASS	190735-1
		REMARKS	FINISH	MATERIAL		PART No
		SIZE 0.4 \pm 0.013X19.3 \pm 0.05				
		DATE 24/01/95	CHK VK	AMP Australian AMP Pty. Limited Hudson Avenue, CASTLE HILL NSW		
		DR RP	APP BL	LOC CODE U		
		NAME RECEPTACLE, FLAG, FASTON, LOW INSERTION FORCE 0.250				
A1	REVISED PER ECO-09-022178	AEG	22SEP09	SCALE AS SHOWN	SIZE A3	DWG No. C-190735
A	ECN FA 00 0003 95	BL	17/3/95	4:1		SHEET 1 OF 1
P	F	LTR	REVISION RECORD	APP	DATE	REV A1

1 OBSOLETE

CUSTOMER DRAWING

ORIGINAL

8

7

6

5

4

3

2

A

C

D

E

F