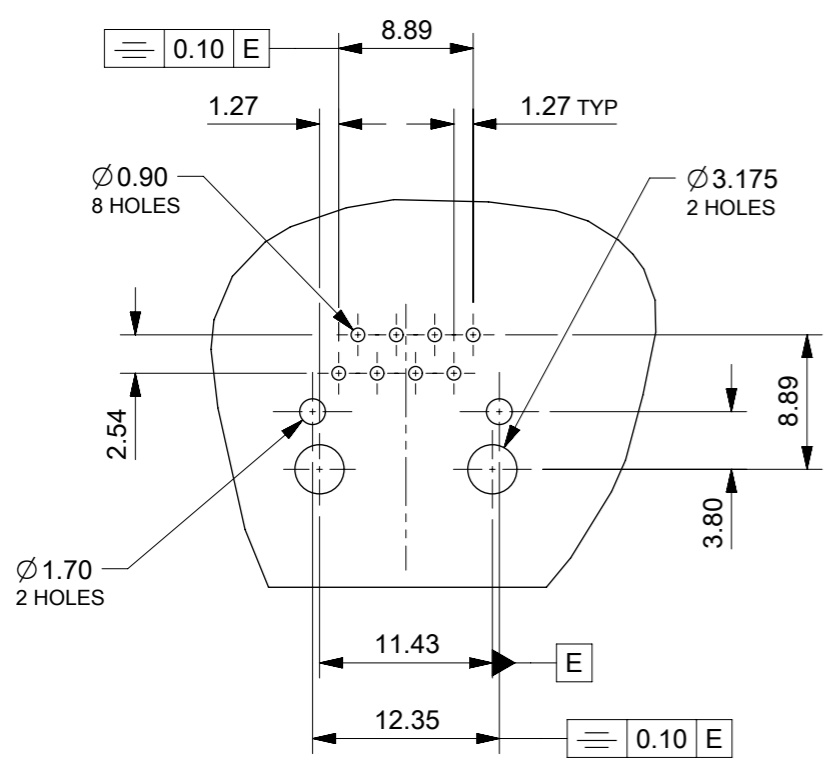
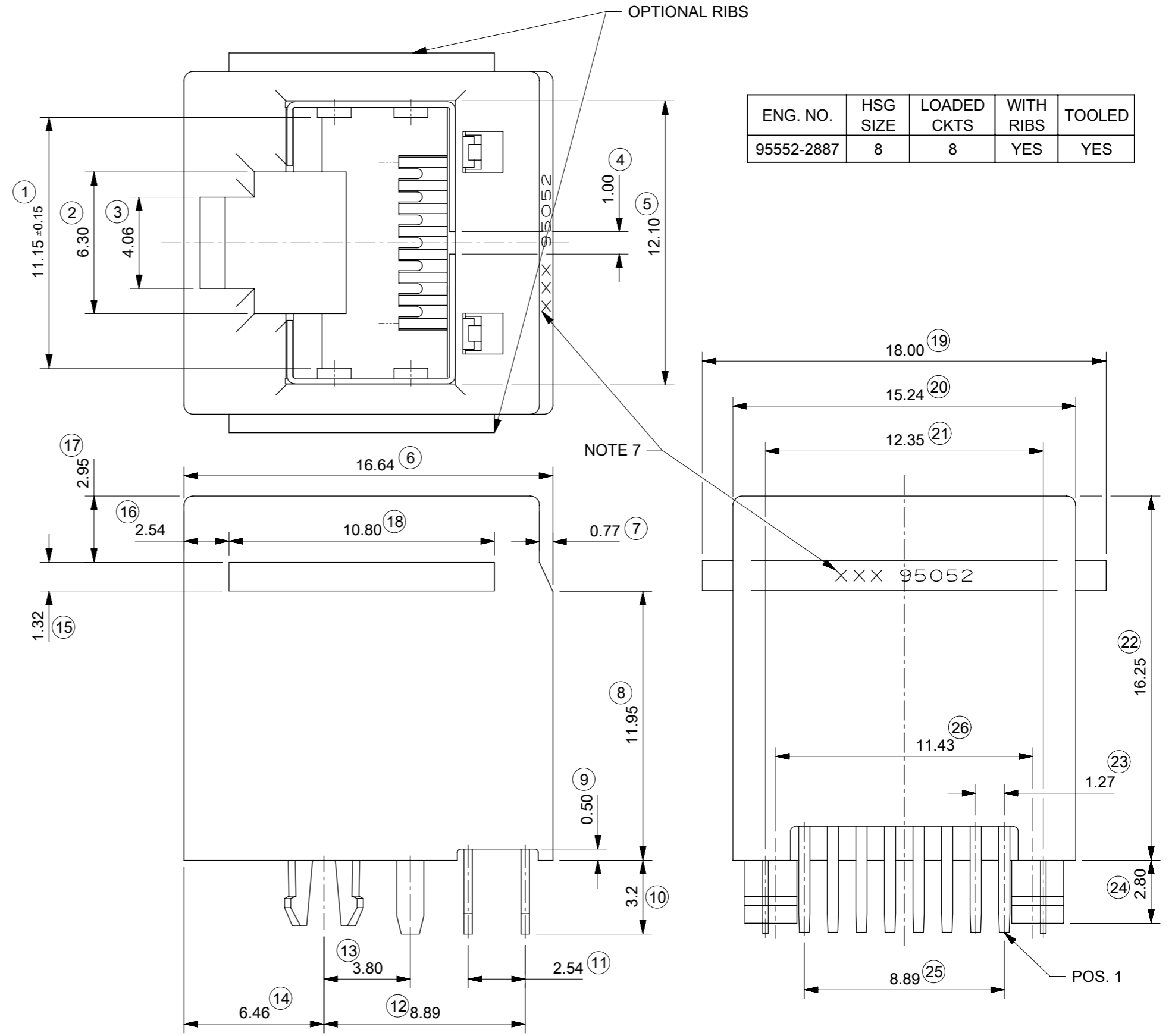


NOTES:

- MATERIAL: HOUSING: LCP GLASS FILLED UL 94-V0
COLOUR: BLACK
TERMINAL: COPPER ALLOY,
BASE FINISH: NICKEL
CONTACT SURFACE FINISH:
GOLD,
OR
GOLD FLASH OVER PALLADIUM NICKEL.
EXCEEDS PRODUCT REQUIREMENTS BASED ON PS-95552-001
SHIELD: COPPER ALLOY PLATED WITH TIN .
- JACK FOR MATING WITH IEC 60603-7 AND TIA-1096-A PLUG
MOLEX 95043 SERIES
- P.C. BOARD THICKNESS: 1.57
- PRODUCT SPECIFICATION: PS-95552-001
- APPLICATION SPCEIFICATION: AS-85513-001
- PACKAGING SPECIFICATION: PK-95022
- MANUFACTURING I.D. CAN BE EITHER MG, MXF, MXI OR MXCH.
- LAST INSPECTION NUMBER: 26



FUNCTIONAL SYMBOLS $\nabla_A = 0$ $\nabla_E = 0$ $\nabla_V = 0$	THIS DRAWING CONTAINS INFORMATION THAT IS PROPRIETARY TO MOLEX ELECTRONIC TECHNOLOGIES, LLC AND SHOULD NOT BE USED WITHOUT WRITTEN PERMISSION	SCALE 1:1	CURRENT REV DESC: ADD "MXCH" AS MANUFACTURING I.D. SEE NOTE 7.		
	mm	GENERAL TOLERANCES (UNLESS SPECIFIED)			
	ANGULAR TOL $\pm 2.0^\circ$				
	4 PLACES \pm				
DIVISIONAL SYMBOLS	EC NO: 641518				
	DRWN: CRAODOREMS 2018/02/09				
	CHK'D: KLANG 2020/08/25				
	APPR: KLANG 2020/08/25				
INITIAL REVISION:					
DRWN: DBYRNES 2007/04/02					
APPR: EOMAHONY 2007/04/04					
DRAFT WHERE APPLICABLE MUST REMAIN WITHIN DIMENSIONS		THIRD ANGLE PROJECTION	DRAWING A3-SIZE	SERIES 95552	MATERIAL NUMBER SEE CHART
			CUSTOMER GENERAL MARKET	DOCUMENT NUMBER SD-95552-001	DOC TYPE PSD
				DOC PART 001	REVISION F1
				SHEET NUMBER 1 OF 1	