

TF3 Series Mid Size Snap-acting Switches (Full Disconnection - Gap >3 mm)



Features/Benefits

- Broad range of operating forces
- Ratings up to 25 AMPS
- Wide variety of actuator styles
- Quick connect terminations
- Extreme operating temperature up to 125°C

Typical Applications

- Heavy duty power tools
- Motor controls
- HVAC

UL61058-1



Specifications

CONTACT RATING: From 10A to 25A @ 125/250 V AC
 ELECTRICAL LIFE: 10,000 cycles
 MECHANICAL LIFE: 500,000 cycles
 INSULATION RESISTANCE: 100 M ohm min.
 DIELECTRIC STRENGTH: 1,500 Vrms min. @ sea level
 OPERATING TEMPERATURE: -40°C to 125°C
 OPERATING FORCE: Refer to chart for lever style forces
 MOUNTING: Torque screws 2-5 in/lbs.

Materials

SWITCH HOUSING: PBT
 COVER: PBT
 ACTUATOR BUTTON: Nylon
 SPRING: SWP
 PIVOT: Copper
 MOVABLE CONTACTS: Silver Alloy
 MOVABLE BLADE: Copper Alloy
 STATIONARY CONTACTS: Silver Alloy
 TERMINALS: Copper

Build-A-Switch

To order, simply select desired option from each category and place in the appropriate box. For additional options not shown in catalog, consult Customer Service Center.



Series

TF3 SP, Mom.

Electrical Rating

- 10** 10.1A 125/250 VAC
- 16** 16A 125/250 VAC
- 20** 20.1A 125/250 VAC
- 25** 25A 125/250 VAC

Operating Force

OPTION CODE	OPERATING FORCE
CF	Refer to operating force table
CG	
CJ	
EC	
EE	
EK	

Actuator

- P00** Pin plunger
- T10** Lever 14 mm
- T15** Lever 27.5 mm
- T30** Lever 51.3 mm
- T24** Simulated roller 24.5 mm
- A10** Lever roller 12.5 mm
- A15** Lever roller 25.9 mm

Circuitry

- Y** SPST N.O.

Terminations

- 40** .187" quick connect
- 4A** .250" quick connect

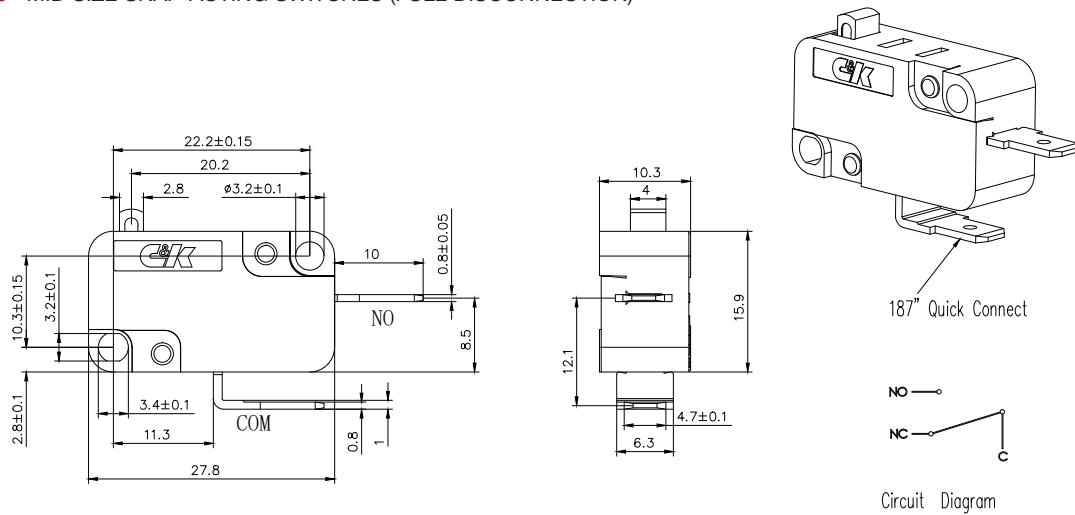
Snap-acting



TF3 Series Mid Size Snap-acting Switches (Full Disconnection - Gap >3 mm)

SERIES

TF3 MID SIZE SNAP-ACTING SWITCHES (FULL DISCONNECTION)



ELECTRICAL RATING

OPTION CODE	RoHS COMPLIANT	RoHS COMPATIBLE	ELECTRICAL RATING
10	Yes	Yes	10.1A @ 125/250 V AC
16	Yes	Yes	16A @ 125/250 V AC
20	Yes	Yes	20A @ 125/250 V AC
25	Yes	Yes	25A @ 125/250 V AC

OPERATING FORCE WITH ASSOCIATED ACTUATOR

OPTION CODE	OPERATING FORCE MAX. (grams)		
	CF	CG	CJ
P00	190	510	842
T10	190	510	753
T15	100	260	374
A10	190	510	842
A15	102	275	395
	EC	EE	EK
T30	46	80	115
T24	88	170	235



Third Angle
Projection

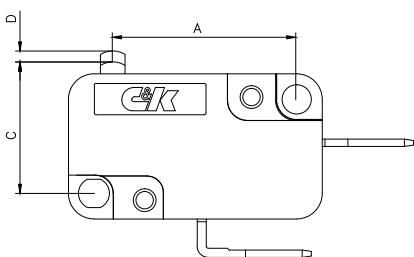
Dimensions are shown: mm (inches)
Specifications and dimensions subject to change

TF3 Series Mid Size Snap-acting Switches (Full Disconnection - Gap >3 mm)

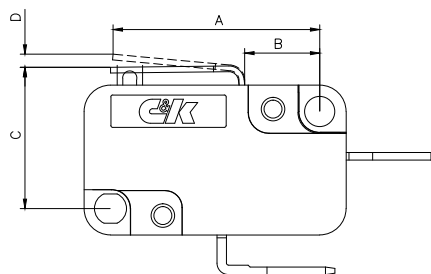
ACTUATOR

OPTION CODE	'A'	'B'	'C'	'D'	'E'
P00	20.2	8	14.4 ± 0.5	1.9	-
T10	21.94	8	15.0 ± 0.8	2.4	-
T15	35.38	8	15.0 ± 1.5	4.8	-
A10	20.61	8	20.4 ± 0.7	2.2	Ø 4.8
A15	33.57	8	20.4 ± 1.4	4.5	Ø 4.8
T30	65.11	14	15.0 ± 4.7	15	-
T24	38.43	14	18.4 ± 2.0	7.2	Ø 7

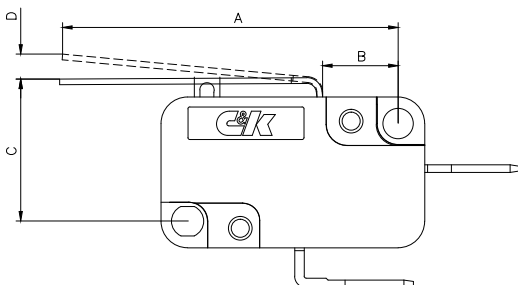
P00 Pin Plunger



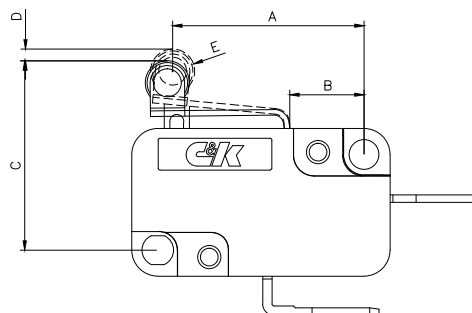
T10 Lever 14 mm



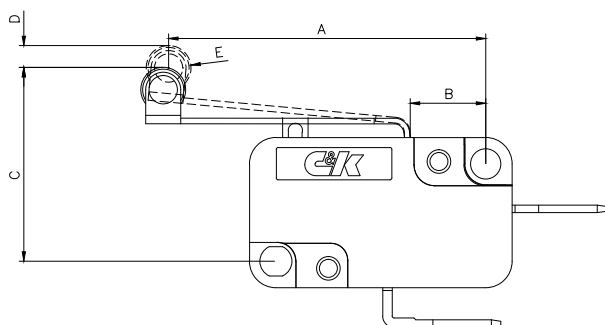
T15 Lever 27.5 mm



A10 Lever Roller 12.5 mm



A15 Lever Roller 25.9 mm



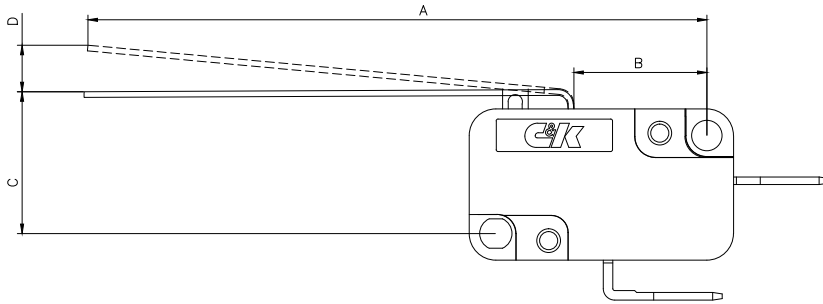
Snap-acting

TF3 Series

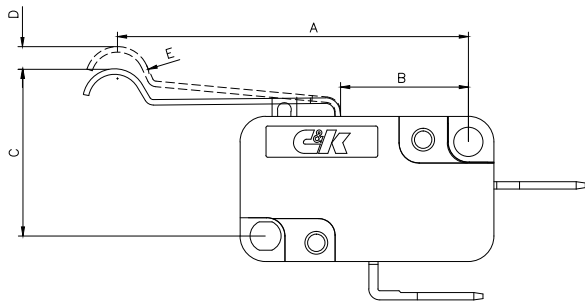
Mid Size Snap-acting Switches (Full Disconnection - Gap >3 mm)

ACTUATOR

T30 Lever 51.3 mm



T24 Simulated Roller 24.5 mm

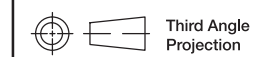
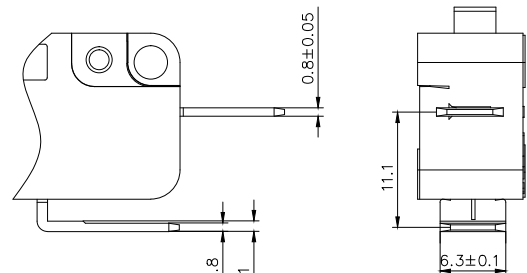
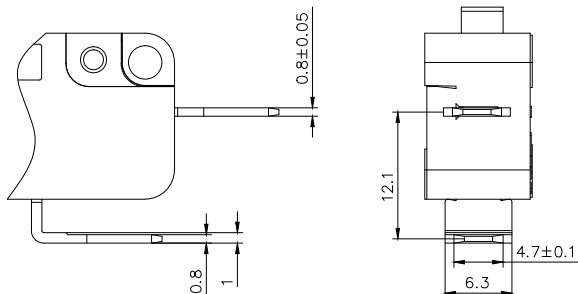


OPTION CODE	OPERATING FORCE MAX. (grams)			OPERATING POSITION (mm)	PRE-TRAVEL MAX. (mm)	OVER-TRAVEL MIN. (mm)	MAX. DIFFERENTIAL MAX. (mm)
	CF	CG	CJ				
P00	190	510	842	14.4 ± 0.5	1.9	0.7	1.2
T10	190	510	753	15.0 ± 0.8	2.4	0.5	1.4
T15	100	260	374	15.0 ± 1.5	4.8	1.0	2.7
A10	190	510	842	20.4 ± 0.7	2.2	0.4	1.2
A15	102	275	395	20.4 ± 1.4	4.5	0.9	2.6
	EC	EE	EK				
T30	46	80	115	15.0 ± 4.7	15	3.1	7
T24	88	170	235	18.4 ± 2.0	7.2	1.5	2.9

TERMINATIONS

40 .187" Quick Connect

4A .250" Quick Connect



Dimensions are shown: mm (inches)
Specifications and dimensions subject to change