

NOTES:

1. MATERIALS AND FINISHES:

- HOUSING - BRASS, GOLD PLATING
- COVER - BRASS, GOLD PLATING
- BODY - BERYLLIUM COPPER, GOLD PLATING
- CONTACT - BRASS, GOLD PLATING
- INSULATOR - PTFE & DELRIN, NATURAL

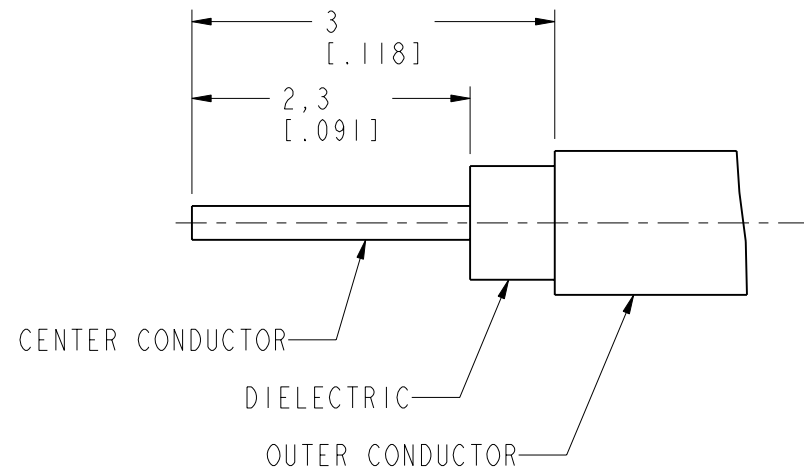
2. ELECTRICAL:

- A. IMPEDANCE: 50 OHM, NOMINAL
- B. FREQUENCY RANGE: 0-6 GHz
- C. VSWR (RETURN LOSS): 1.10 (-26.444 dB) MAX. @ 0-2.5 GHz
- D. D.W.V: 1000 VRMS, MIN.

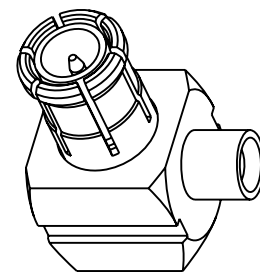
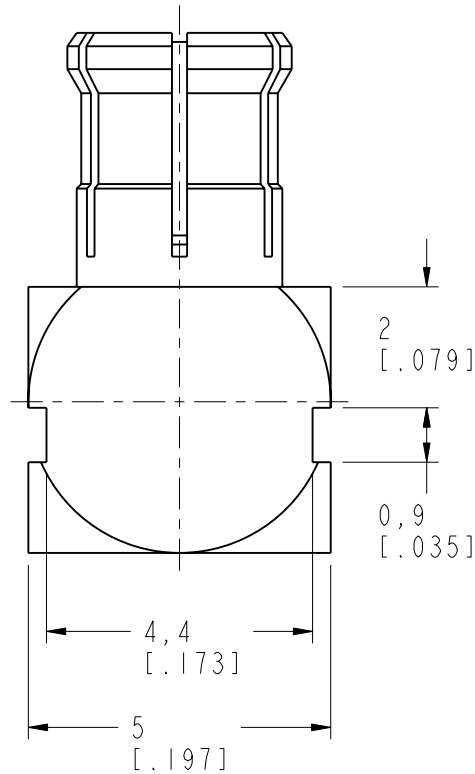
3. MECHANICAL:

- A. DURABILITY: 500 CYCLES MIN.
- B. TEMPERATURE RANGE: -55°C TO +155°C

4. CONTACT PIN TO SOLDER



RECOMMENDED  
CABLE STRIPPING DIM'S  
SCALE 16.000

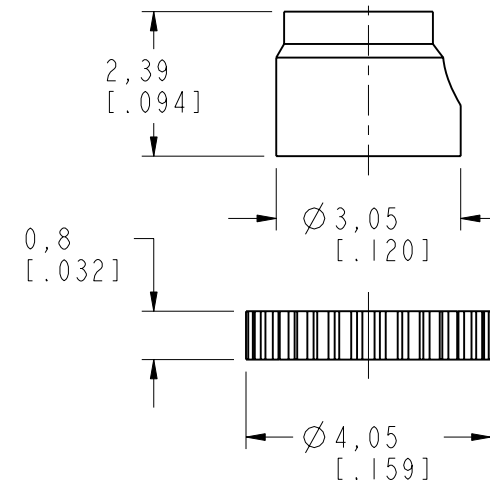
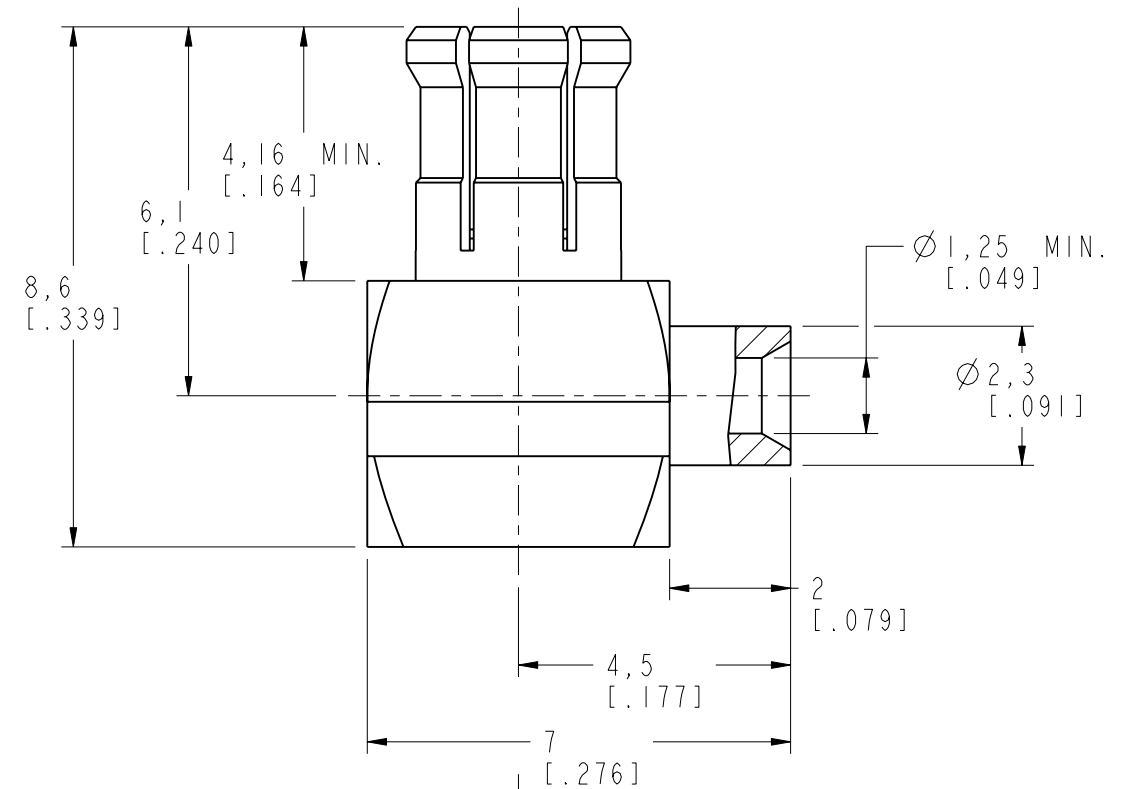


SCALE 4.000

THIRD ANGLE PROJ.

REVISIONS

REV	DESCRIPTION	DATE	ECO	APPR
NC	INITIAL RELEASE	17-Dec-98	----	GRS
E	SYNC, REDRAWN IN THE PRO/E\N/A	16-Feb-16	50907	SH



**CUSTOMER OUTLINE DRAWING**

ALL OTHER SHEETS ARE FOR INTERNAL USE ONLY

UNLESS OTHERWISE SPECIFIED, DIMENSIONS ARE IN METRIC AND TOLERANCES ARE:  
 <0.5mm ±0.05mm    0.5 - 6mm ±0.1mm    6 - 30mm ±0.2mm    30 - 120mm ±0.3mm    ANGLES ±1°

NOTICE - These drawings, specifications, or other data (1) are, and remain the property of Amphenol corp. (2) must be returned upon request; and (3) are confidential and not to be disclosed to any person other than those to whom they are given by Amphenol Corp. the furnishing of these drawings, specifications, or other data by Amphenol Corp., or to any other person to anyone for any purpose is not to be regarded by implication or otherwise in any manner licensing, granting rights to permitting such holder or any other person to manufacture, use or sell any product, process or design, patented or otherwise, that may in any way be related to or disclosed by said drawings, specifications, or other data.

MATERIAL	DRAWN M. ZHANG	DATE 01-Dec-15
REFERENCE AND CONFIGURATION LEVEL: In Work	ENGINEER C. WANG	DATE 24-Jul-08
FINISH	APPROVED S. HSIEH	DATE 01-Dec-15
	CAD FILE	

TITLE MCX R/A DIRECT SOLDER PLUG (FOR .047" SEMI RIGID CABLE)	SCALE: 8.0:1.0	SHEET 2 OF 2
DWG SIZE B	REV E	

Amphenol RF www.amphenolrf.com	
DRAWING NO. MCX1182A1-3GT30G-.047-50	
ITEM NO. 081182AAA47GE5F	
PART NO. 252158	