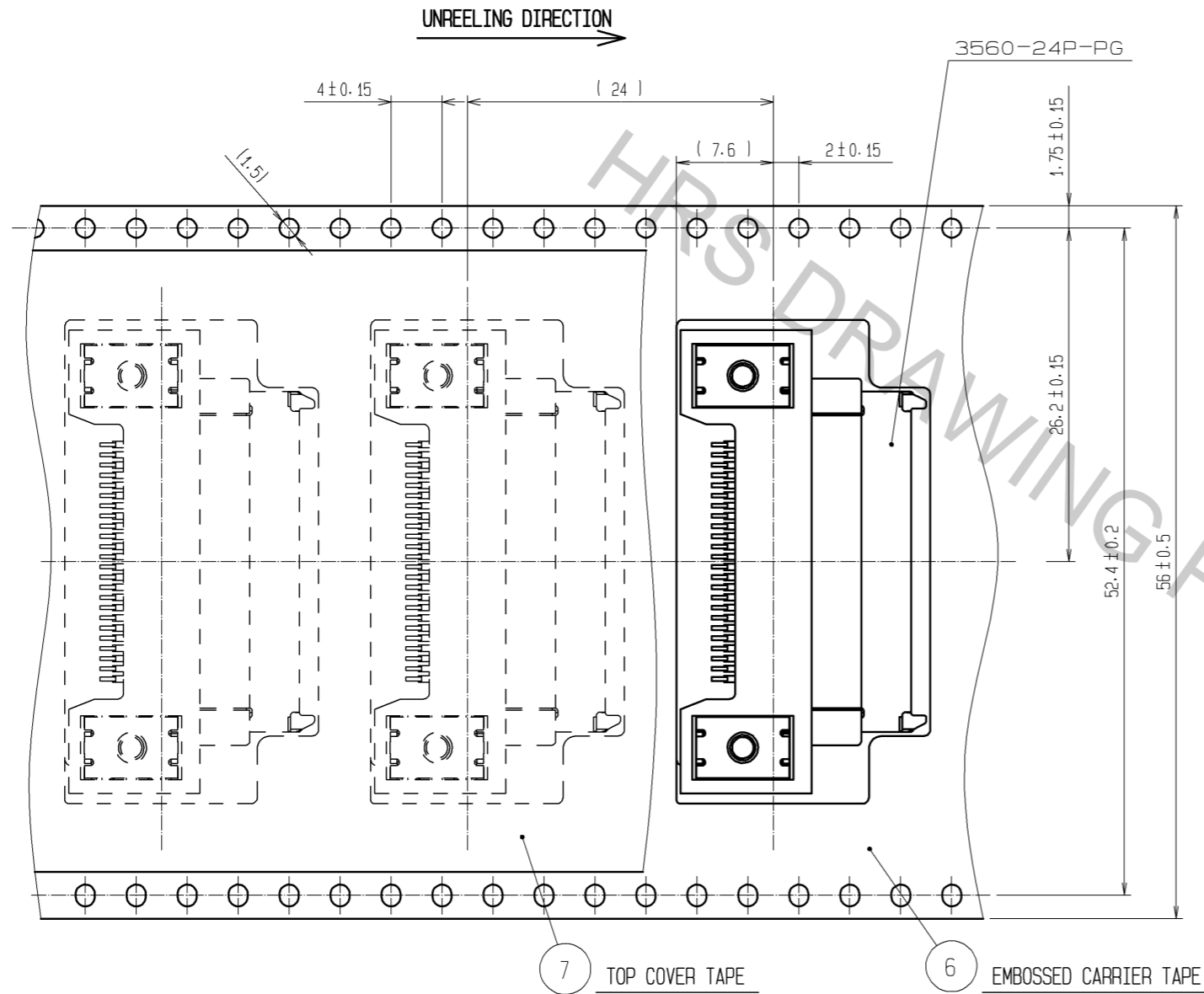


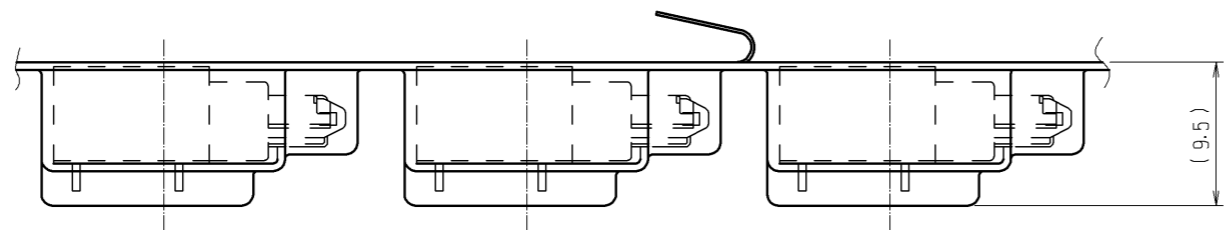
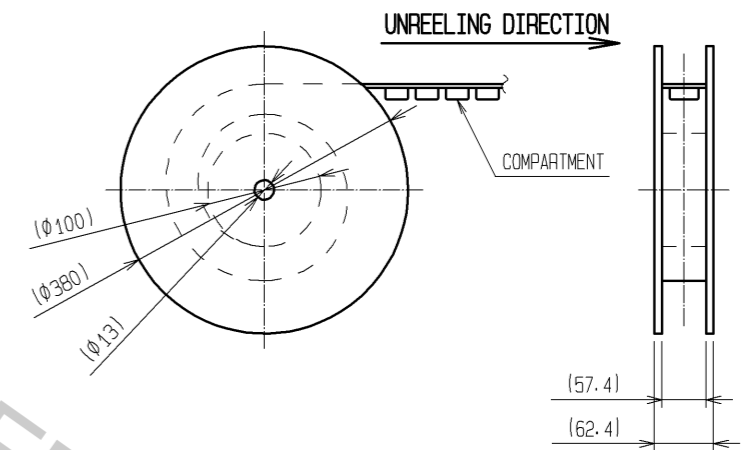
- NOTE
- ① FLOATING DISTANCE IN HORIZONTAL AND VERTICAL DIRECTIONS IS  $\pm 0.7$  (APPLICABLE CONNECTOR: 3560-24SR)
  - ② GAP BETWEEN MATED PLUG AND RECEPTACLE TO BE  $0.05^{+0.65}_0$
  - ③ REFERENCE NOS. ④ AND ⑤ ARE CONNECTED INSIDE THE CONNECTOR. (GROUND IS TO BE CONNECTED TO PCB BY REFERENCE NO. ⑤)
  - ④ SMT DIMENSION OF CONTACTS (REFERENCE NOS. ② AND ③) SHOWN IN FIG. 3

| 3                     | COPPER ALLOY | CONTACT AREA GOLD PLATING 0.76µm min<br>LEAD AREA GOLD PLATING 0.03µm min<br>UNDER PLATING NICKEL PLATING 1.27µm min | 7           | PS              |                          |
|-----------------------|--------------|--|-------------|-----------------|--------------------------|
| 2                     |              |  | 6           | PS              |                          |
| 1                     | POLYAMIDE    | (BLACK) UL94V-0  | 5           | COPPER ALLOY    | TIN PLATING 1µm min      |
|                       |              |  | 4           | STAINLESS STEEL |                          |
| NO.                   | MATERIAL     | FINISH . REMARKS   | NO.         | MATERIAL        | FINISH . REMARKS         |
| UNITS mm              |              | SCALE 2 : 1  | COUNT       |                 | DESCRIPTION OF REVISIONS |
| DESIGNED              |              | DESIGNED   | CHECKED     |                 | DATE                     |
| APPROVED : HO. MIWA   |              | 07.07.13   | DRAWING NO. |                 | EDC3-124784-02           |
| CHECKED : SJ. SHIMIZU |              | 07.07.12   | PART NO.    |                 | 3560-24P-PG(57)          |
| DESIGNED : TS. ITO    |              | 07.07.12   | CODE NO.    |                 | CL235-0023-6-57          |
| DRAWN : TS. ITO       |              | 07.07.12   |             |                 | 1/2                      |

5 FIG. 4: TAPED CONNECTOR



6 FIG. 5: STYLE AND DIMENSION OF WINDED REEL  
(SCALE: FREE)



- 5 TAPED CONNECTOR IS AS SHOWN IN FIG.4
- 6 STYLE AND DIMENSION OF WINDED REEL IS AS SHOWN IN FIG.5 (PER REEL : 300 PCS)

|            |             |                 |     |
|------------|-------------|-----------------|-----|
| <b>HRS</b> | DRAWING NO. | EDC3-124784-02  | 2/2 |
|            | PART NO.    | 3560-24P-PG(57) |     |
|            | CODE NO.    | CL235-0023-6-57 |     |
|            |             |                 |     |