

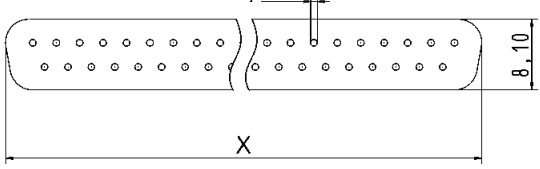

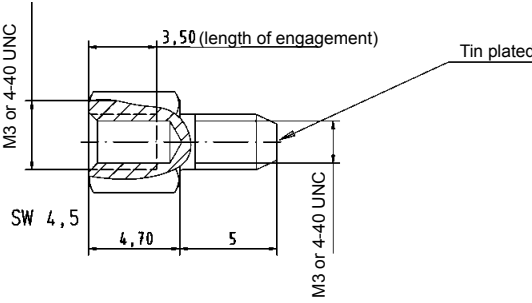

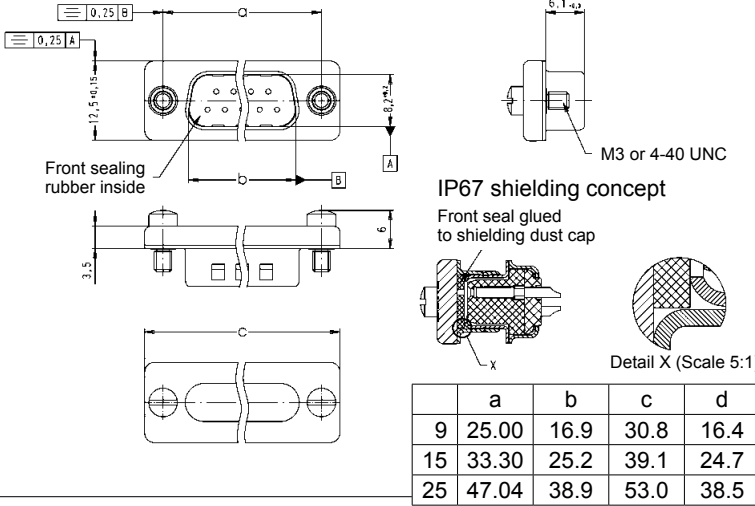

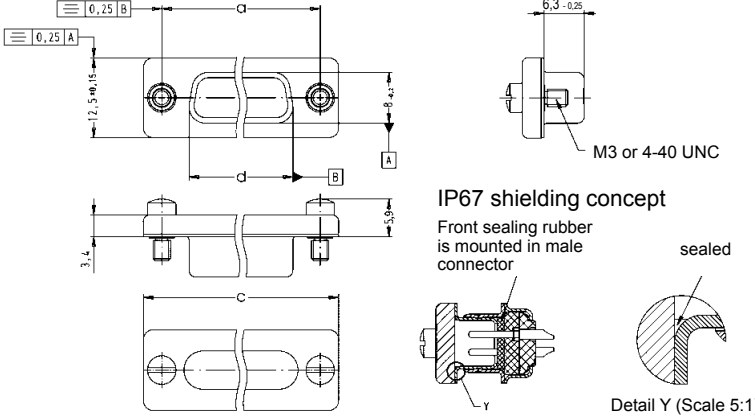


Accessories for IP67 connectors

Identification	No. of contacts	Part number	Drawing	Dimensions in mm																				
Front sealing rubber¹⁾ IP67  Mounting example 	9 15 25	09 67 002 9001 09 67 002 9002 09 67 002 9003		<table border="1"> <thead> <tr> <th></th> <th>X</th> </tr> </thead> <tbody> <tr> <td>9</td> <td>16.7</td> </tr> <tr> <td>15</td> <td>24.8</td> </tr> <tr> <td>25</td> <td>38.8</td> </tr> </tbody> </table>		X	9	16.7	15	24.8	25	38.8												
	X																							
9	16.7																							
15	24.8																							
25	38.8																							
Female screw lock and spacing washer²⁾ M3  4-40 UNC 2) Order 2 for each connector		09 67 002 9006 09 67 002 9007																						
Dust cap for female connectors³⁾ M3  4-40 UNC 3) With inside glued front sealing rubber	9 15 25 9 15 25	09 67 002 9055 09 67 002 9056 09 67 002 9057 09 67 002 9050 09 67 002 9051 09 67 002 9052		<table border="1"> <thead> <tr> <th></th> <th>a</th> <th>b</th> <th>c</th> <th>d</th> </tr> </thead> <tbody> <tr> <td>9</td> <td>25.00</td> <td>16.9</td> <td>30.8</td> <td>16.4</td> </tr> <tr> <td>15</td> <td>33.30</td> <td>25.2</td> <td>39.1</td> <td>24.7</td> </tr> <tr> <td>25</td> <td>47.04</td> <td>38.9</td> <td>53.0</td> <td>38.5</td> </tr> </tbody> </table>		a	b	c	d	9	25.00	16.9	30.8	16.4	15	33.30	25.2	39.1	24.7	25	47.04	38.9	53.0	38.5
	a	b	c	d																				
9	25.00	16.9	30.8	16.4																				
15	33.30	25.2	39.1	24.7																				
25	47.04	38.9	53.0	38.5																				
Dust cap for male connectors⁴⁾ M3  4-40 UNC 4) Order separately the front sealing rubber for an IP67 performance	9 15 25 9 15 25	09 67 002 9065 09 67 002 9066 09 67 002 9067 09 67 002 9060 09 67 002 9061 09 67 002 9062																						

¹⁾ The front sealing rubber is to be used with hood 09 67 0xx 0436 and 09 67 0xx 0437 when a mated system needs to have the IP67 performance; in this case, the front sealing rubber is positioned in the IP67 male connector prior to the mating operation with the facing IP67 connector; it provides a full protection of the contacts at the mated area by preventing possible ingress of liquids or dust between the shells.

D-Sub