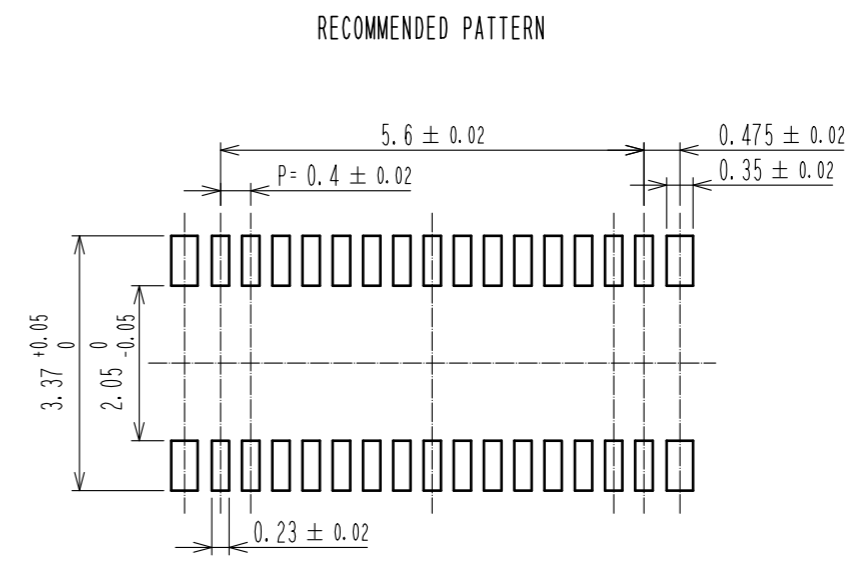
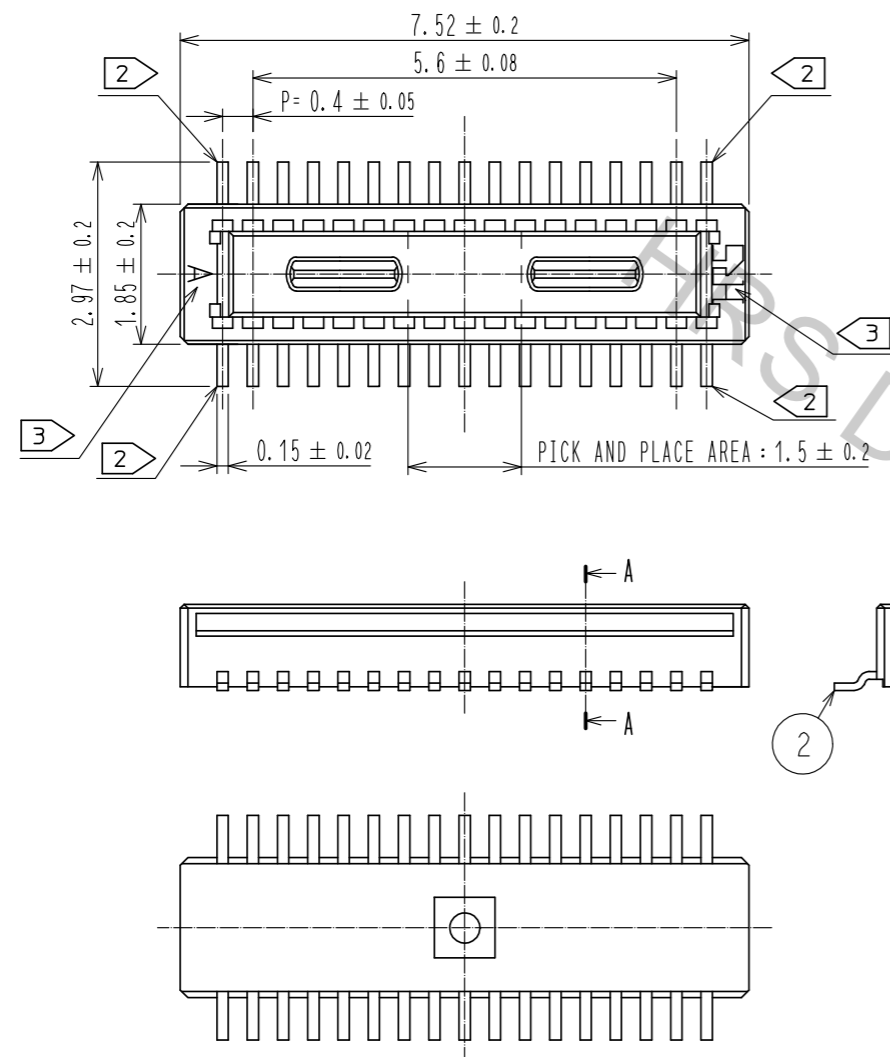
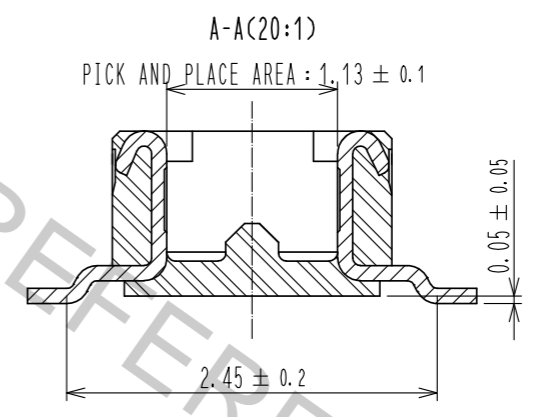


May.1.2017 Copyright 2017 HIROSE ELECTRIC CO., LTD. All Rights Reserved.



RECOMMENDED METAL MASK THICKNESS : 120 μm  
 RECOMMENDED METAL MASK OPENING RATIO : 80% FOR LEAD PAD

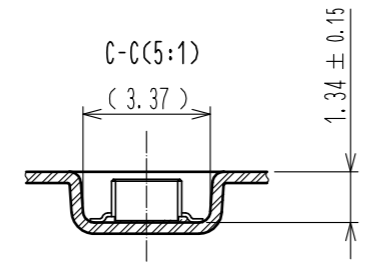
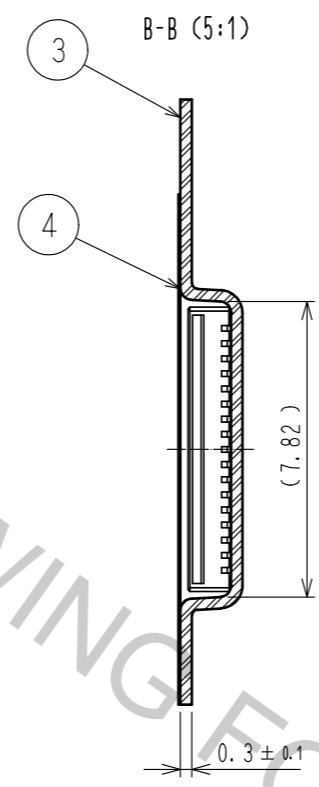
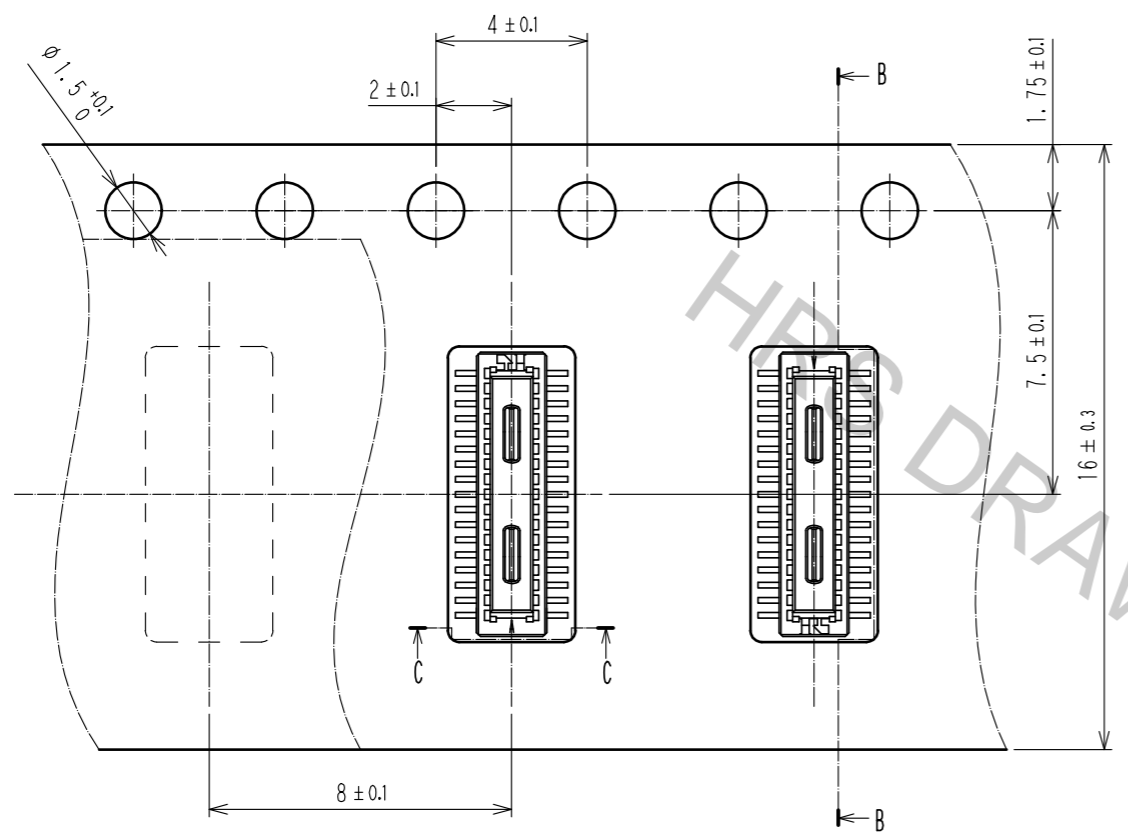


- NOTES
- 1. ALL LEADS CO-PLANARITY SHALL BE 0.1mm MAX.
  - 2. EACH ONE CONTACT AT 4 CORNERS SHALL BE USED AS METAL HOLD DOWN.
  - 3. HRS MARK AND CAV NO. IS INDICATED IN APPROXIMAL POSITION SHOWN. THE INDICATION COULD BE ON THE UPPER SURFACE OF DESIGN ON THE CONNECTOR.

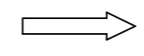
2	PHOSPHOR BRONZE	CONTACT AREA: Au 0.05 μm MIN	6	PS	CLEAR, REINFORCEMENT COLLAR			
		SMT LEAD: Au 0.05 μm MIN	5	PS	BLACK, PLASTIC REEL			
		UNDERPLATING: NICKEL 1 μm MIN	4	POLYESTER	CLEAR, COVER TAPE			
1	LCP	BLACK, UL94V-0	3	PS	CLEAR, EMBOSSED CARRIER TAPE			
NO.	MATERIAL	FINISH . REMARKS	NO.	MATERIAL	FINISH . REMARKS			
UNITS mm		SCALE 10:1	COUNT 	DESCRIPTION OF REVISIONS		DESIGNED	CHECKED	DATE
<b>HRS</b> HIROSE ELECTRIC CO., LTD.		APPROVED : MO. ISHIDA	15.07.15	DRAWING NO. EDC-311344-58-01				
		CHECKED : TS. MIYAZAKI	15.07.15	PART NO. DF40C-30DP-0.4V(58)				
		DESIGNED : SH. HOSODA	15.07.15	CODE NO. CL684-4012-4-58				
		DRAWN : KR. AJITO	15.07.15					

May.1.2017 Copyright 2017 HIROSE ELECTRIC CO., LTD. All Rights Reserved.

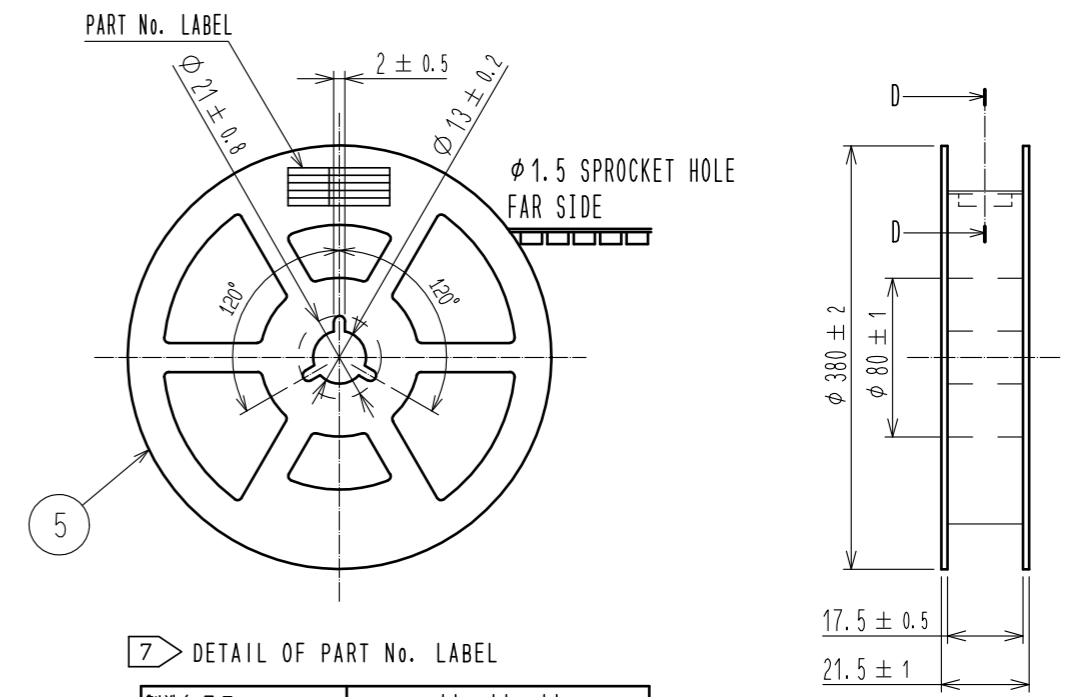
EMBOSSED CARRIER TAPE PACKING(5:1)



DIRECTION OF UNREEING

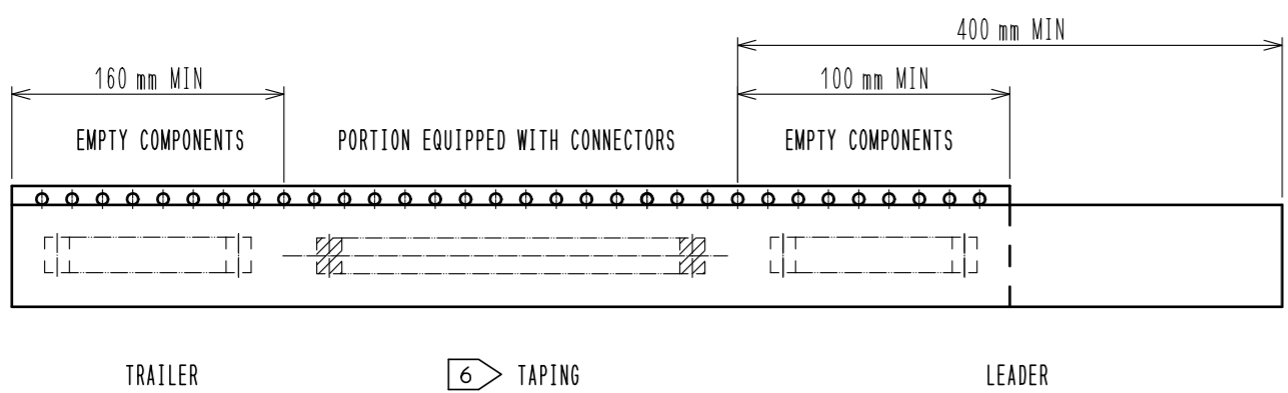
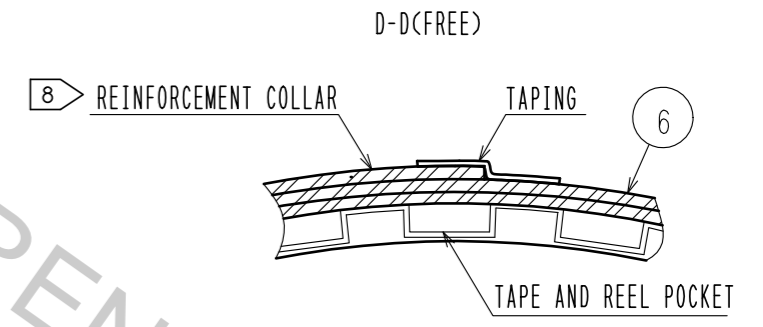


STYLE AND DIMENSION OF REEL(FREE)



7 > DETAIL OF PART No. LABEL

製造年月日	** ** *
製品コード	CL684-4012-4-58
製品名	DF40C-30DP-0.4V(58)
数量	1000
納入者	ヒロセ電機(株)



- NOTES
- 4. PER REEL 1000 CONNECTORS.
  - 5. THE DIMENSIONS IN PARENTHESES ARE FOR REFERENCE.
  - 6 > REFER TO JIS C 0806, IEC 60286-3 (PACKING OF COMPONENTS FOR AUTOMATIC HANDLING)
  - 7 > DETAIL OF PART No. LABEL IS WRITTEN IN JAPANESE. PART No. LABEL DESCRIBES THE FOLLOWING INFORMATION FROM TOP.  
 PRODUCTION DATE:  
 PRODUCT CODE: CL684-4012-4-58  
 PART NUMBER: DF40C-30DP-0.4V(58)  
 NUMBER OF PIECES: 1000 PIECES  
 SUPPLIER NAME: HIROSE ELECTRIC CO., LTD.
  - 8 > AFTER PACKAGING, ROLL 2 METERS OF THE REINFORCEMENT COLLAR TO OUTER CIRCUMFERENCE OF TAPE AND REEL POCKET, AND TAPE DOWN AT THE END THE COLLAR.

<b>HRS</b>	DRAWING NO.	EDC-311344-58-01
	PART NO.	DF40C-30DP-0.4V(58)
	CODE NO.	CL684-4012-4-58
		$\triangle$ 2/2