

DETAILS

| | |
|------------------------|--------------------|
| Product Number | F14740_BROOKE-G2-W |
| Family | Brooke |
| Type | Reflector |
| Color | metal |
| Diameter | 45 mm |
| Height | 19,7 mm |
| Style | round |
| Optic Material | PC |
| Holder Material | |
| Fastening | socket |
| Status | production ready |
| ROHS Compliant | Yes |
| Date Updated | 1/02/2017 |

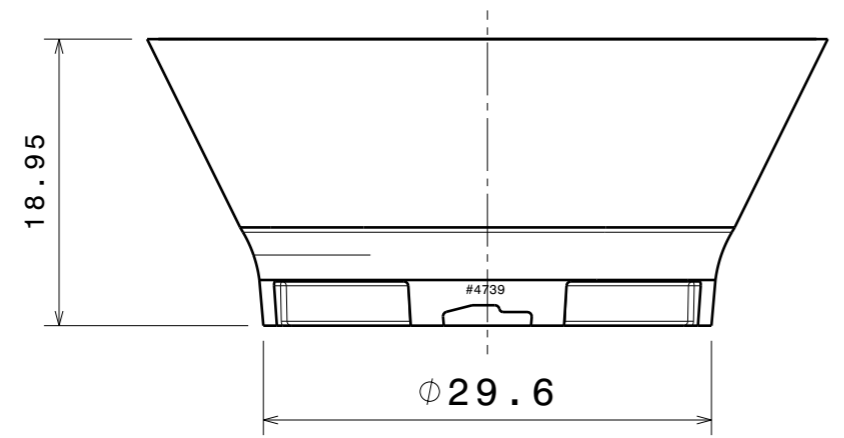
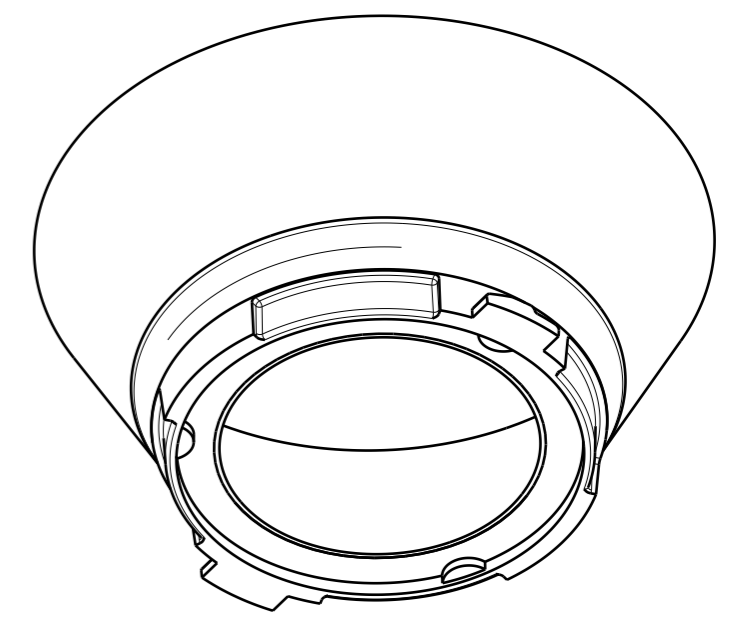
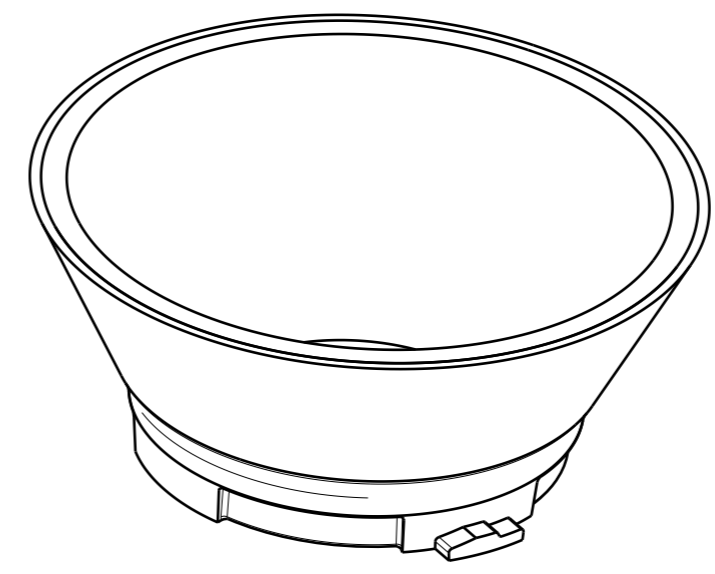
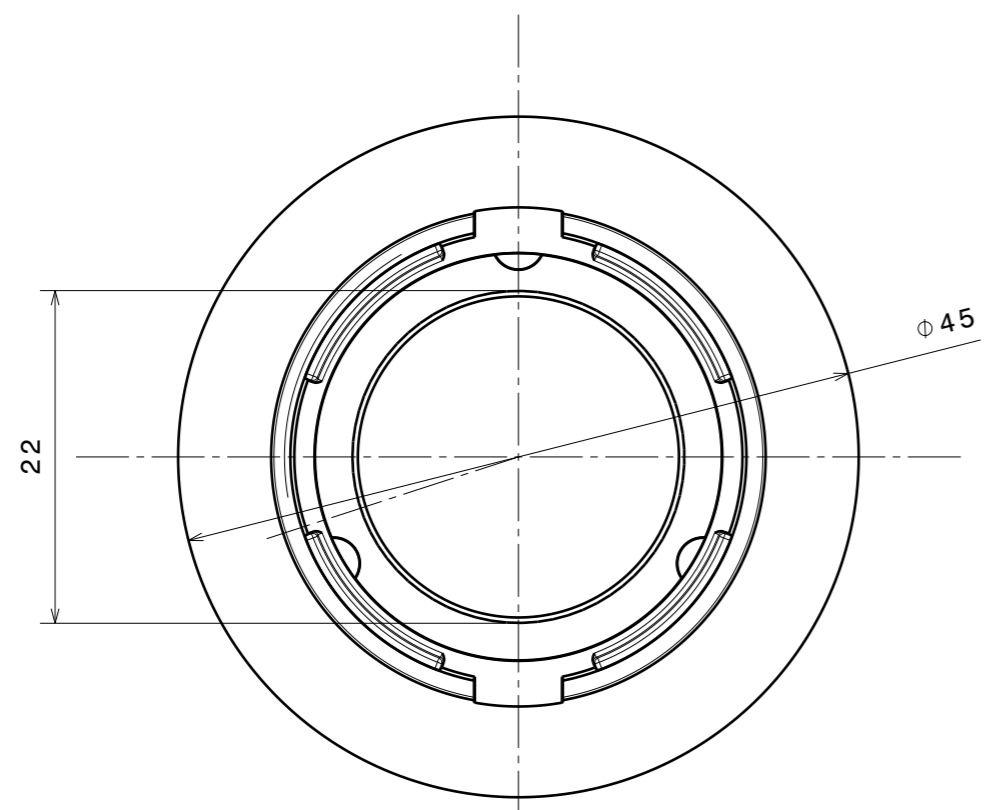


OPTICAL PROPERTIES

| LED | Viewing Angle | Light Beam | Efficiency | cd/lm | Connector |
|------------------------------------|---------------|------------|------------|------------|------------------------------|
| V8 Gen6 | sim: 42,5 | Wide | - | sim: 0.000 | LEDiL: F15253_HEKLA-SOCKET-A |
| CLL02x/CLU02x (LES10) | sim: 45 | Wide | - | sim: 0.000 | LEDiL: F15255_HEKLA-SOCKET-C |
| CLL02x/CLU02x (LES10) | sim: 43 | Wide | sim: 92 % | sim: 1.300 | LEDiL: F15255_HEKLA-SOCKET-C |
| CXA/B 15xx | sim: 44 | Wide | - | sim: 0.000 | LEDiL: F15256_HEKLA-SOCKET-D |
| CXA/B 1816 & CXA/B 1820 & CXA 1850 | sim: 46 | Wide | - | sim: 0.000 | LEDiL: F15254_HEKLA-SOCKET-B |
| COB D Series LES 9.8 mm | 43 deg | Wide | 94 % | 1.200 | LEDiL: F15255_HEKLA-SOCKET-C |
| MJT COB LES 6 | 32 deg | Wide | 93 % | 1.500 | LEDiL: F15255_HEKLA-SOCKET-C |
| MJT COB LES 9.8 | 20 deg | Wide | 92 % | 3.300 | LEDiL: F15255_HEKLA-SOCKET-C |
| SLE G6 LES15 | sim: 48 | Wide | sim: 92 % | sim: 1.200 | LEDiL: F15859_HEKLA-SOCKET-I |
| SLE G6 LES10 | sim: 49 | Wide | sim: 94 % | sim: 1.100 | LEDiL: F15255_HEKLA-SOCKET-C |
| SLE G6 LES17 | sim: 49 | Wide | sim: 92 % | sim: 1.160 | LEDiL: F15859_HEKLA-SOCKET-I |

H G F E D C B A

| REV | DATE | DESCRIPTION | DONE BY |
|-----|------------|--------------------|---------|
| 002 | 22.12.2015 | Fixing area change | jk |



| INDEX | PART NO | DESCRIPTION | MATERIAL | COLOUR |
|-------|---------|-------------|----------|--------|
| 1 | F14740 | BROOKE-G2-W | PC | metal |

Tolerances if not otherwise shown
 According to DIN ISO 2768-1
 Linear measures:
 Up to 30mm class F_M, otherwise see class MC.
 According to DIN ISO 2768-2
 Form and position: class K
 Control for SPC marked dimensions.

LEDiL Ledil Oy
 Salorankatu 10
 FIN 24240 SALO
 Finland

THIRD ANGLE PROJECTION:

DRAWING TITLE
F14740_BROOKE-G2-W Datasheet

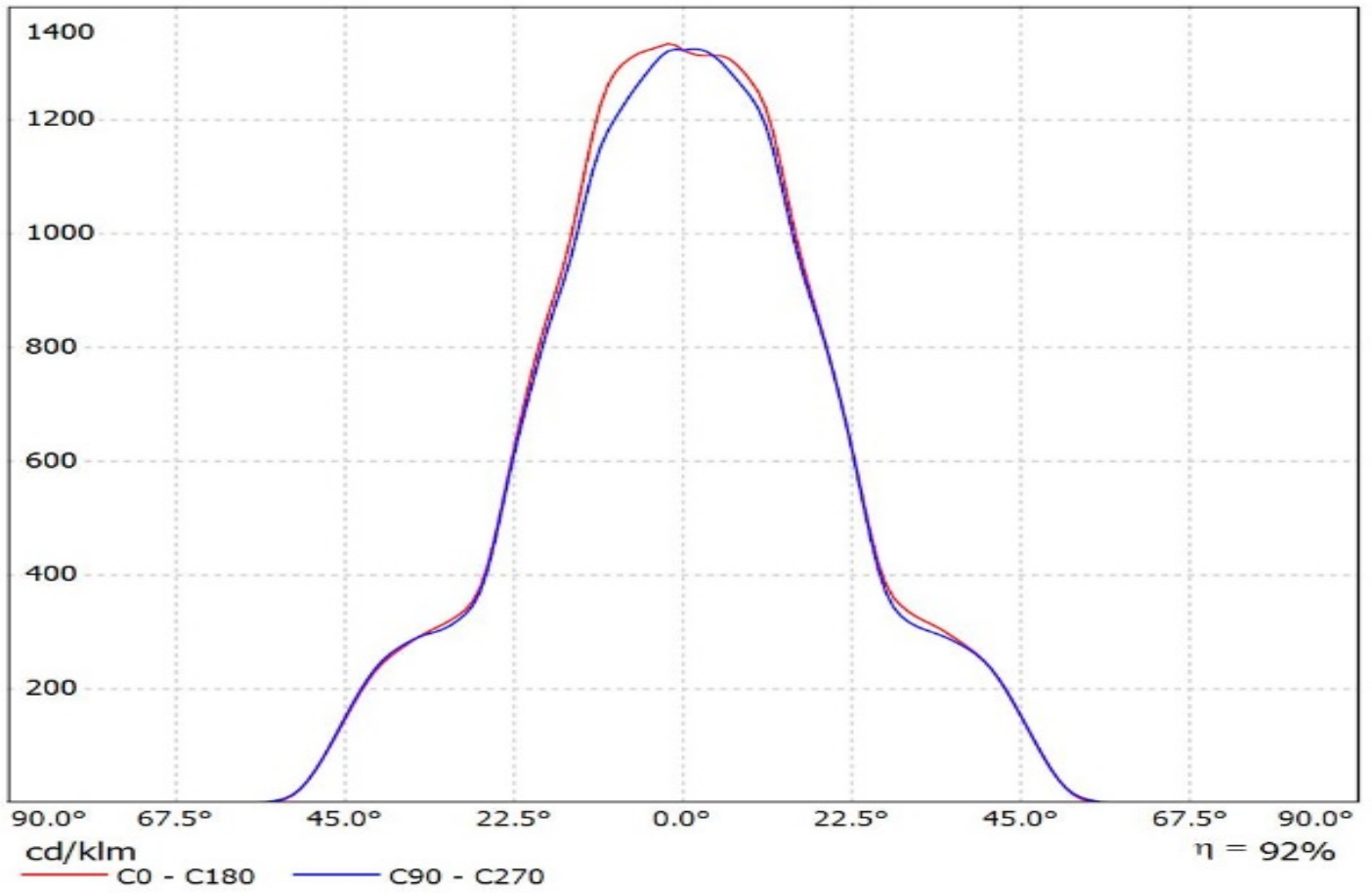
This drawing is the property of LEDiL Oy. It may not be reproduced, copied or communicated without a written agreement with LEDiL Oy.

| SIZE | PART NUMBER |
|------|-------------|
| A3 | F14740 |

| SCALE | 1:1 | WEIGHT | 4,5 g | SHEET | 1/1 |
|-------|-----|--------|-------|-------|-----|
|-------|-----|--------|-------|-------|-----|

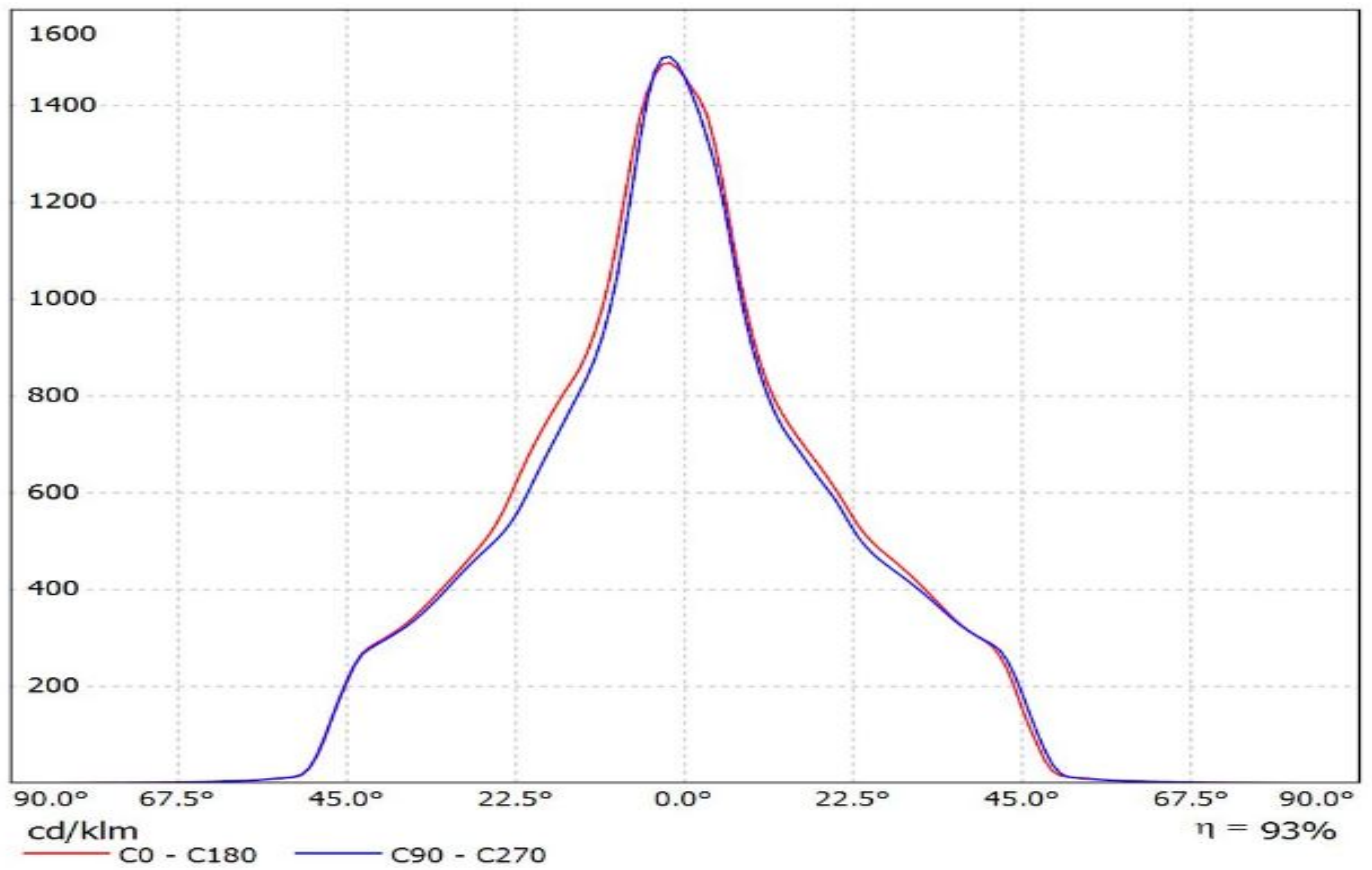
H G B A

Luminaire: Ledil Oy F14740_BROOKE-G2-W_+_F15255_HEKLA-SOCKET-C_(CLU028)_SIMULATED
Lamps: 1 x Citizen CLU028-1204C4-303M2K1 + F15255_HEKLA-SOCKET-C



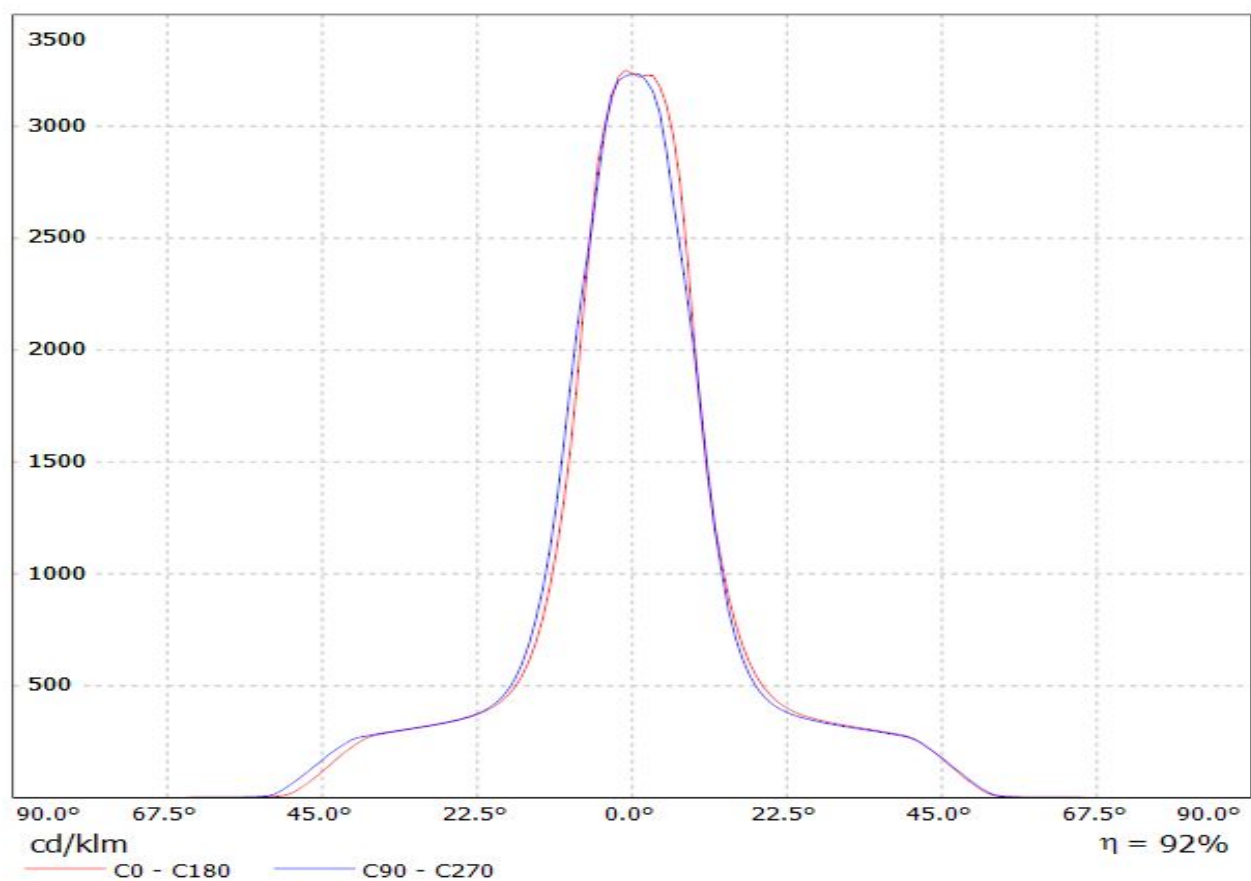
Luminaire: Ledil F14740_BROOKE-G2-W (MJT_6W_Les6)

Lamps: 1 x Seoul_MJT_6W_Les6mm_(SAWx0661A)_838.42lm@180mA_P=6.48702W_I=0.18A

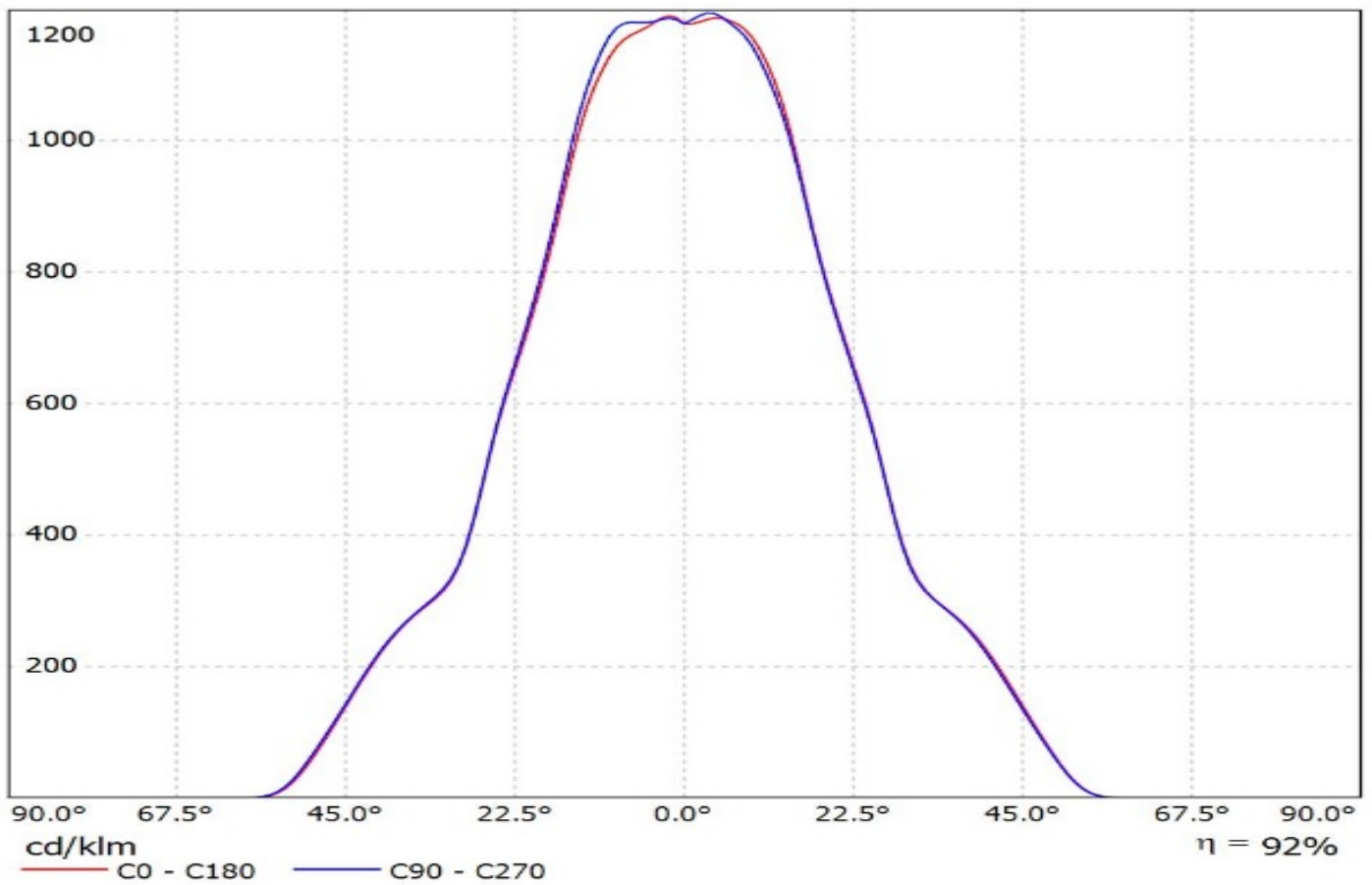


Luminaire: Ledil F14740_BROOKE-G2-W_(MJT_12W_Les9.8)

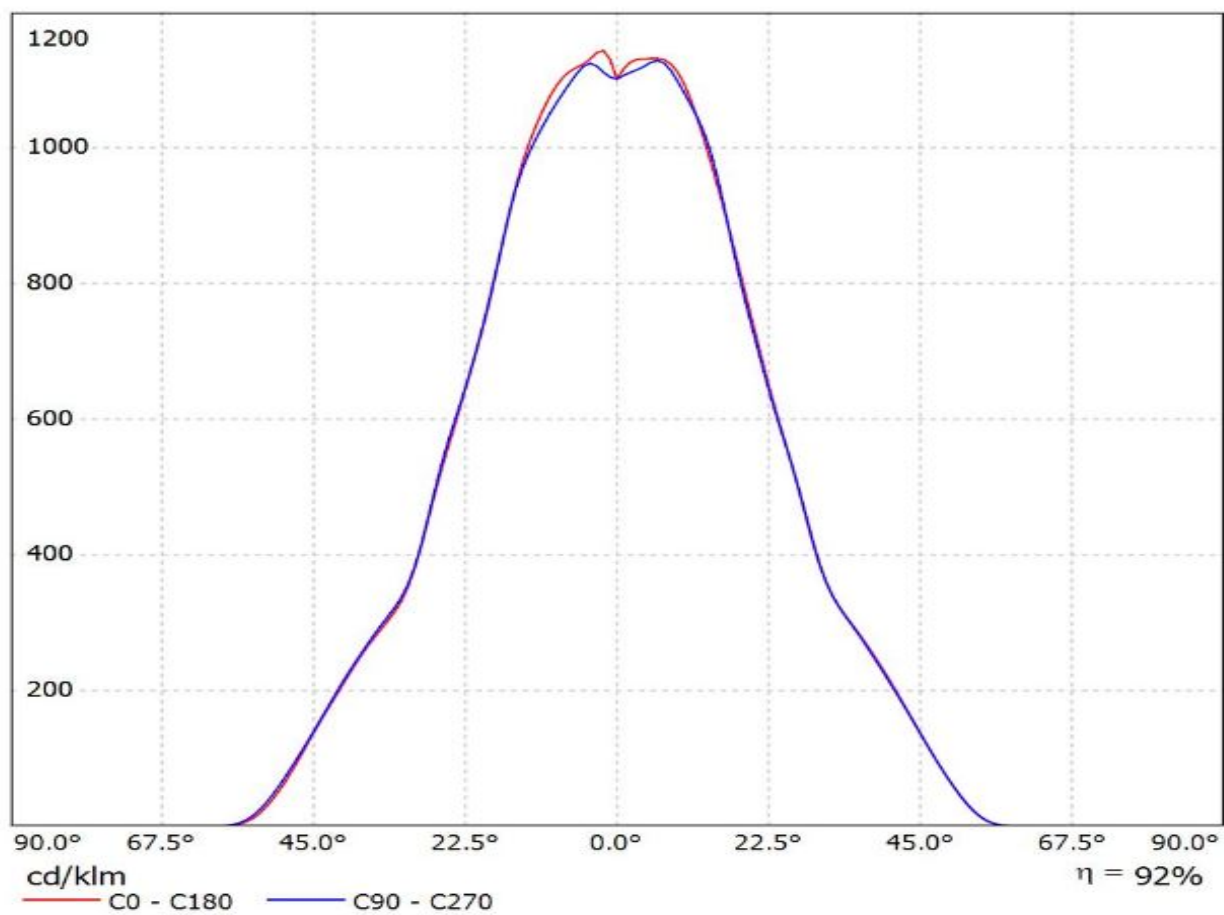
Lamps: 1 x Seoul_MJT_12W_Les9.8mm_(SAWx1063A)_1269.11lm@250mA_P=8.415W_I=0.25A



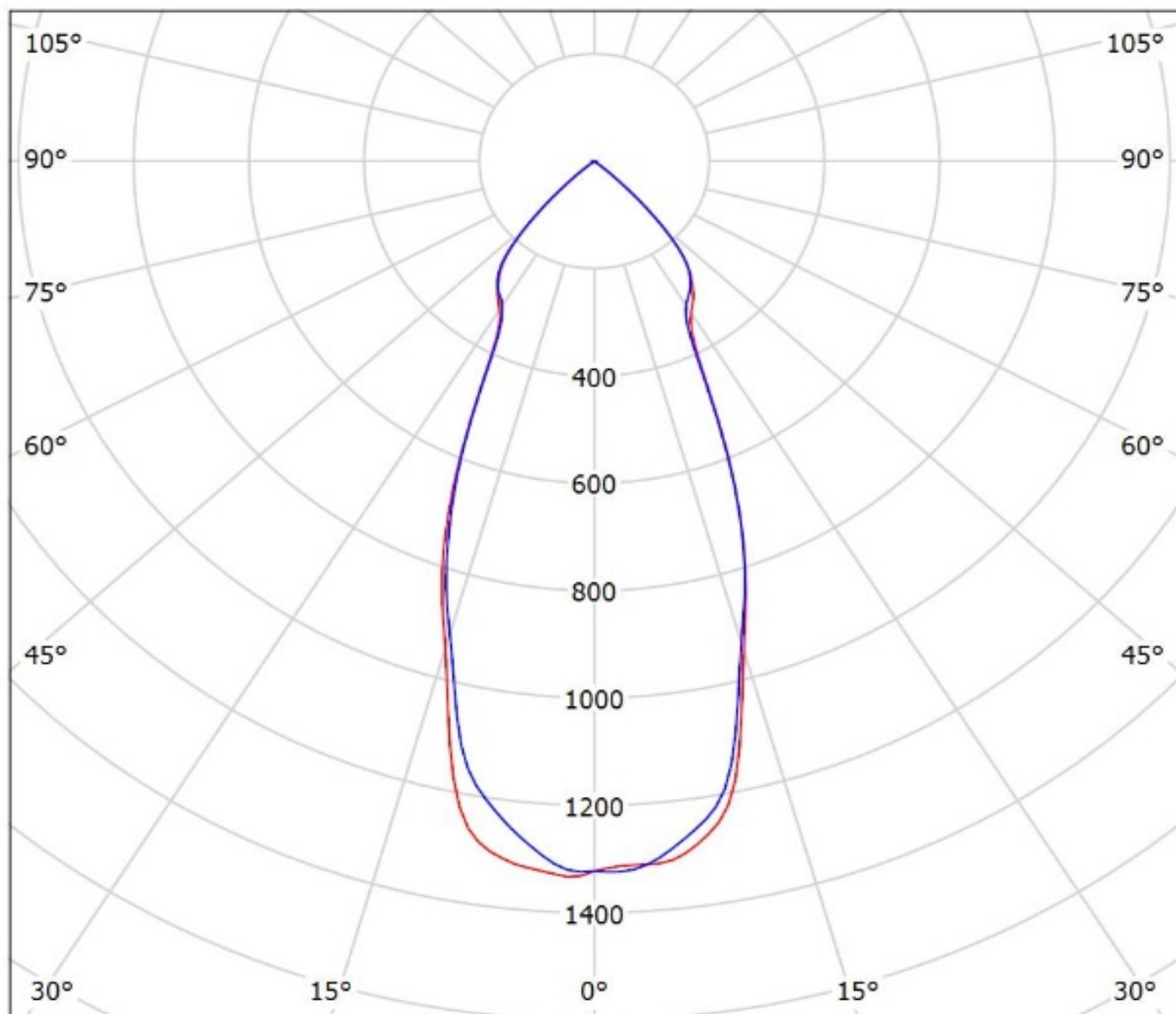
Luminaire: Ledil Oy PRELIMINARY_F14740_BROOKE-G2-W_+_F15859_HEKLA-SOCKET-I_ (SLE_G6_LES15)_SIMULATED
Lamps: 1 x Tridonic SLE G6 LES15 + F15859_HEKLA-SOCKET-I



Luminaire: Ledil Oy F14740_BROOKE-G2-W_+_F15859_HEKLA-SOCKET-I_TRIDONIC_SLE_G6_LES17_SIMULATED
Lamps: 1 x TRIDONIC SLE G6 LES17



Luminaire: Ledil Oy F14740_BROOKE-G2-W_+_F15255_HEKLA-SOCKET-C_(CLU028)_SIMULATED
Lamps: 1 x Citizen CLU028-1204C4-303M2K1 + F15255_HEKLA-SOCKET-C



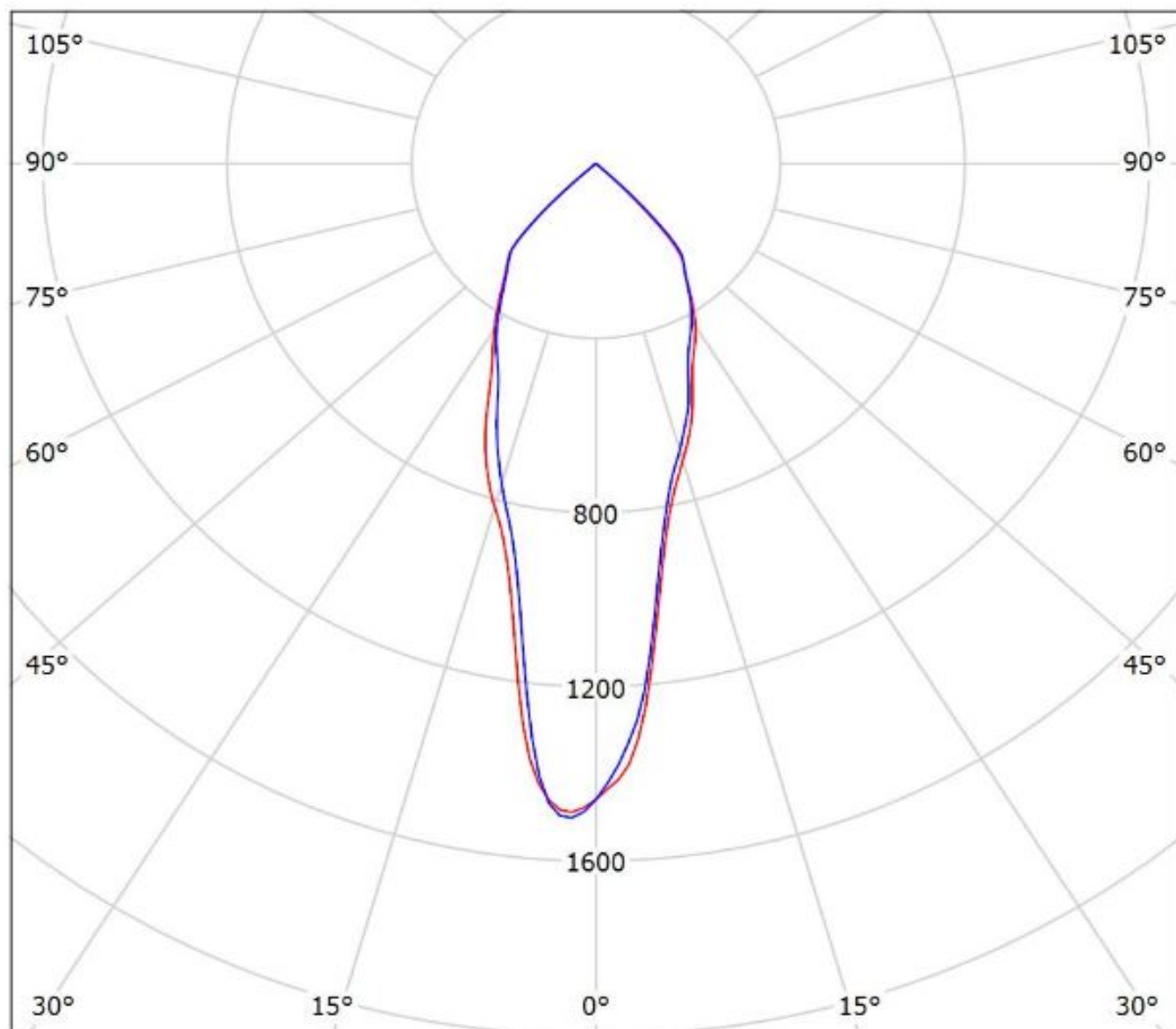
cd/klm

— C0 - C180 — C90 - C270

$\eta = 92\%$

Luminaire: Ledil F14740_BROOKE-G2-W_(MJT_6W_Les6)

Lamps: 1 x Seoul_MJT_6W_Les6mm_(SAWx0661A)_838.42lm@180mA_P=6.48702W_I=0.18A



cd/klm

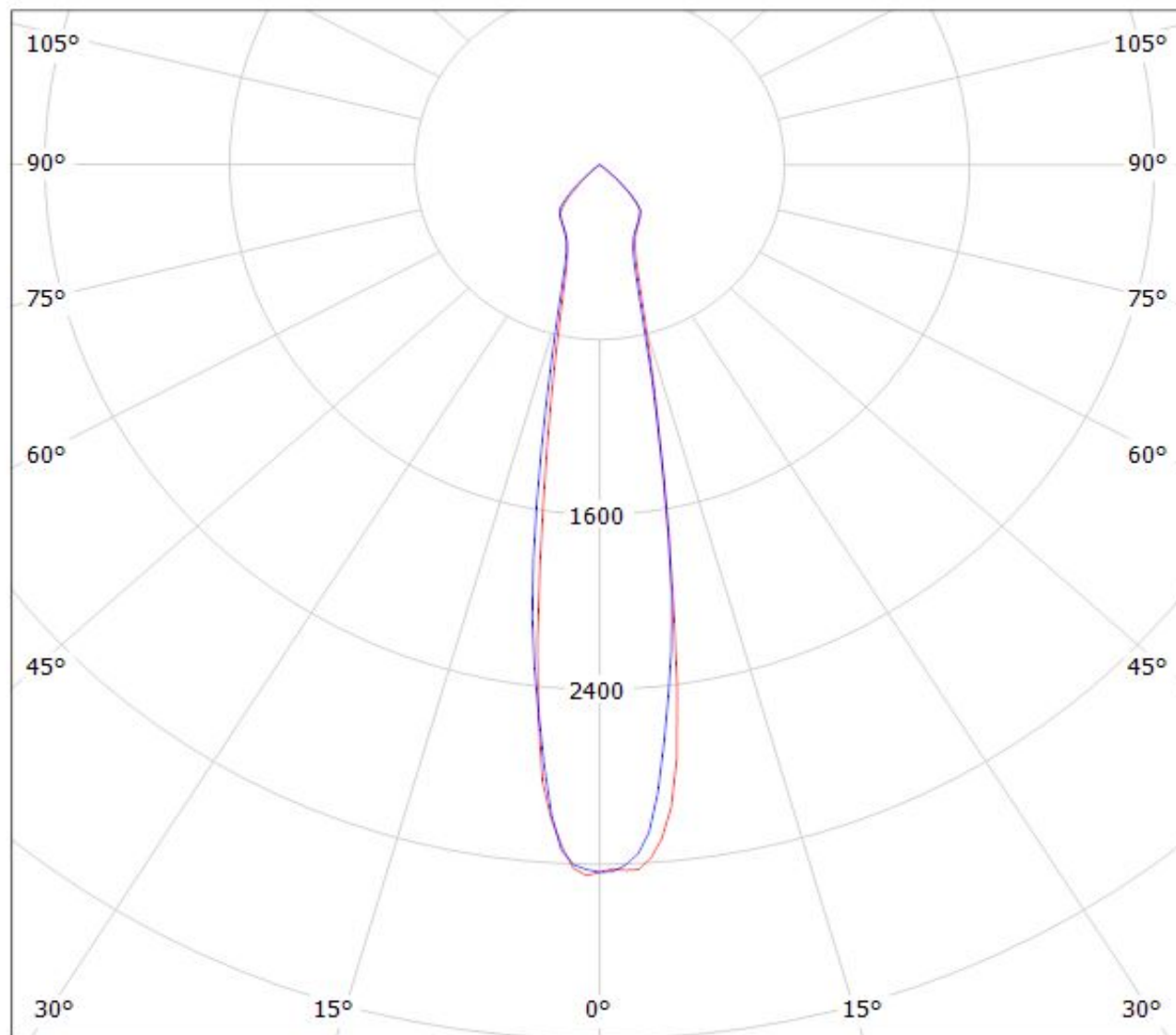
— C0 - C180

— C90 - C270

$\eta = 93\%$

Luminaire: Ledil F14740_BROOKE-G2-W_(MJT_12W_Les9,8)

Lamps: 1 x Seoul_MJT_12W_Les9.8mm_(SAWx1063A)_1269.11lm@250mA_P=8.415W_I=0.25A



cd/klm

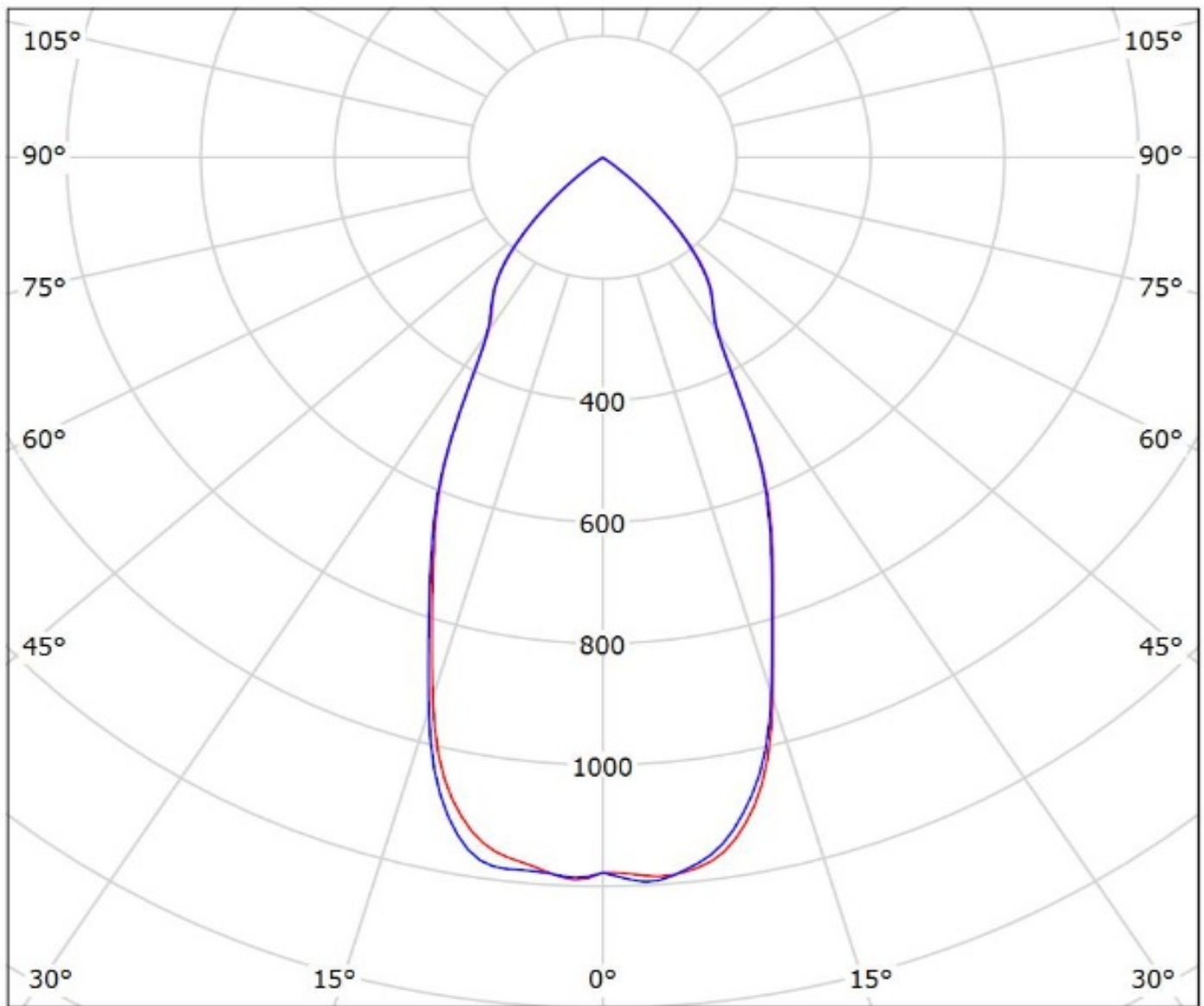
— C0 - C180

— C90 - C270

$\eta = 92\%$

Luminaire: Ledil Oy PRELIMINARY_F14740_BROOKE-G2-W_+_F15859_HEKLA-SOCKET-I_ (SLE_G6_LES15)_SIMULATED

Lamps: 1 x Tridonic SLE G6 LES15 + F15859_HEKLA-SOCKET-I

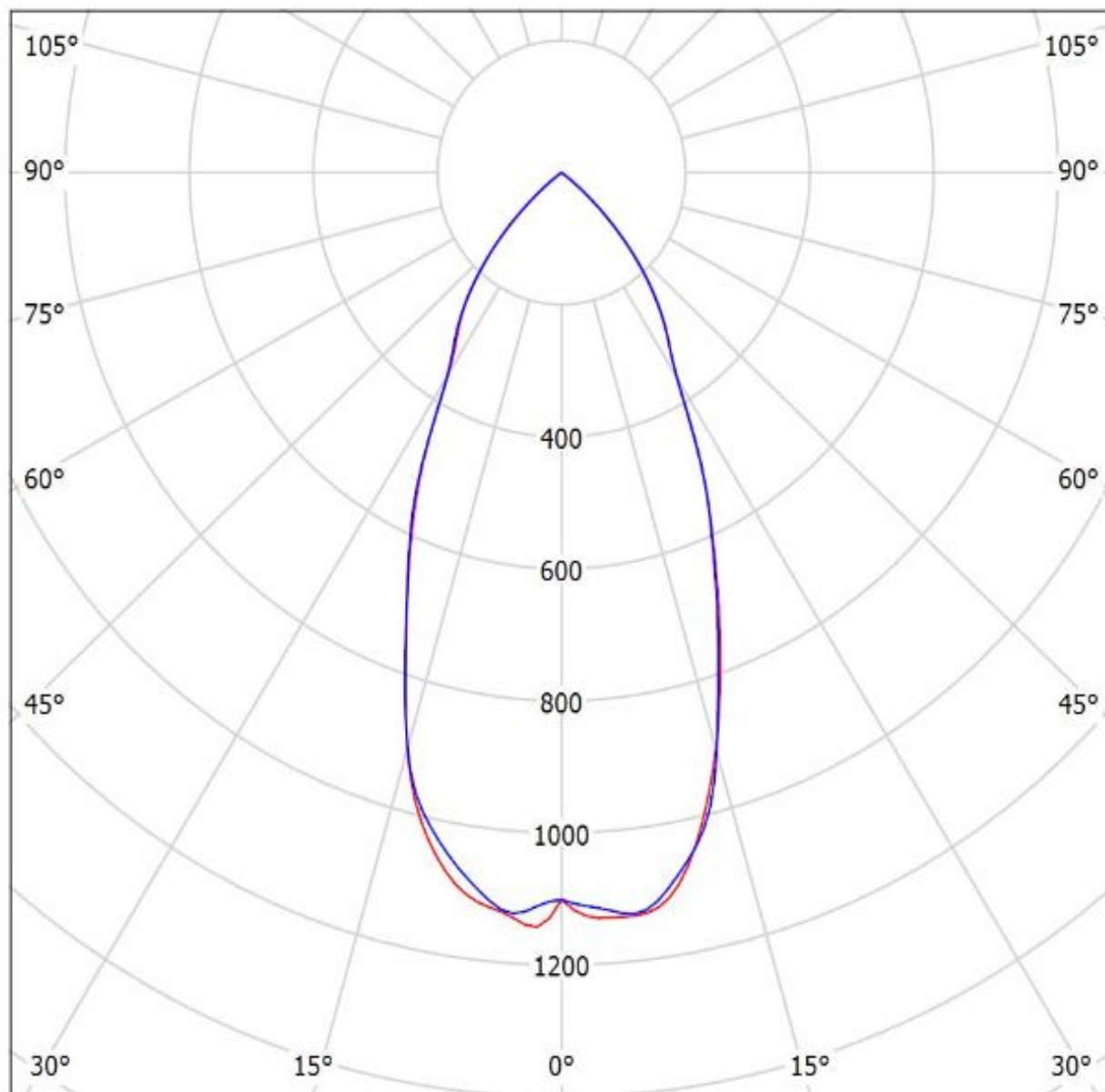


cd/klm

— C0 - C180 — C90 - C270

$\eta = 92\%$

Luminaire: Ledil Oy F14740_BROOKE-G2-W_+_F15859_HEKLA-SOCKET-I_TRIDONIC_SLE_G6_LES17_SIMULATED
Lamps: 1 x TRIDONIC SLE G6 LES17



cd/klm

— C0 - C180 — C90 - C270

$\eta = 92\%$

NOTE: The typical divergence will be changed by different color, chip size and chip position tolerance. The typical total divergence is the full angle measured where the luminous intensity is half of the peak value.

GENERAL INFORMATION

- Product series especially designed & optimized for series of LEDs.
- Special care taken to make light distribution as uniform as possible.

Note! Due to use of high power COB's with this product, special attention to proper thermal design is highly recommended. LEDiL has no liability for direct, indirect or consecutive damages arising from the LEDiL products being used outside of the recommended temperature range.