

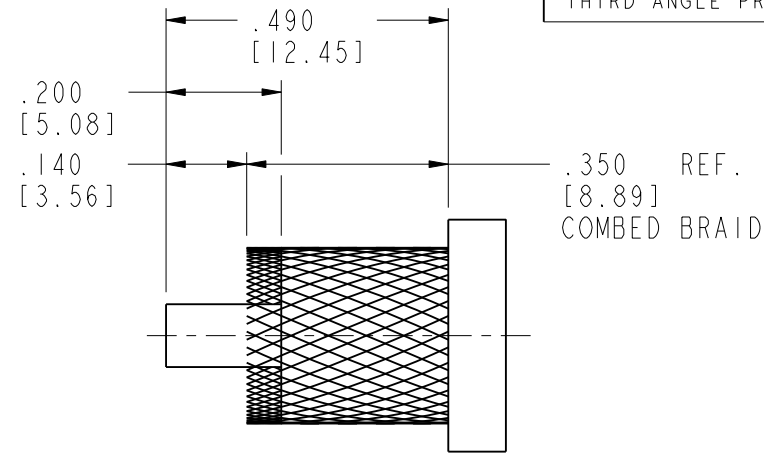
NOTES:

1. MATERIALS AND FINISHES:  
 BODY - BRASS, NICKEL PLATING  
 CONTACT - BRASS, SILVER PLATING  
 INSULATOR - PTFE, NATURAL
2. ELECTRICAL:  
 A. DIELECTRIC WITHSTANDING VOLTAGE: 1500 VRMS, MIN.
3. MECHANICAL:  
 A. DURABILITY: 500 CYCLES MIN.  
 B. TEMPERATURE RANGE: -65° C TO +165° C

THIRD ANGLE PROJ.

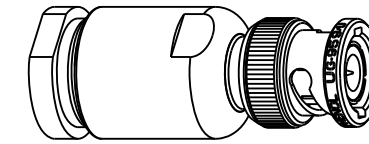
REVISIONS

REV	DESCRIPTION	DATE	ECO	APPR
A	RELEASE TO MFG.	20-Feb-63	7791	
B	SHELL WAS CHANGED	28-Sep-06	46174	SH
AB	SPRING WAS CHANGED	11-Mar-10	47687	SH
AC	SYNC THE DRAWING WITH DANBURY	04-Jul-12	48590	SH

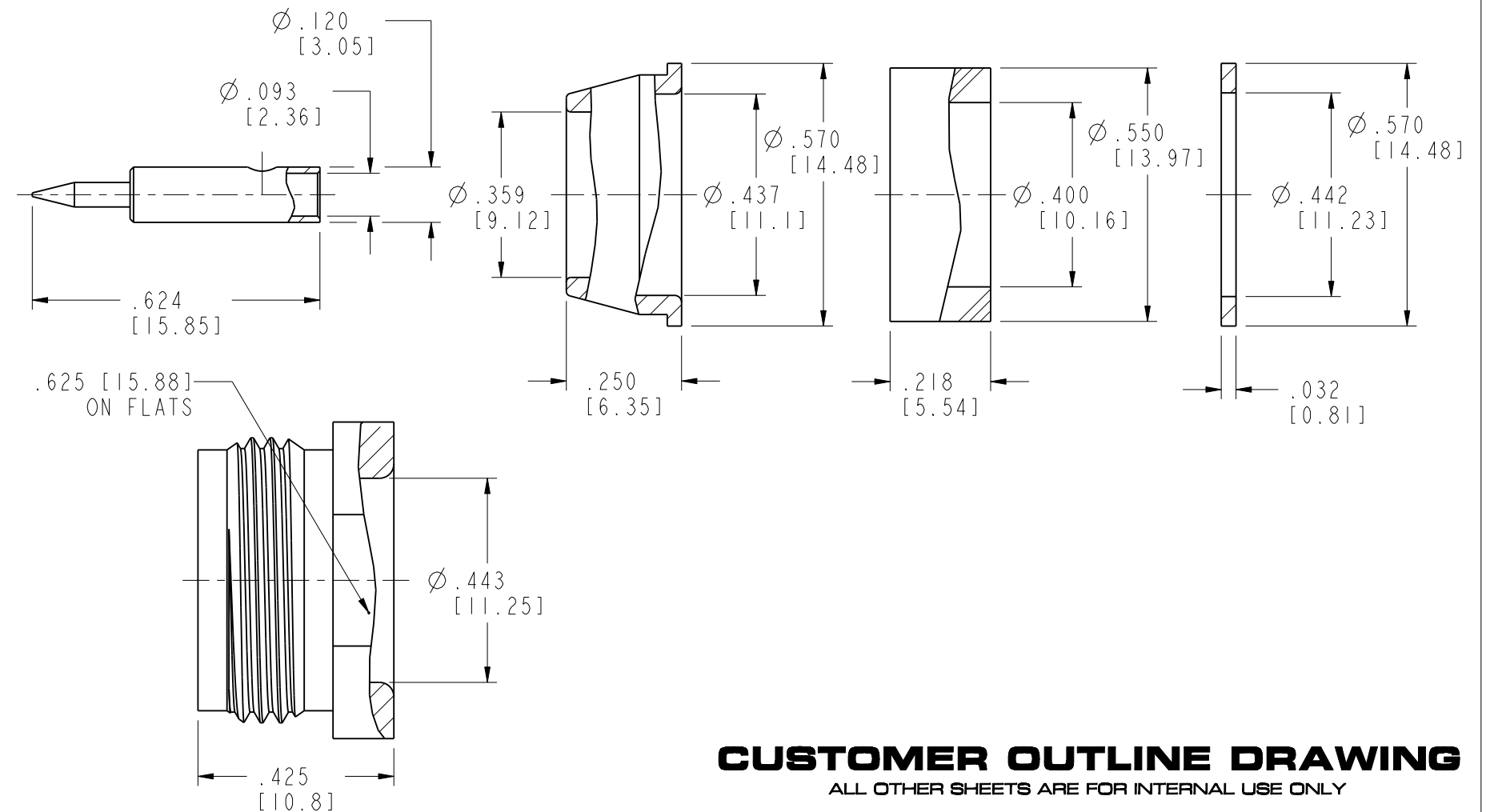
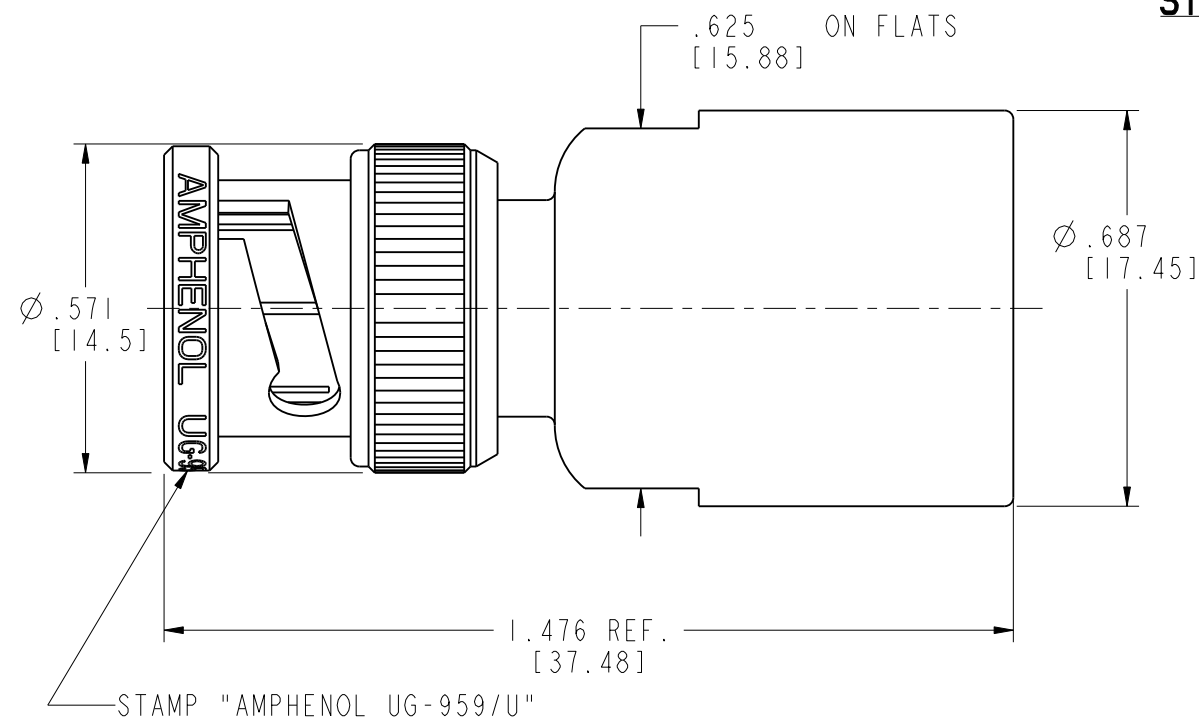


SCALE 3.000

**RECOMMENDED CABLE STRIPPING DIMENSIONS**



SCALE 1.000



**CUSTOMER OUTLINE DRAWING**  
 ALL OTHER SHEETS ARE FOR INTERNAL USE ONLY

UNLESS OTHERWISE SPECIFIED, DIMENSIONS ARE IN INCHES AND TOLERANCES ARE: 2 PLACE DECIMAL 3 PLACE DECIMAL ANGLES ±.015 (0.381 mm) ±.005 (0.127 mm) ± 1°	MATERIAL	DRAWN T. DENG	DATE 03-Jul-12	TITLE BNC PLUG (FOR RG-8/U CABLE)	Amphenol RF www.amphenolrf.com
	REFERENCE UG-959/U	ENGINEER N. SLADEK	DATE 20-Mar-80		
NOTICE - These drawings, specifications, or other data (1) are, and remain the property of Amphenol corp. (2) must be returned upon request; and (3) are confidential and not to be disclosed to any person other than those to whom they are given by Amphenol Corp. the furnishing of these drawings, specifications, or other data by Amphenol Corp., or to any other person to anyone for any purpose is not to be regarded by implication or otherwise in any manner licensing, granting rights to permitting such holder or any other person to manufacture, use or sell any product, process or design, patented or otherwise, that may in any way be related to or disclosed by said drawings, specifications, or other data.	CONFIGURATION LEVEL:	APPROVED S. HSIEH	DATE 04-Jul-12	SCALE: 3.0:1.0 SHEET 2 OF 2	DRAWING NO. 6775
	FINISH	CAD FILE	DWG SIZE B	REV AC	ITEM NO. 6775