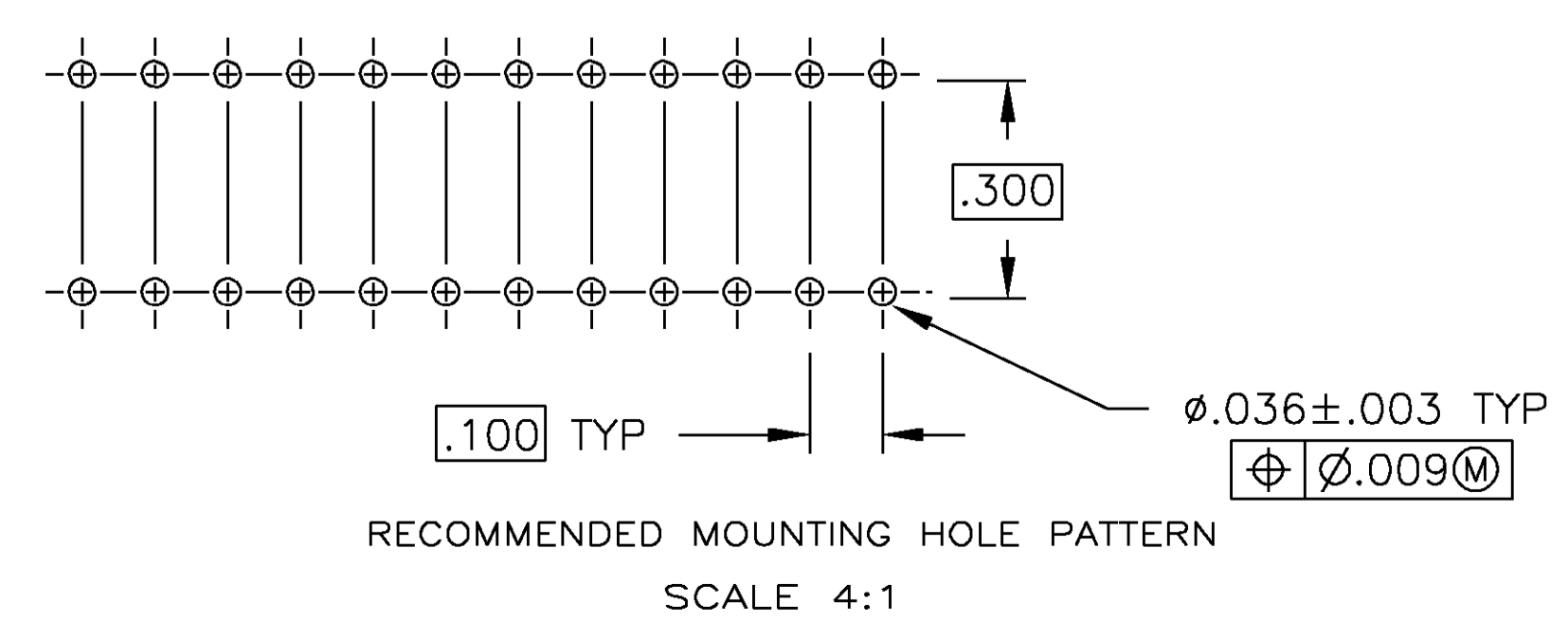
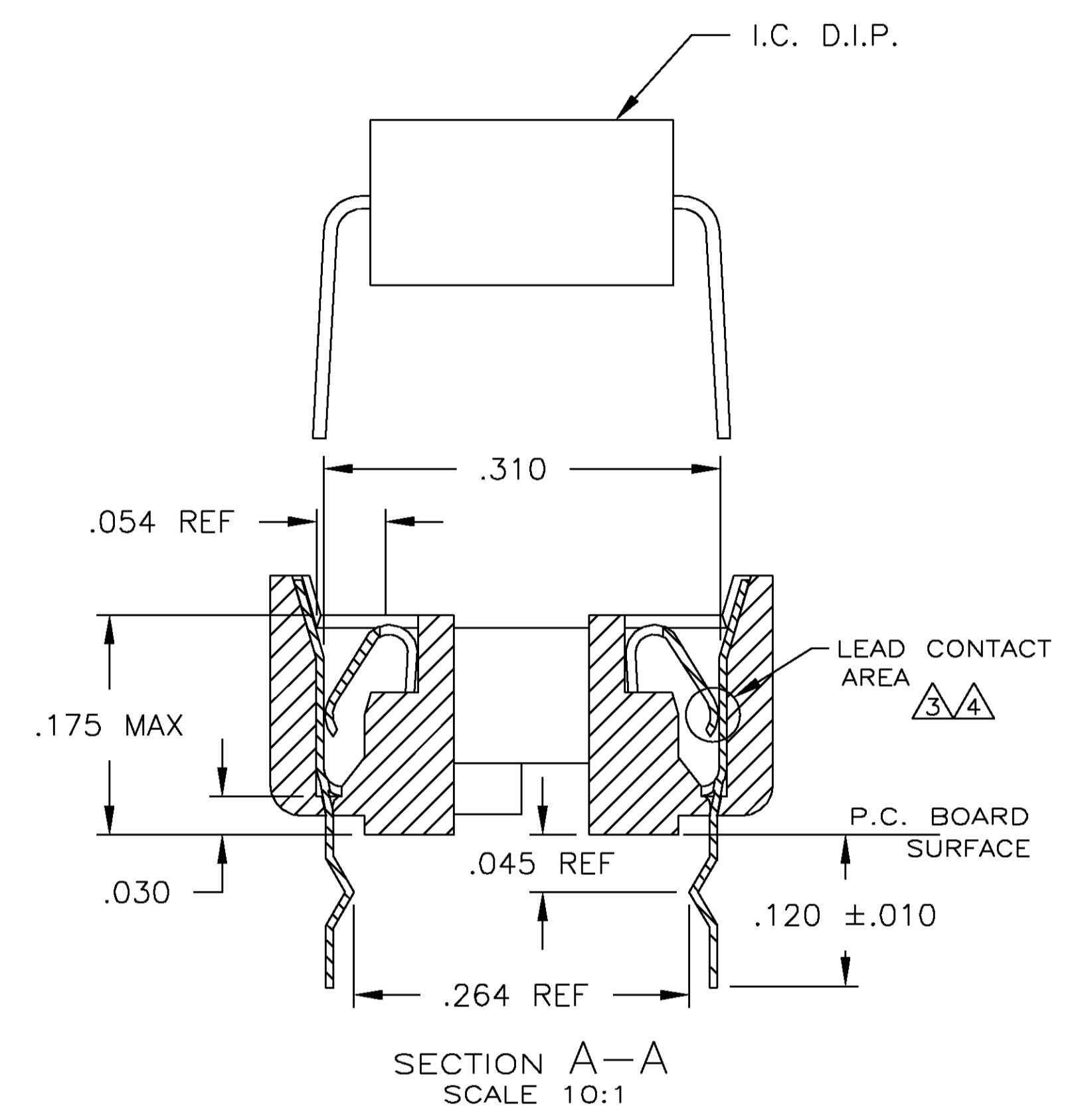
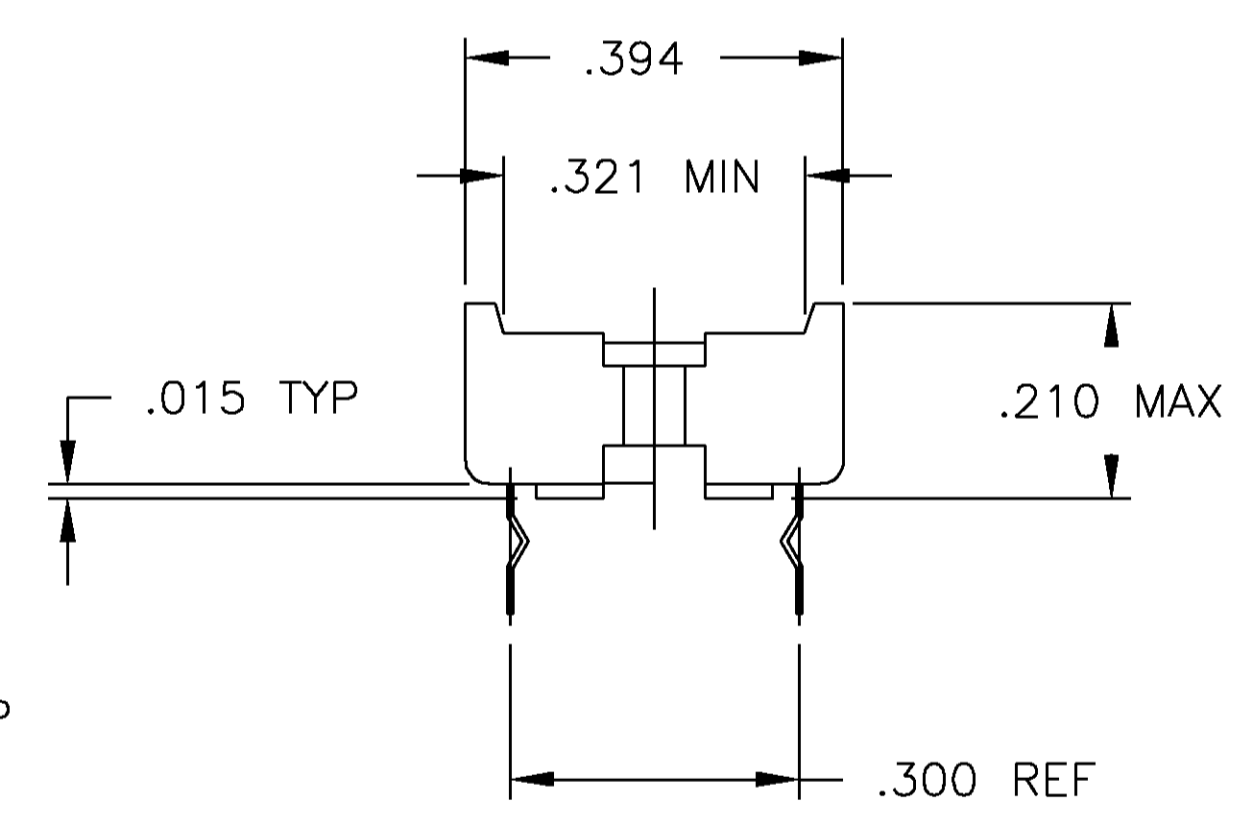
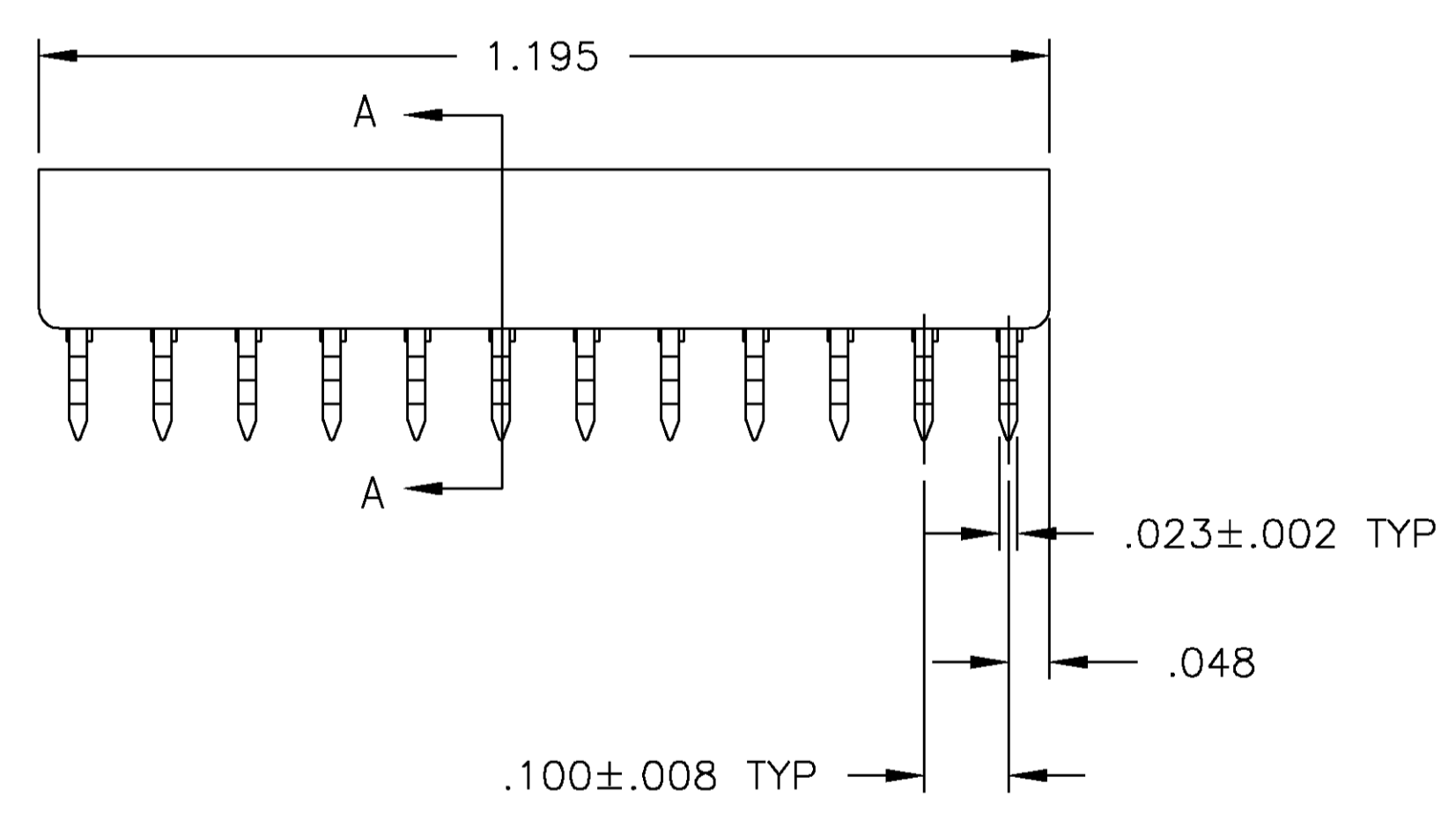
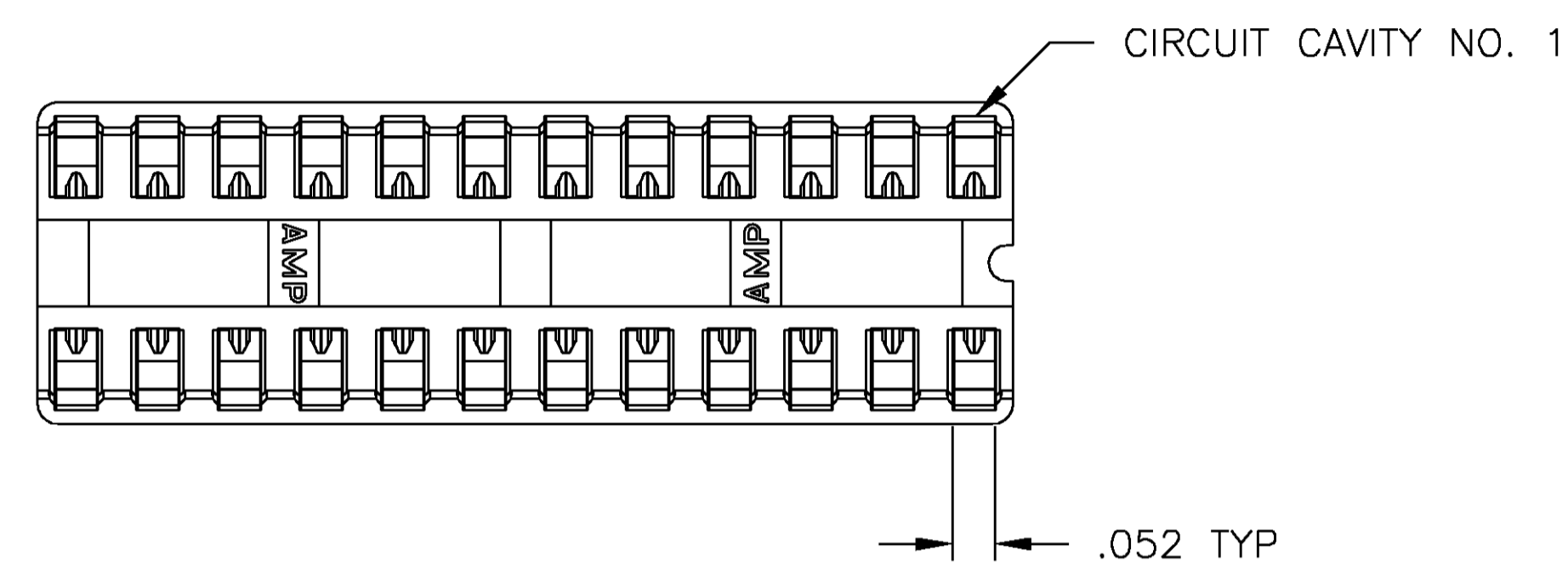


1. RECEPTACLE ACCEPTS A .008-.014 THICK I.C. LEAD.
2. TUBE LOADED.
3. TWO .000030 MIN THK. GOLD STRIPES IN CONTACT AREA WITH TIN-LEAD (93/7) ON CONTACT LEGS, BALANCE OF CONTACT NICKEL PLATED.
4. TWO .000015 MIN THK. GOLD STRIPES IN CONTACT AREA WITH TIN-LEAD (93/7) ON CONTACT LEGS, BALANCE OF CONTACT NICKEL PLATED.



OBSOLETE	TINNED	PHOS.BRZ. .006 THK	GLASS-FILLED THERMOPLASTIC, 94V-O, BLACK	2-641933-5
OBSOLETE	3	PHOS.BRZ. .006 THK	GLASS-FILLED THERMOPLASTIC, 94V-O, BLACK	2-641933-4
OBSOLETE	TINNED	PHOS.BRZ. .006 THK	GLASS-FILLED THERMOPLASTIC, 94V-O, BLACK	2-641933-3
OBSOLETE	4	BE.CU. .006 THK	GLASS-FILLED THERMOPLASTIC, 94V-O, BLACK	2-641933-2
	TINNED	BE.CU. .006 THK	GLASS-FILLED THERMOPLASTIC, 94V-O, BLACK	2-641933-1
CONTACT FINISH		CONTACT MAT'L	HOUSING MATERIAL	PART NO.
THIS DRAWING IS A CONTROLLED DOCUMENT.				
DIMENSIONS:		TOLERANCES UNLESS OTHERWISE SPECIFIED:		DWG
INCHES		0 PLC ± -		R BROWN
		1 PLC ± -		OSJAN01
		2 PLC ± -		17NOV00
		3 PLC ± .005		DWG
		4 PLC ± -		H WYNKOOP
		ANGLES ± 04-30'		APVD
				H WYNKOOP
MATERIAL		FINISH		NAME
SEE TABLE		SEE TABLE		17NOV00
				PRODUCT SPEC
				108-1066
				APPLICATION SPEC
				114-1049
				SIZE
				A1
				CAGE CODE
				00779
				DRAWING NO
				641933
				RESTRICTED TO
				-
				CUSTOMER DRAWING
				SCALE
				5:1
				SHEET
				1 OF 1
				REV
				V