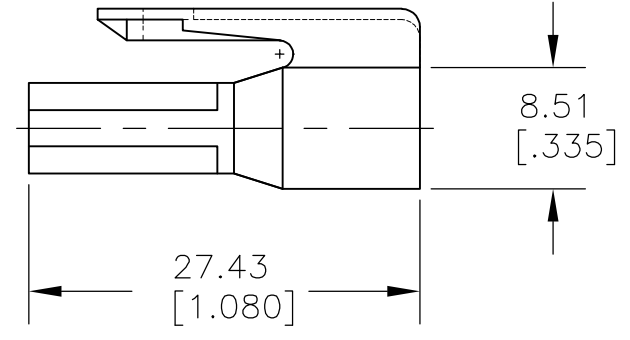
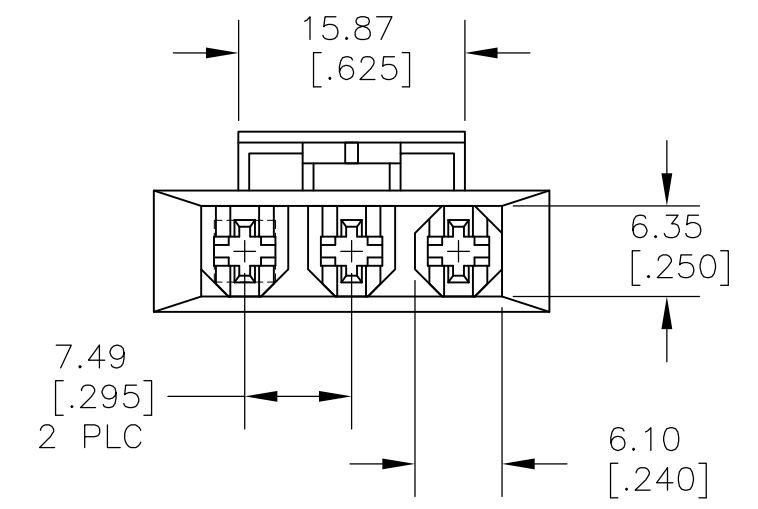
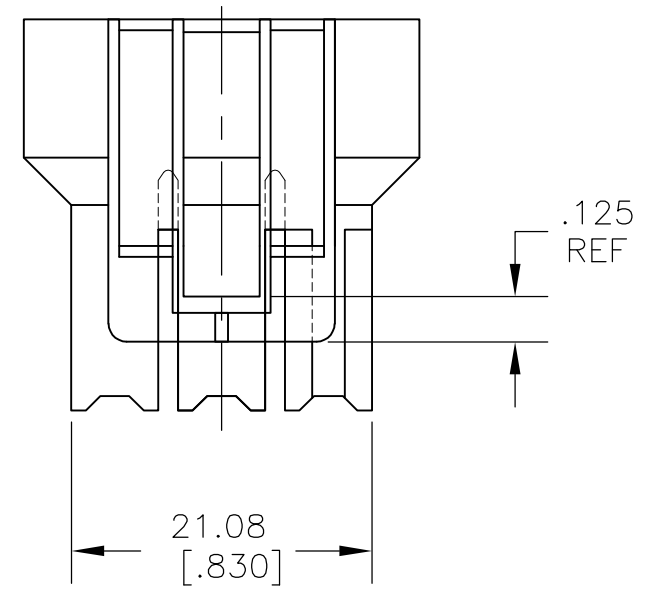


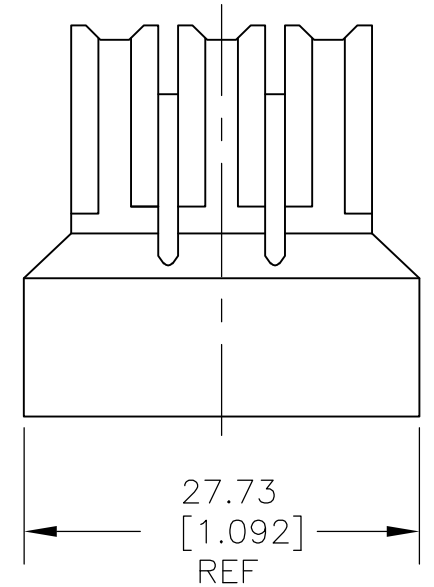
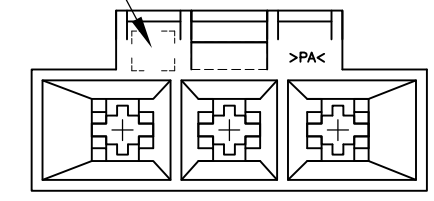
THIS DRAWING IS UNPUBLISHED. RELEASED FOR PUBLICATION  
 © COPYRIGHT BY TYCO ELECTRONICS CORPORATION. ALL INTERNATIONAL RIGHTS RESERVED.

LOC	DIST	REVISIONS			
P	LTR	DESCRIPTION	DATE	DWN	APVD
AF	50	C2	REVISED PER ECR 10-007338	05APR10	JR MS

1 PART ACCEPTS 3.18 [.125] RECEPTACLE  
 CONTACT P/N 1217039-1



TYCO ELECTRONICS  
 LOGO LOCATION



BLACK	NYLON 66 UL94 VO	1969197-1
COLOR	MATERIAL	PART NO

THIS DRAWING IS A CONTROLLED DOCUMENT.		DWN jr ruth 21MAY08	Tyco Electronics Corporation Harrisburg, PA 17105-3608	
DIMENSIONS: mm [INCHES]		CHK DON DECKER 21MAY08	NAME DON DECKER	
TOLERANCES UNLESS OTHERWISE SPECIFIED: 0 PLC ± - 1 PLC ± - 2 PLC ± 0.25 [.010] 3 PLC ± - 4 PLC ± - ANGLES ± ± 5'		APVD DON DECKER 21MAY08	PRODUCT SPEC HOUSING, PLUG, 3 CIRCUIT, 3.18 [.125] BLADE	
MATERIAL SEE TABLE		FINISH SEE TABLE	APPLICATION SPEC -	RESTRICTED TO -
MATERIAL SEE TABLE		FINISH SEE TABLE	WEIGHT -	SIZE A2
MATERIAL SEE TABLE		FINISH SEE TABLE	WEIGHT -	CAGE CODE 00779
MATERIAL SEE TABLE		FINISH SEE TABLE	WEIGHT -	DRAWING NO 1969197
MATERIAL SEE TABLE		FINISH SEE TABLE	WEIGHT -	SCALE 2:1
MATERIAL SEE TABLE		FINISH SEE TABLE	WEIGHT -	SHEET 1 OF 1
MATERIAL SEE TABLE		FINISH SEE TABLE	WEIGHT -	REV C2