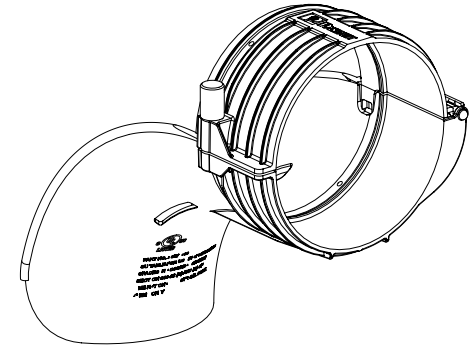
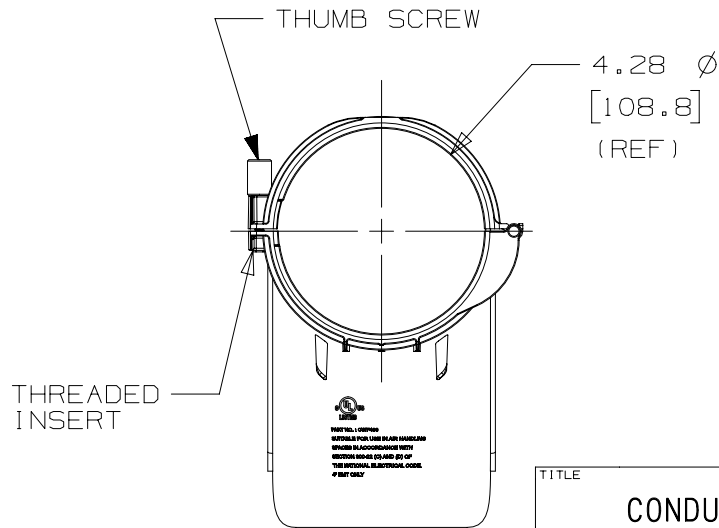
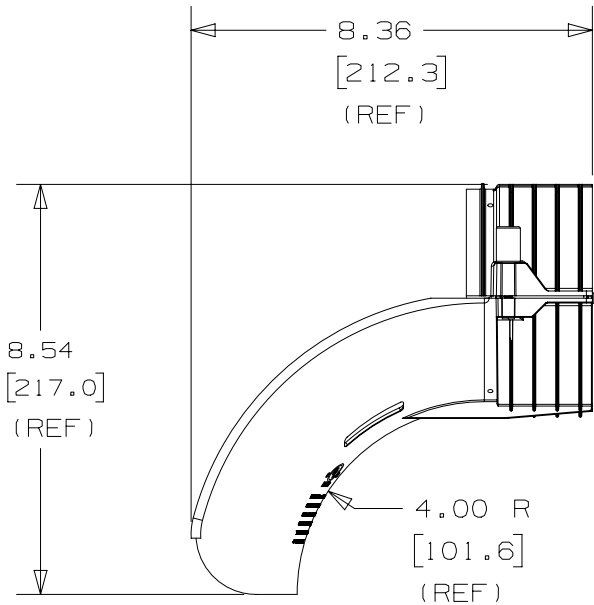
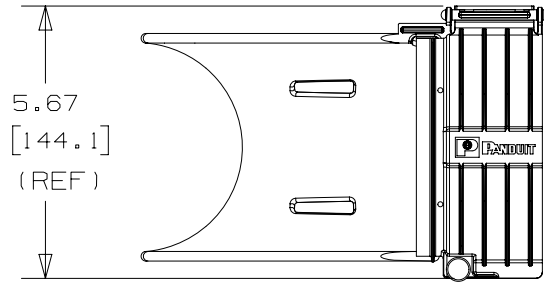


THIS COPY IS PROVIDED ON A RESTRICTED BASIS AND IS NOT TO BE USED IN ANY WAY DETRIMENTAL TO THE INTERESTS OF PANDUIT CORP.

**NOTES:**

1. SEE CURRENT PRICE SHEET FOR PART NUMBER SUFFIX DESIGNATION FOR PACKAGE SIZE AND PRODUCT COLOR.
2. MOLDED MATERIAL: FR GLASS FILLED NYLON 6/6  
 THUMB SCREW MATERIAL: BRASS  
 THREADED INSERT MATERIAL: ALUMINUM
3. PRODUCT IS DESIGNED TO SUPPORT A MAXIMUM OF 4" (101.6) DIAMETER BUNDLE. MAXIMUM RECOMMENDED STATIC LOAD: 40 lbs (18.1kg).
4. PRODUCT IS DESIGNED FOR 4" EMT TUBING.



ISO VIEW  
SCALE 1 : 4

PANDUIT PART NO.	WEIGHT lbs 1 (g) pc
CWF400	0.53 (240)

TITLE		CONDUIT WATERFALL - 4" EMT COMPATIBLE (CWF400)			CUSTOMER DRAWING	
ITEM REVISION NAME		G03597YA/01			<b>PANDUIT</b>	
DATASET FILE NAME		G03597YA_DC/01B				
MATERIAL:		N/A			DRAWING NUMBER: GB3203CA - DC	
DRAWN BY		DATE	CHK	SCALE	THIRD ANGLE PROJECTION	
JAD		1/9/07		NONE	SHT 1 OF 1	
REV	DATE	BY	CHK	APR	DESCRIPTION	ECN
01B	11/17/17	MEX-JAGC	DWR	DWR	A. CADFILE NAME CHANGED B. NOTES UPDATED	V09001MY
R	1/9/07	JAD			INITIAL RELEASE	GB3203CA

D10100DA/20