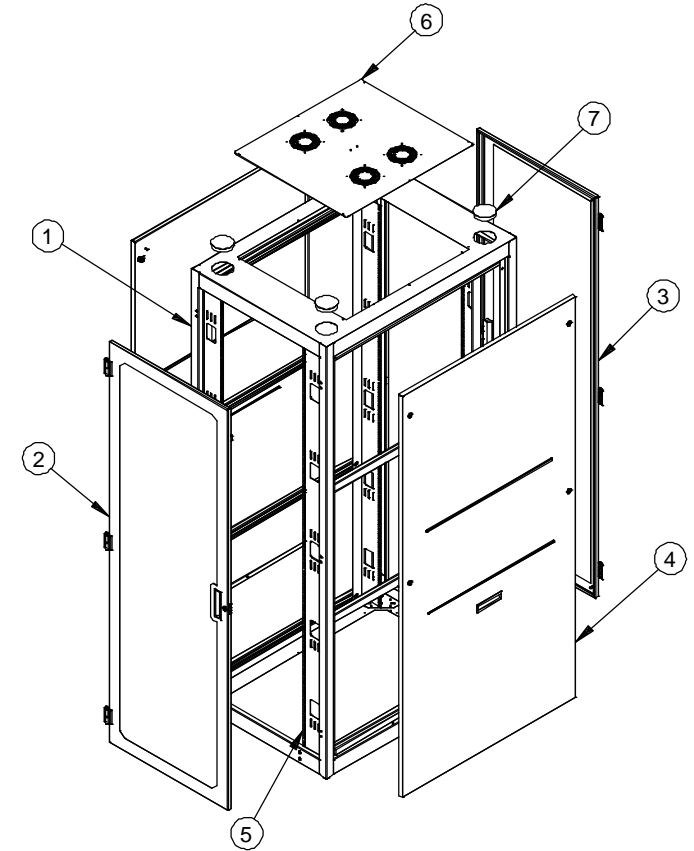


Item #	Description	Qty
1	C4F - CABINET FRAME	1
2	C4D - FLUSH PLEXI DOOR	1
3	C4D - FLUSH VENTED DOOR	1
4	C4SP - SOLID SIDE PANEL	2
5	C4PR - 19" PANEL RAILS, SQ. HOLES	4
6	C4T - TOP PANEL, VENTED/FAN CUTOUTS	1
7	PLUG - 3.50" DIA. HOLE	4



C4RR - DATACOM CABINET ASSEMBLY

COMPONENT NUMBER	A WIDTH	B DEPTH	C	D
C4RR307731D	30.000	31.500	24.062	14.000
C4RR307736D	30.000	36.000	24.062	22.750
PART SHOWN - C4RR307742D	30.000	42.000	24.062	27.250