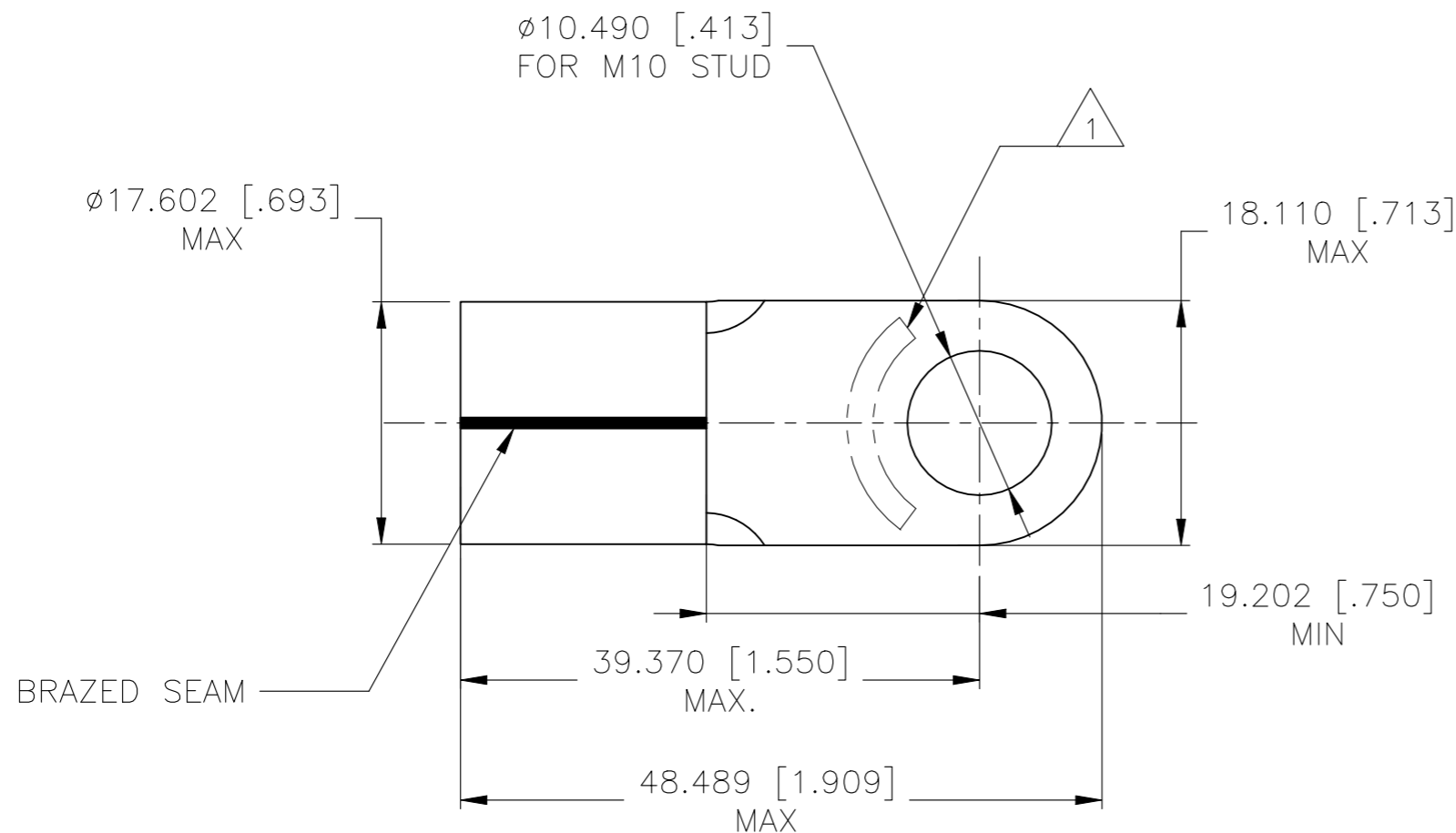
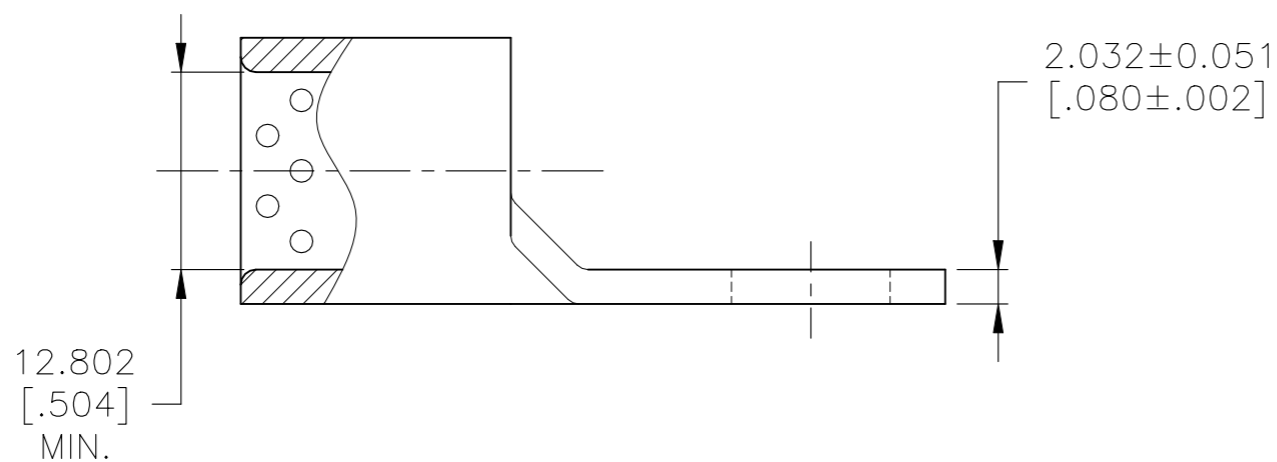


REVISIONS

P	LTR	DESCRIPTION	DATE	DWN	APVD
D1		ECO-20-004274	17MAR2021	RK	DR



- 1 STAMP: AMP 2/0 W* APPROX AS SHOWN.
- 2 MATERIAL: COPPER PER ASTM B152.
- 3 FINISH: NICKEL PLATE 0.00762 [.000300] MIN EXT THK PER SAE AMS QQ-N-290.



50	LOOSE PIECE	134755-2
QTY	PACKAGE TYPE	PART NUMBER

MAX. TEMP: 343°C [649°F]	THIS DRAWING IS A CONTROLLED DOCUMENT.		DWN A.DUPOUIS 28/01/91	TE Connectivity TERMINAL, RING TONGUE, STRATO-THERM, HEAT RESISTANT, WIRE SIZE: 2/0 AWG		
	VOLTAGE RATING: N/A	DIMENSIONS: mm [INCHES]	TOLERANCES UNLESS OTHERWISE SPECIFIED:			
CIRCULAR MIL AREA: 60.6-76.3 MM ² [119,500-150,500] SOLID OR STRAUNDED	MATERIAL 2	0 PLC ± - 1 PLC ± - 2 PLC ± - 3 PLC ± 0.127[.005] 4 PLC ± - ANGLES ± - FINISH 3	APVD -	PRODUCT SPEC -	NAME	RESTRICTED TO -
			APPLICATION SPEC 114-2162	WEIGHT -	SIZE A3	
CUSTOMER DRAWING			SCALE 2:1	SHEET 1 OF 1	REV D1	