

4

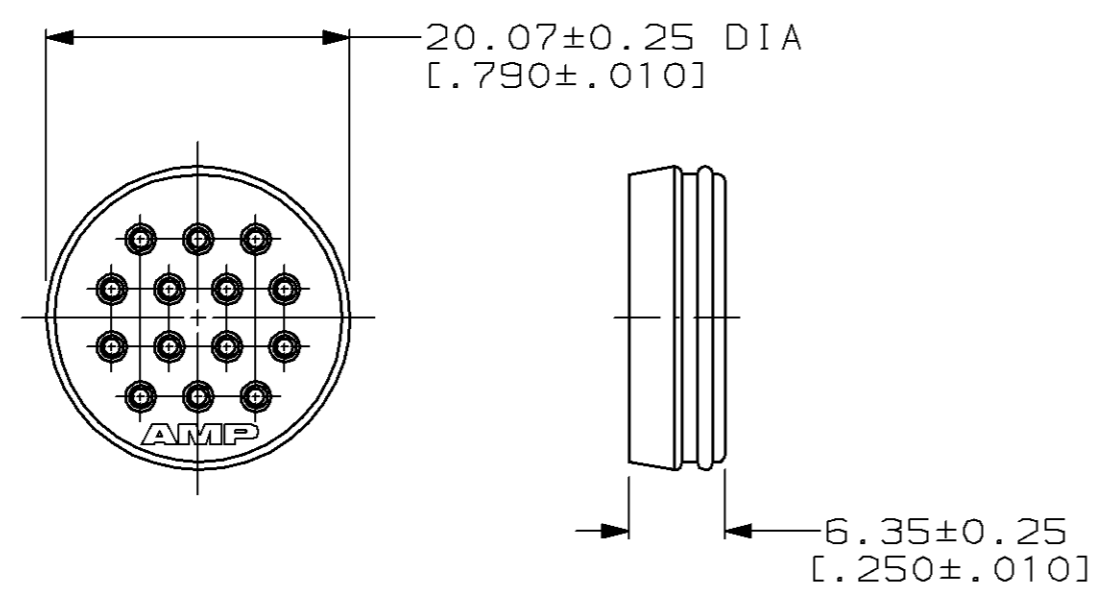
3

2

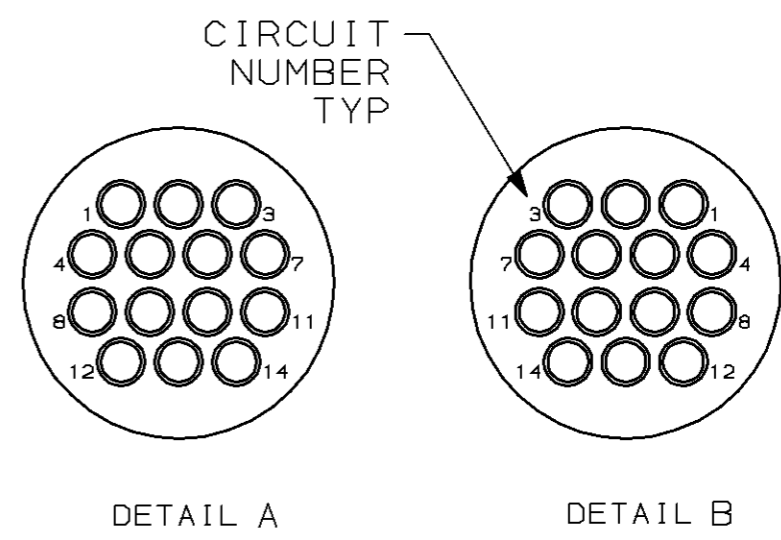
1

THIS DRAWING IS UNPUBLISHED. RELEASED FOR PUBLICATION ,19 .
 © COPYRIGHT 19 BY AMP INCORPORATED. ALL RIGHTS RESERVED.

| LOC | DIST | REVISIONS | | | | |
|-----|------|-------------|--|-----------|------|----|
| P | LTR | DESCRIPTION | DATE | DWN | APVD | |
| FT | 4 | 0 | RLSE -1, -2 PER NPR 5429, WAS 95-5029-01 | 09 OCT 95 | - | - |
| | | A | REV PER EC 0002-187-96 | 23 FEB 96 | BC | AF |
| | | B | REV PER EC 0320-144-97 | 05 MAY 97 | CO | AF |

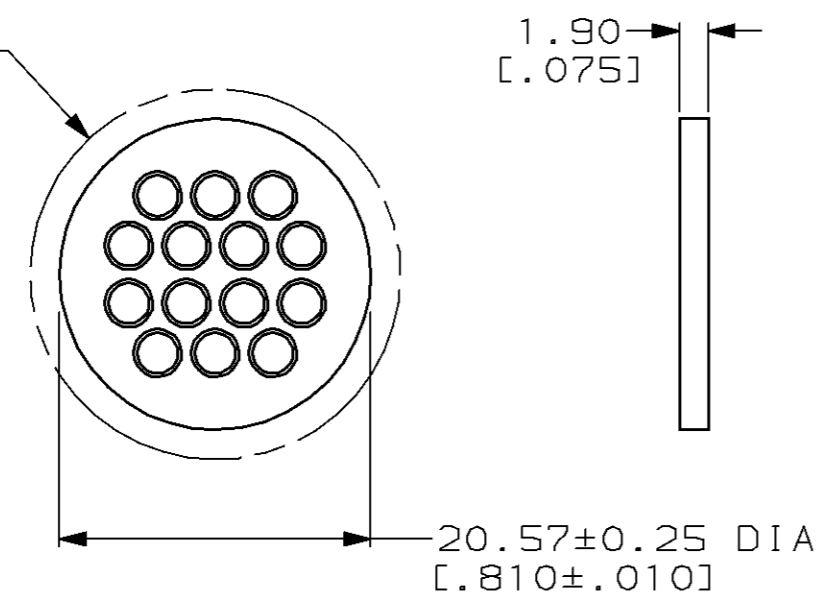


SEAL MATERIAL: SILICON, RED IRON OXIDE
 QTY=1



1. DETAIL "A" FOR USE WITH SOCKET CONTACTS.
2. DETAIL "B" FOR USE WITH PIN CONTACTS.
3. INSULATION RANGE: 1.90 [.075] TO 3.18 [.125] DIA.

SEE TABLE FOR CAVITY IDENTIFICATION DETAIL



PRESSURE PLATE MATERIAL: NYLON, BLACK
 QTY=1

| | |
|--------------|-------------|
| PER DETAIL B | 213919-2 |
| PER DETAIL A | 213919-1 |
| CAVITY IDENT | PART NUMBER |

| | | | |
|---|--------------------|--------------------------------|---|
| THIS DRAWING IS A CONTROLLED DOCUMENT FOR AMP INCORPORATED. IT IS SUBJECT TO CHANGE AND THE CONTROLLING ENGINEERING ORGANIZATION SHOULD BE CONTACTED FOR THE LATEST REVISION. | | DWN W.G.LENKER 09 OCT 95 | AMP AMP Incorporated Harrisburg, PA 17105-3608 |
| DIMENSIONS: mm [INCHES] | | CHK R.STONE 11 OCT 95 | |
| TOLERANCES UNLESS OTHERWISE SPECIFIED: | | APVD A.FRANTUM 11 OCT 95 | |
| | 0 PLC ±- | PRODUCT SPEC 108-1579 | NAME |
| | 1 PLC ±- | APPLICATION SPEC | WIRE ENTRY SEAL KIT, UNASSEMBLED, SIZE 17-14, CPC |
| | 2 PLC ±0.13 [.005] | — | SIZE |
| | 3 PLC ±- | WEIGHT | CAGE CODE |
| | 4 PLC ±- | CUSTOMER DRAWING | DRAWING NO |
| | ANGLES ±- | | A3 00779 C-213919 |
| MATERIAL SEE CALLOUTS | FINISH — | | SCALE |
| | | | 2:1 |
| | | | SHEET |
| | | | 1 OF 1 |
| | | | REV |
| | | | B |