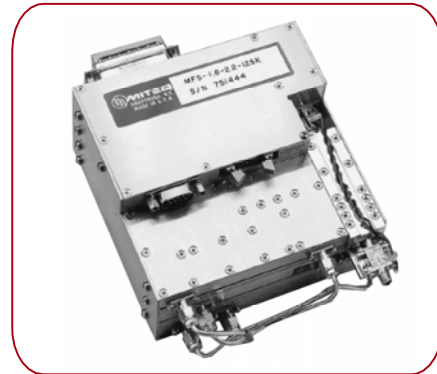


LOW PHASE NOISE SATCOM SYNTHESIZER

MFS SERIES: <3 GHz

FEATURES

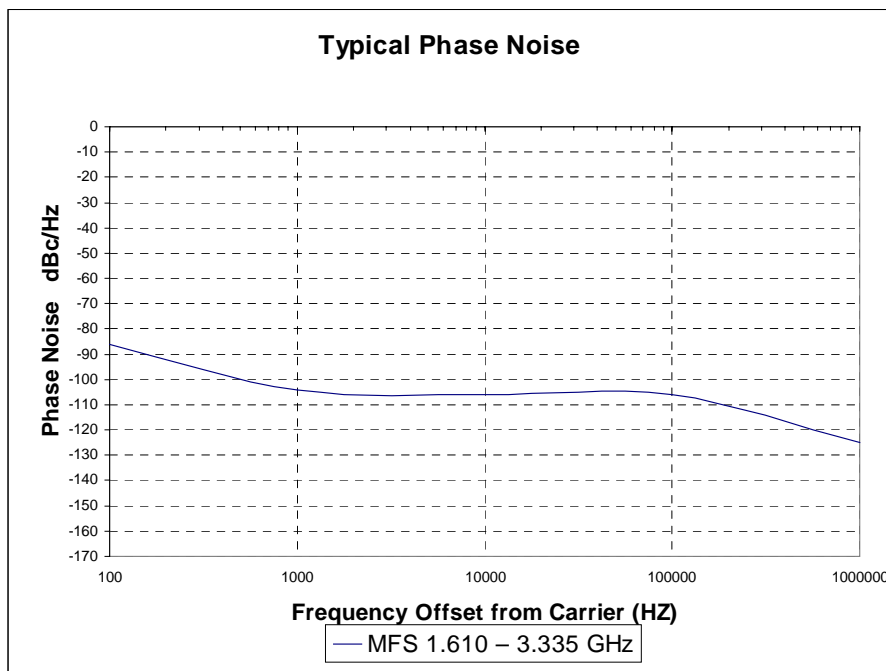
- Superior phase noise: 20 dB below INTELSAT phase noise mask
- 100% environmental screening
- Options for extended bandwidths



GUI INTERFACE (for serial programming):

Now available at

<http://amps.miteq.com/Amps2007/synthesizers/SynthControl.zip>



MECHANICAL SPECIFICATIONS

Outline drawing.....125 kHz step size:
174285, 180502
1 kHz step size:
168386, 180504

Weight
> 125 step size 3 pounds typical
< 125 step size 4.6 pounds typical

RF connectors SMA female
DC power/control connectors Refer to outline drawings

ENVIRONMENTAL SPECIFICATIONS

Temperature
Operating (surface)..... 0 to +60°C
Storage -55 to +95°C

Humidity Up to 95% at 40°C noncondensing

Shock (survival) 30 Gs, 10 ms pulse
Vibration (survival) 20 to 2000 Hz random to .04 G²/Hz

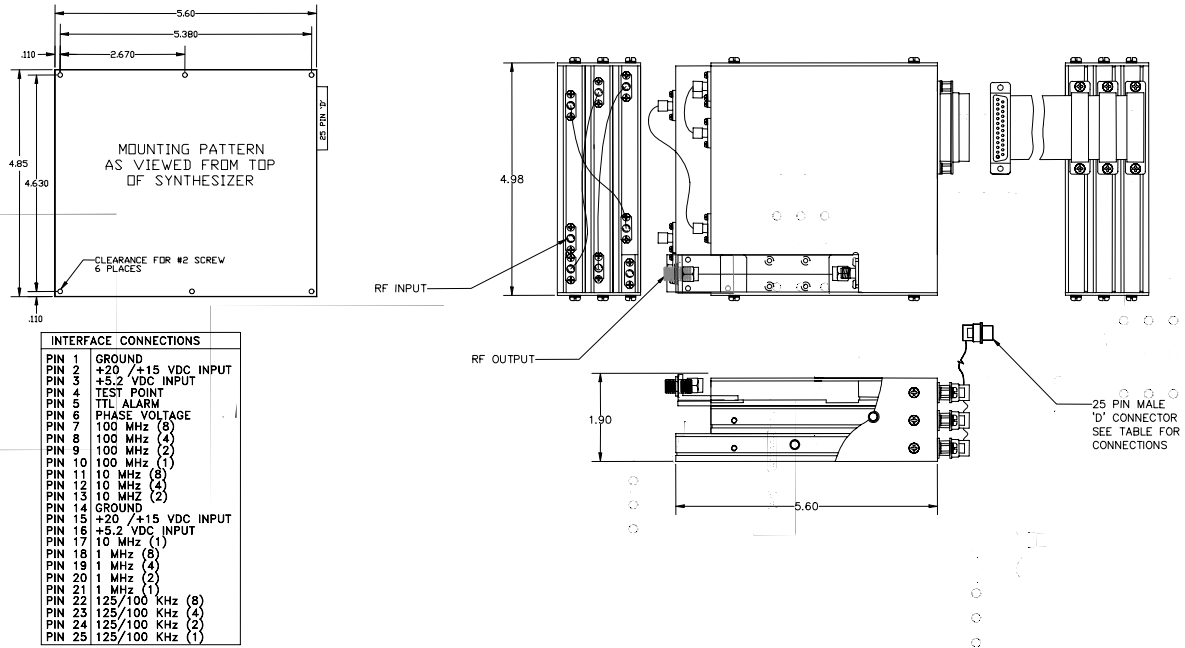
Altitude Up to 13,500 feet
100% testing..... Frequency range
Output power
Discrete power
Spectral purity
Phase bursts
Alarm and monitors

100% screening..... Temperature cycle/monitor

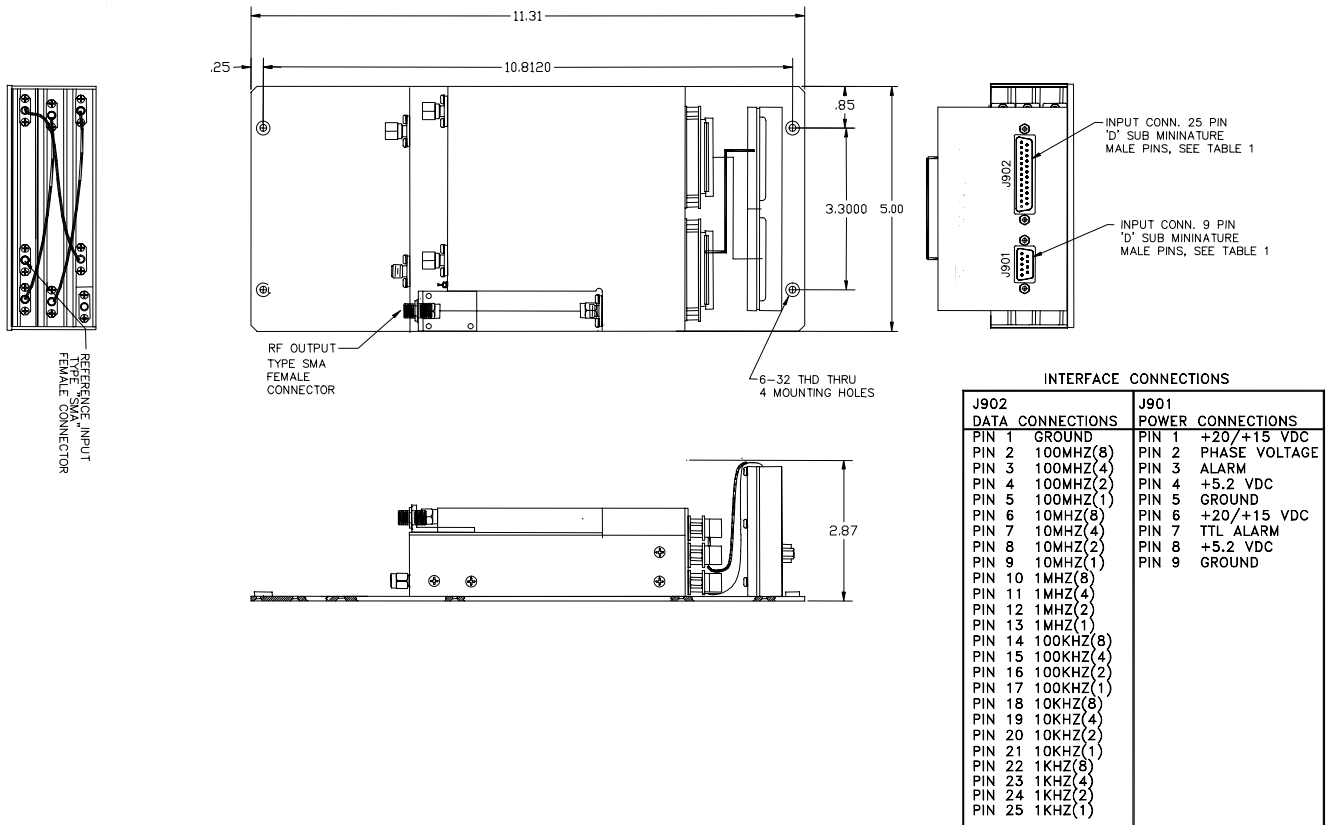


OUTLINE DRAWINGS

180502 MFS SERIES (125kHz STEP SIZE)

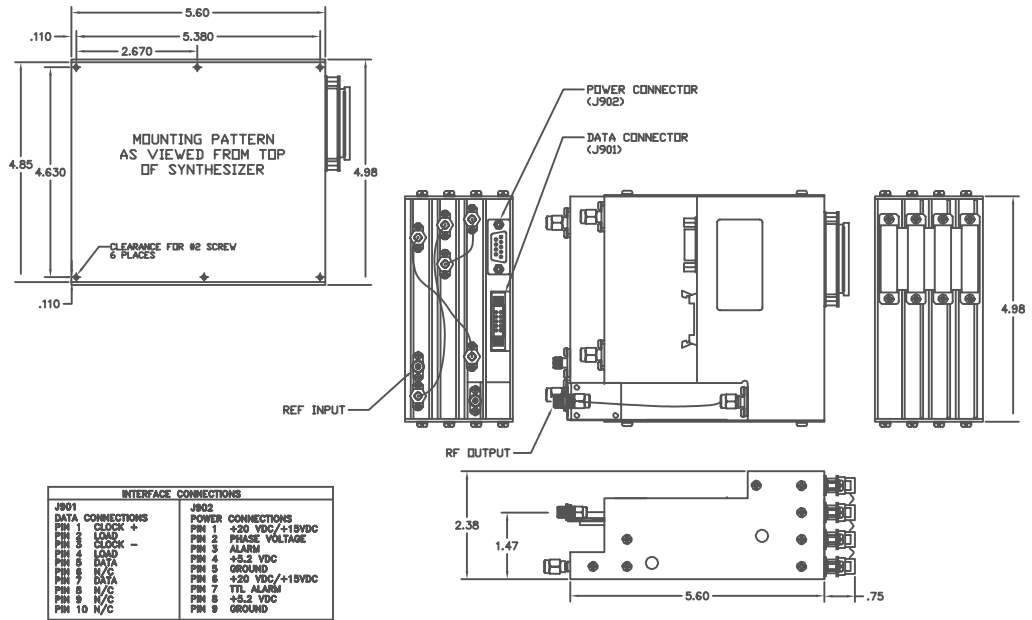


180504 MFS SERIES (1 kHz STEP SIZE)



OUTLINE DRAWINGS

174285 MFS SERIES (125 kHz STEP SIZE)



168386 MFS SERIES (1 kHz STEP SIZE)

