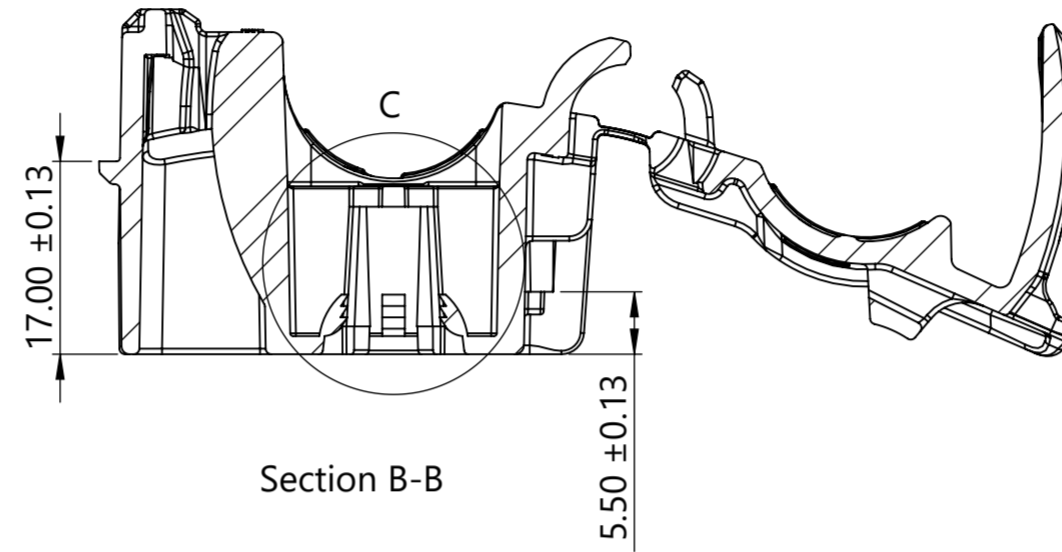
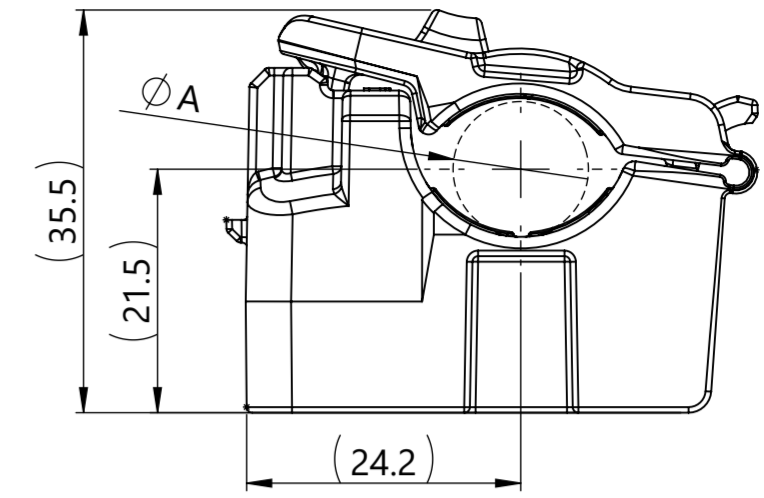


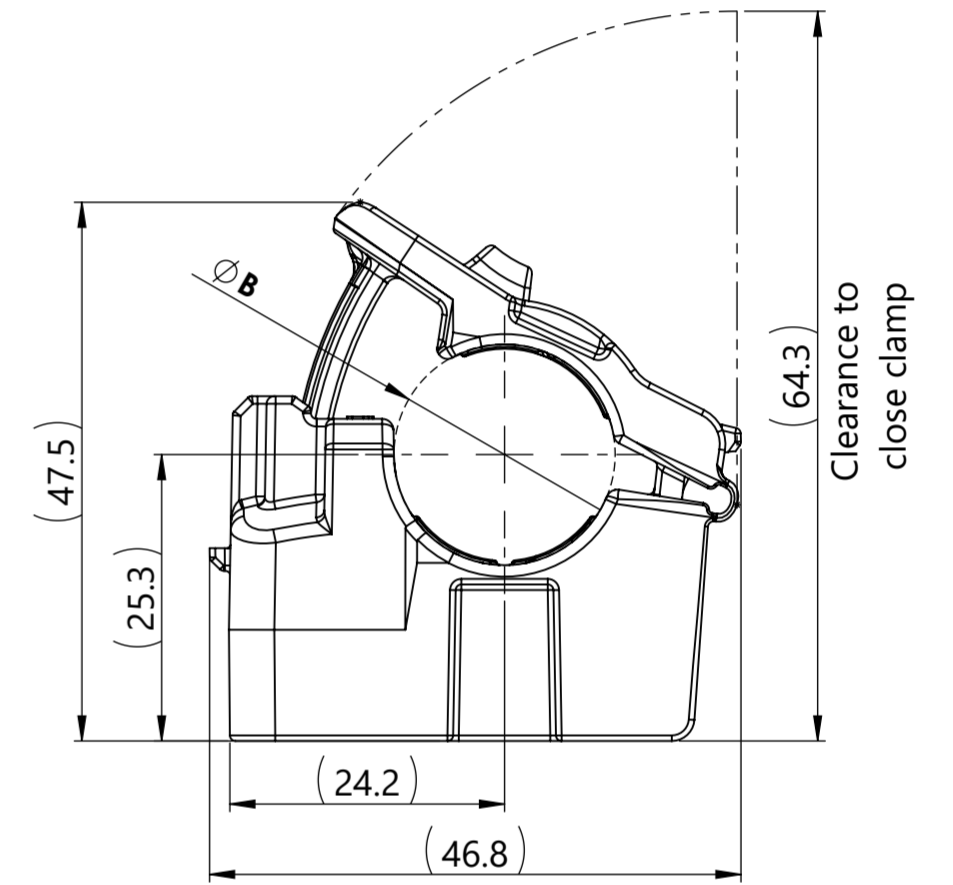
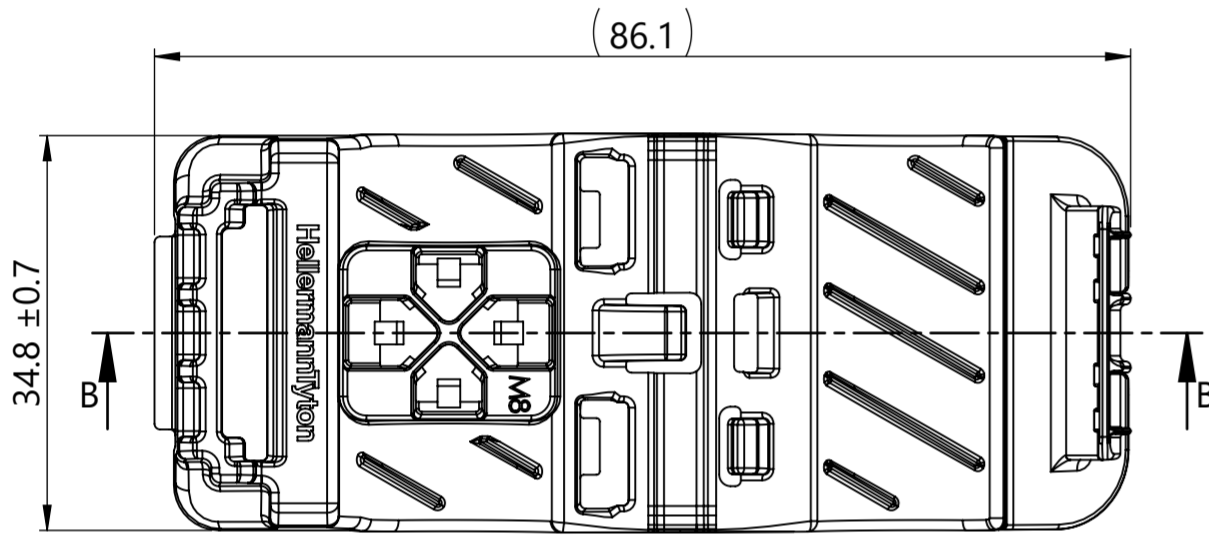
Isometric View  
Product shipped in clamp open position



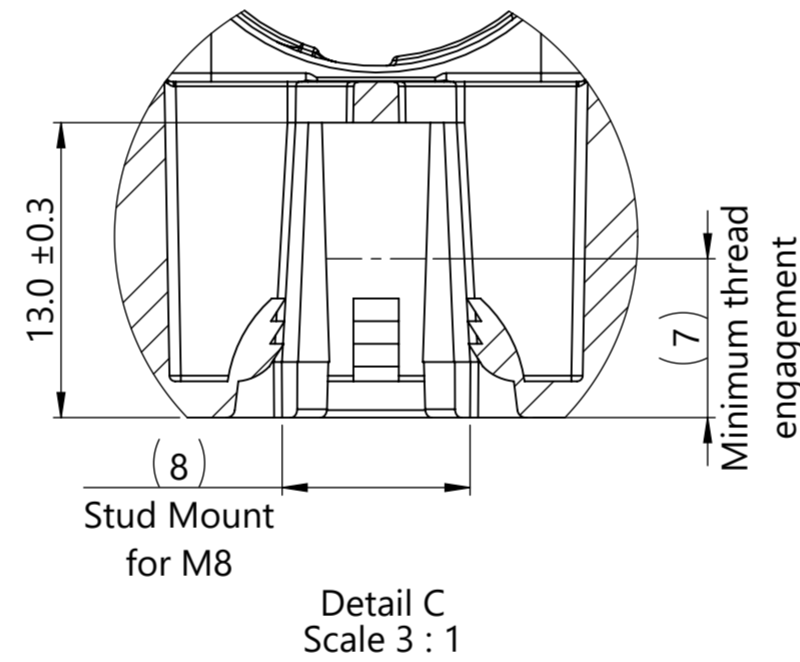
Section B-B



Minimum Bundle Diameter

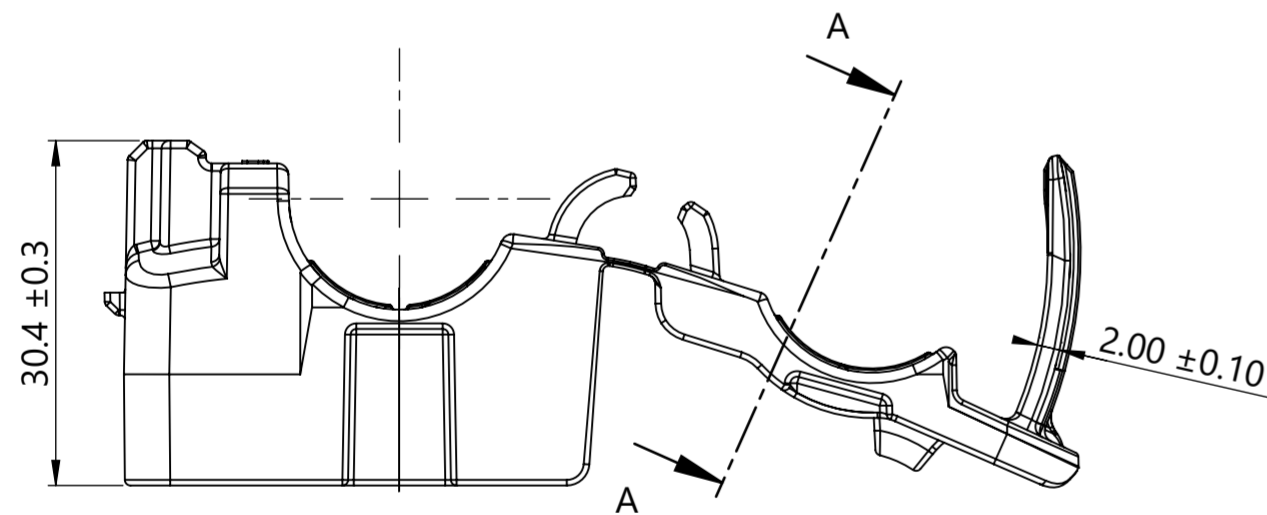


Maximum Bundle Diameter



Stud Mount  
for M8

Detail C  
Scale 3 : 1

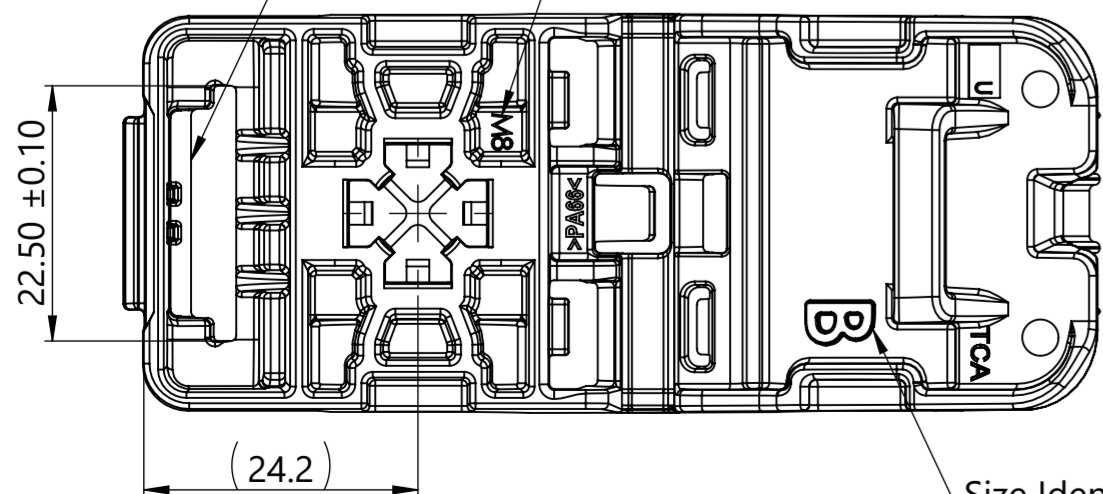


0.10 Maximum flash  
or mismatch allowed  
inside head

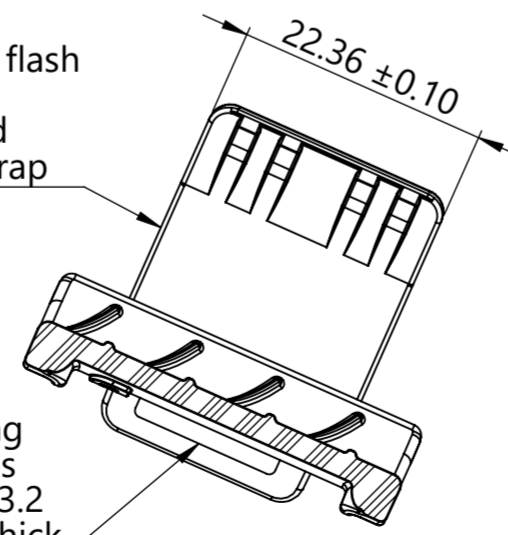
Mount size identifier

0.10 Maximum flash  
or mismatch  
allowed  
around  
perimeter of strap

Saddle opening  
accommodates  
Straps up to 13.2  
wide and 2.1 thick



Size Identifier



Section A-A

Notes:

1. Material: See chart
2. Material color: See chart
3. Maximum percent regrind permissible: 25%
4. Maximum allowable flash to be: 0.50 "Unless otherwise noted"
5. Maximum allowable mismatch to be: 0.15 "Unless otherwise noted"

Performance requirements:

Dry as molded with ≤ 0.5% moisture content:

1. ITS-0001 Ratchet Clamp Split Mandrel Test:  
445 newtons [100 lbf] minimum at a nominal  
bundle diameter of 15.88 [0.625in]
2. ITS-0006 Push On and Pull Off Stud Mount  
Push on force: 45 newtons [10 lbf] maximum  
Pull off force: 222 newtons [50 lbf] minimum

Bundle Types	A Minimum Diameter	B Maximum Diameter
Soft	12.7 ± 0.3	19.5 ± 0.3
Hard	11.9 ± 0.3	18.7 ± 0.3

Global Part Number	Global Part Description	Mounting Stud Size	Type Number	Material	Color
21-0243	CMRCBSMM8-PA66HIRHSUV-BK	M8	CMRCBSMM8	PA66HIRHSUV	Black

Revision level			Revision Record		
Drawing	State	Part	ECN 016827		
00.0	Design Release	-			
Changed	Date (YYYY/MM/DD)				
Spangler	2022/01/18				
Approved	Date (YYYY/MM/DD)				
Toll	2022/01/18				

The copyright of this drawing is reserved by HellermannTyton.

Drawn  
Spangler  
Date (YYYY/MM/DD)  
2021/04/09  
Approved  
Date (YYYY/MM/DD)  
Toll  
2021/04/09

Units  
mm  
**HellermannTyton**  
www.HellermannTyton.com

CMRCBSMM8  
Title  
Center Mount RCB Ratchet P-Clamp, Size B,  
Clamp Range 12.7 to 19.5, M8 Stud Mount  
Scale  
3:2  
Global Project Number  
21-0243  
Drawing-No  
21-0243-002-CSU  
Format  
A2  
Sheet  
1/1