

MATERIALS AND FINISHES

BODY, CAP: BRASS
PLATED SEE TABLE

CENTER CONTACT: BRASS
PLATED GOLD

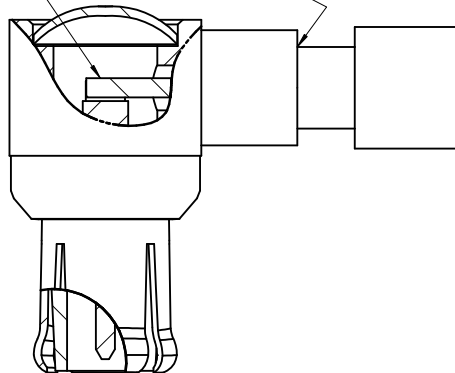
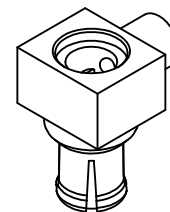
INSULATOR, SPACER: TEFLON

OUTER CONTACT: BERYLLIUM COPPER
PLATED GOLD

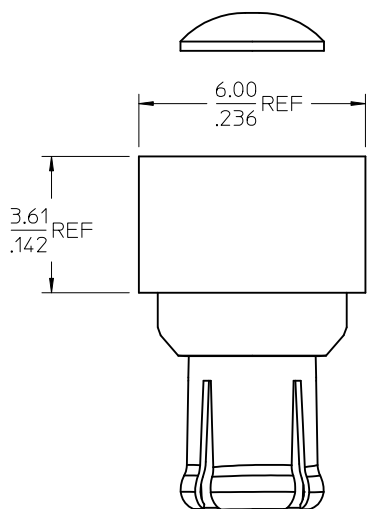
SOLDER

$\frac{2.79}{.110}$ REF

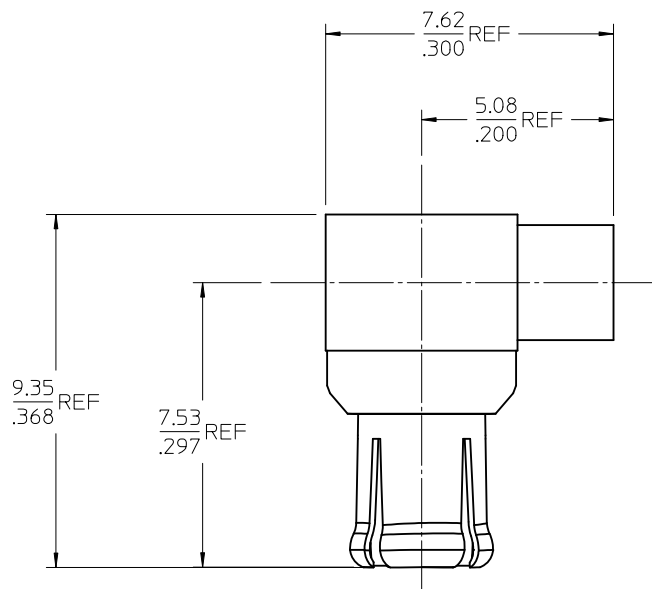
.086 OR EQUIVALENT CABLE
BELDEN 1671J (SHOWN)



$\frac{7.11}{.280}$ REF



CAP



PS-89675-1740	PRODUCT SPECIFICATION
CECC-22-220	INTERFACE
SPECIFICATION	DESCRIPTION

73415-2383	GOLD	GOLD	-
73415-2382	NICKEL	NICKEL	73366-6032
73415-2381	GOLD	GOLD	73366-6030
73415-2380	TIN	NICKEL	73366-6031
PART NO.	BODY	CAP	SAME AS
	FINISH	FINISH	

ADDED P/N: 73415-2383 PER PDR110908	EC NO: URF2012-0568	DRWNLIN 2011/10/07	CHKD:	APPR:MHUANG	2012/04/11
B1					

QUALITY SYMBOLS	GENERAL TOLERANCES (UNLESS SPECIFIED)	DIMENSION STYLE	SCALE	DESIGN UNITS	THIRD ANGLE PROJECTION
▽=0	mm INCH	MM/IN	METRIC		
▽=0	4 PLACES ± --- ± ---	DRAWN BY DATE	TITLE		
	3 PLACES ± --- ± ---	SSS 2000/07/26	MCX PLUG, R/A		
	2 PLACES ± --- ± ---	CHECKED BY DATE	50 OHMS FOR 086 CABLE		
	1 PLACE ± --- ± ---	TEF 2000/07/27	MCX-PC		
	ANGULAR ± 2 °	APPROVED BY DATE			
		GMH 2000/07/27			
		MATERIAL NO.	DOCUMENT NO.		
		SEE TABLE	SD-73415-238		
		SIZE			
		C			

DRAFT WHERE APPLICABLE
MUST REMAIN
WITHIN DIMENSIONS

MOLEX INCORPORATED		SHEET NO.
		1 OF 1
THIS DRAWING CONTAINS INFORMATION THAT IS PROPRIETARY TO MOLEX INCORPORATED AND SHOULD NOT BE USED WITHOUT WRITTEN PERMISSION		

MATERIALS AND FINISHES

BODY, CAP: BRASS
PLATED SEE TABLE

CENTER CONTACT: BRASS
PLATED GOLD

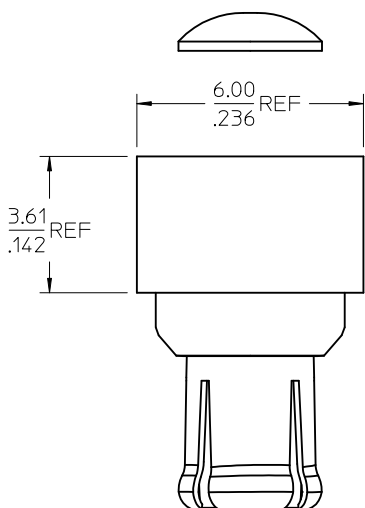
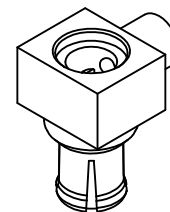
INSULATOR, SPACER: TEFLON

OUTER CONTACT: BERYLLIUM COPPER
PLATED GOLD

SOLDER

$\frac{2.79}{.110}$ REF

.086 OR EQUIVALENT CABLE
BELDEN 1671J (SHOWN)



CAP

$\frac{7.11}{.280}$ REF

$\frac{7.62}{.300}$ REF

$\frac{5.08}{.200}$ REF

$\frac{9.35}{.368}$ REF

$\frac{7.53}{.297}$ REF

73415-2383	GOLD	GOLD	-
73415-2382	NICKEL	NICKEL	73366-6032
73415-2381	GOLD	GOLD	73366-6030
73415-2380	TIN	NICKEL	73366-6031
PART NO.	BODY	CAP	SAME AS
	FINISH	FINISH	

PS-89675-1740	PRODUCT SPECIFICATION
CECC-22-220	INTERFACE
SPECIFICATION	DESCRIPTION

REV	DESCRIPTION
B1	ADDED P/N: 73415-2383 PER PDR110908 EC NO: URF2012-0568 DRW:INLIN 2011/10/07 CHKD: APPR:MHUANG 2012/04/11

QUALITY SYMBOLS	GENERAL TOLERANCES (UNLESS SPECIFIED)
$\nabla=0$	mm INCH
$\nabla=0$	4 PLACES ± .005 ± .005
	3 PLACES ± .005 ± .005
	2 PLACES ± .005 ± .005
	1 PLACE ± .005 ± .005
	ANGULAR ± 2°

DIMENSION STYLE	SCALE
MM/IN	METRIC
DRAWN BY	DATE
SSS	2000/07/26
CHECKED BY	DATE
TEF	2000/07/27
APPROVED BY	DATE
GMH	2000/07/27
MATERIAL NO.	DOCUMENT NO.
SEE TABLE	SD-73415-238

THIRD ANGLE PROJECTION	
MCX PLUG, R/A 50 OHMS FOR 086 CABLE MCX-PC	
MOLEX INCORPORATED	
SHEET NO.	1 OF 1
THIS DRAWING CONTAINS INFORMATION THAT IS PROPRIETARY TO MOLEX INCORPORATED AND SHOULD NOT BE USED WITHOUT WRITTEN PERMISSION	