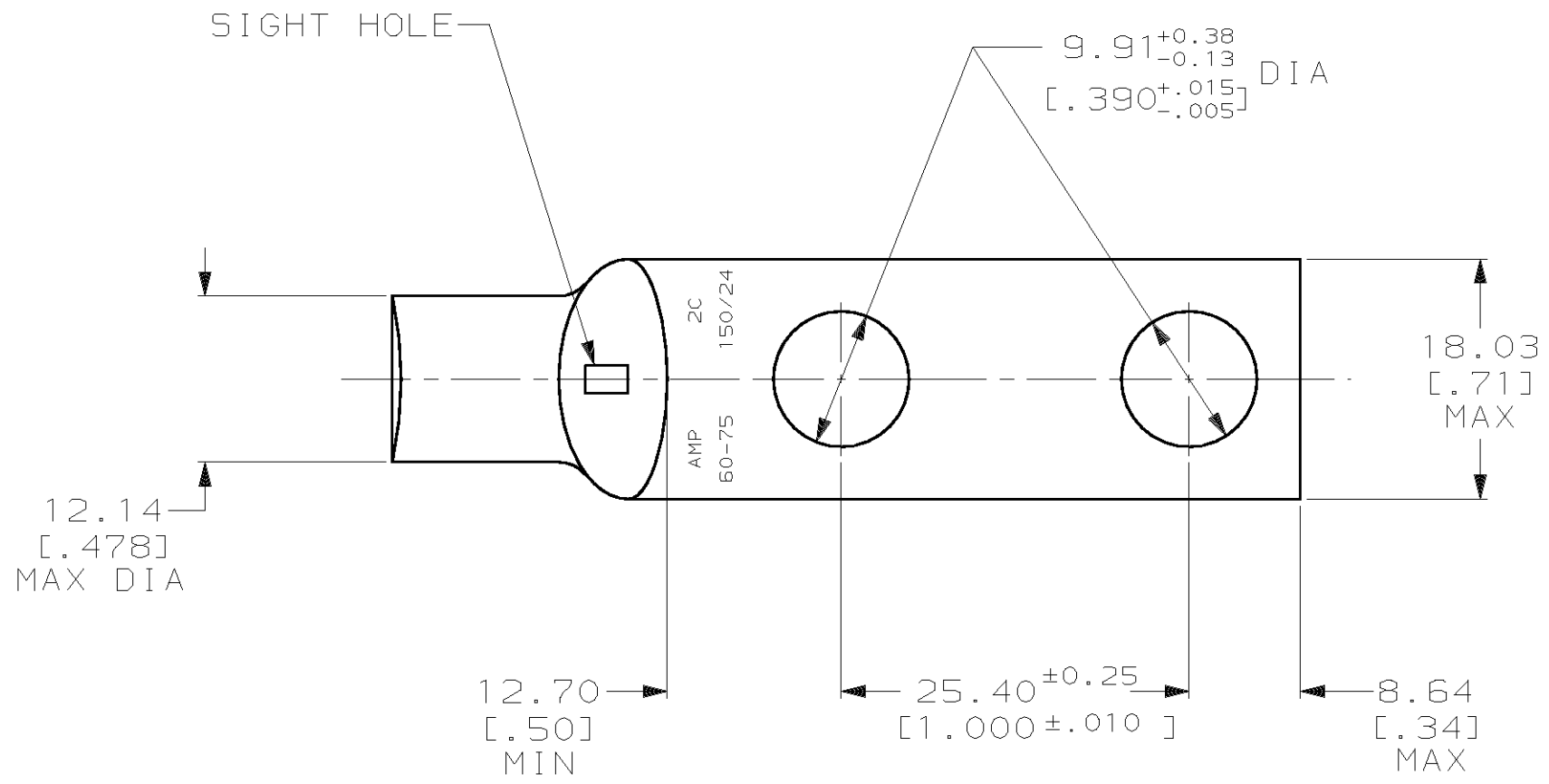
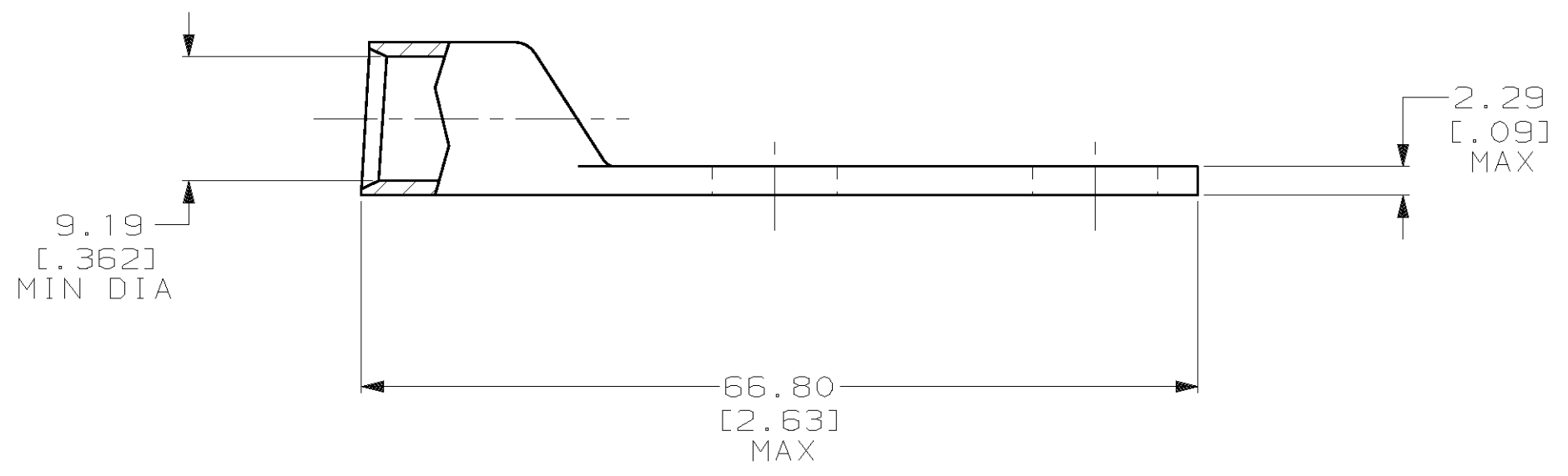


THIS DRAWING IS UNPUBLISHED. RELEASED FOR PUBLICATION, 19 .
 © COPYRIGHT 19 BY AMP INCORPORATED. ALL INTERNATIONAL RIGHTS RESERVED.

LOC		DIST		REVISIONS				DATE	APPD
ZONE	LTR	DESCRIPTION	DATE	APPD					
G	86	P	F	V	REV PER 0G3A-0561-01	090CT02	JR/MS		



1 CIRCULAR MIL AREA RANGE: 52,600-83,700 CM
 2 TIN PL 0.00381 [.000150] MIN THK PER MIL-T-10727



326799

326799

PART NO

DO NOT SCALE PRINT.
 UNLESS SPECIFIED
 DIMENSIONS IN mm [INCHES]
 TOLERANCES ON :
 2 PLC DEC ± 0.51 [.020]
 3 PLC DEC ± -
 ANGLES ± -

MATERIAL
 ANNEALED COPPER
 ASTM B-75

FINISH
 △

DR 02/28/90
 DK SCHRUM

CHK 18JAN95
 MS FEHER

APPD 18JAN95
 WJ VOCKROTH

APPD 18JAN95
 TL SHUTTER

PRODUCT SPEC
 108-30200

APPLICATION SPEC
 -

WEIGHT .038 LB

AMP AMP INCORPORATED Harrisburg, Pa. 17105		
NAME TERMINAL, AMPPOWER™ WIRE SIZE: 2 AWG		
SIZE C	CAGE CODE 00779	DRAWING NO 326799
SCALE 2:1	SHEET 1 OF 1	

METRIC