

**NOTES:**

1. ALL DIMENSIONS ARE REFERENCE.

2. MATERIALS:

**B** HOUSING: ABS OR PBT, UL-94HB, BLACK

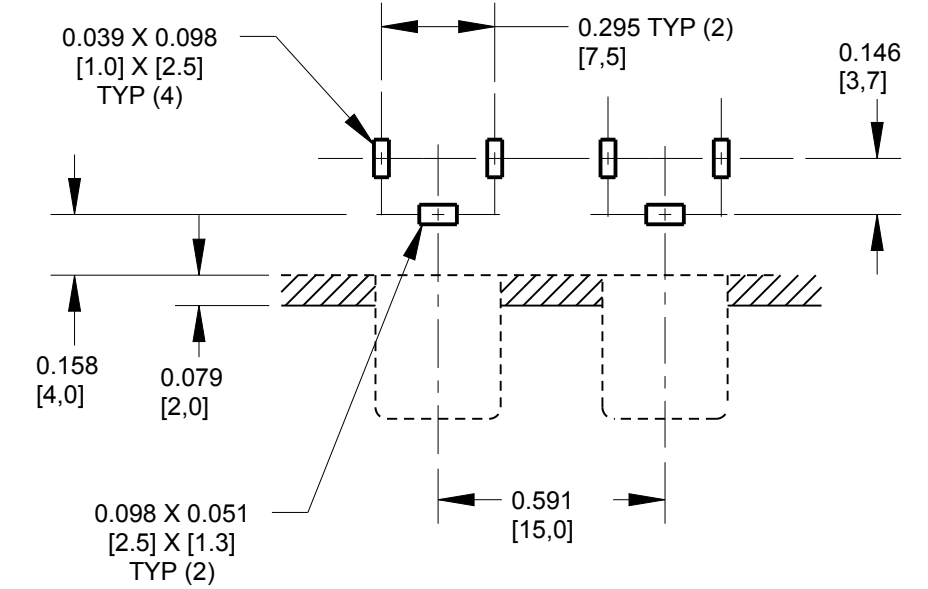
**B** COLOR INSERT: POM OR PBT, UL94-HB

SHELL & SLEEVE TERMINAL: COPPER ALLOY, NICKEL OR GOLD PLATED

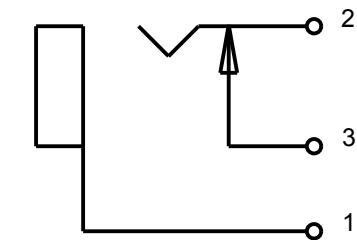
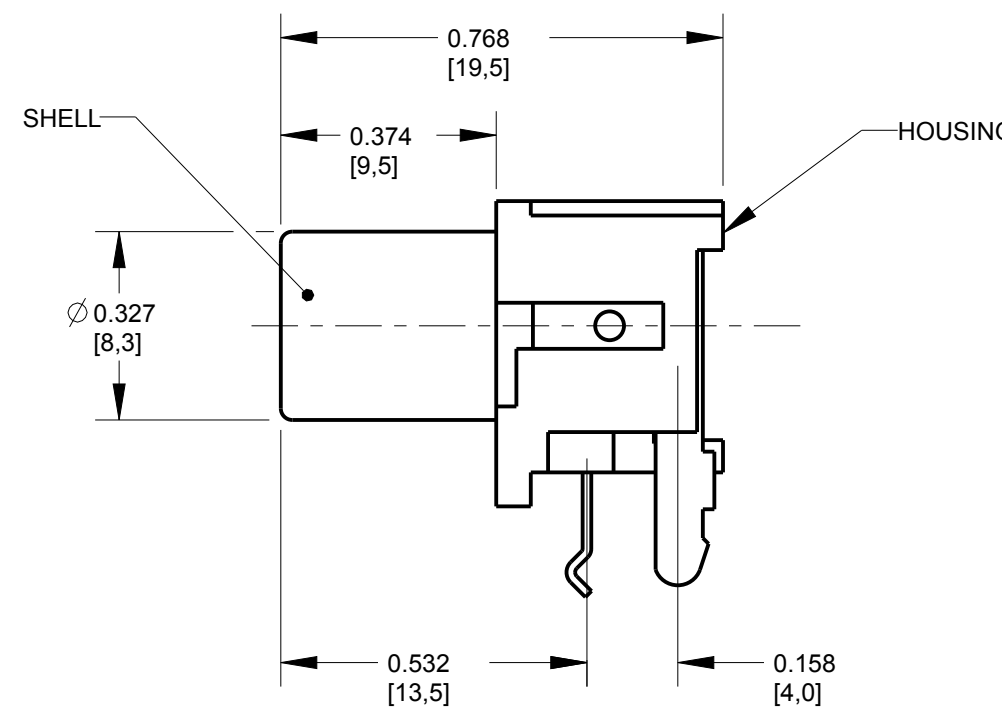
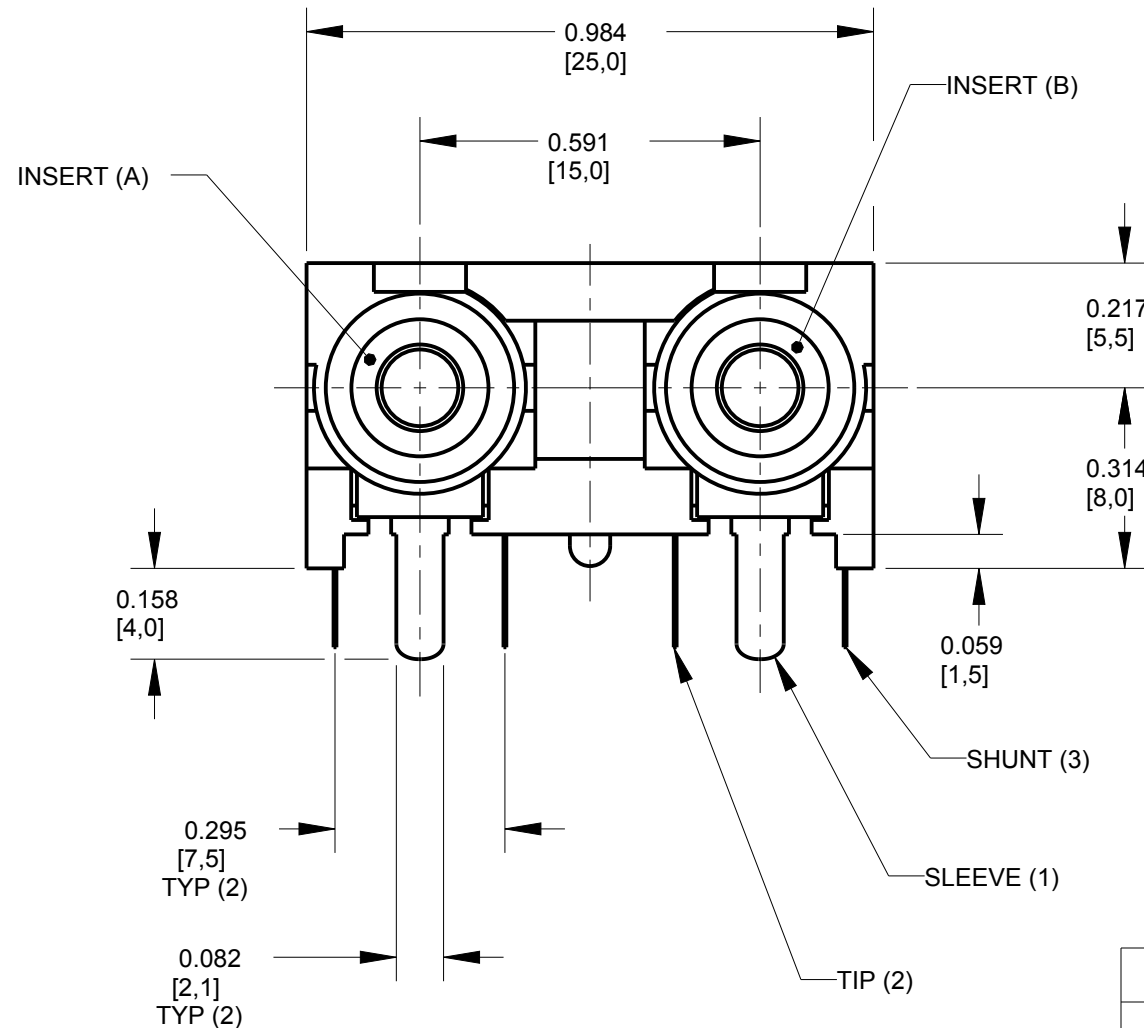
TIP & SHUNT TERMINALS: COPPER ALLOY, TIN PLATED

3. THIS PART IS RoHS COMPLIANT

PART NUMBER	INSERT (A) COLOR	INSERT (B) COLOR	SHELL AND SLEEVE TERMINAL FINISH
PJРАН2X1U01X	RED	WHITE	NICKEL PLATED
PJРАН2X1U01AUX	RED	WHITE	GOLD PLATED
PJРАН2X1U02X	WHITE	RED	NICKEL PLATED
PJРАН2X1U02AUX	WHITE	RED	GOLD PLATED



**P.C. BOARD LAYOUT**  
COMPONENT SIDE



**SCHEMATIC**  
TYP (2) JACKS

**CUSTOMER DRAWING**

REV	ECO NUMBER	DATE	BY	APVD
B	27929	08-17-17	PC	TJK
A	25181	1-13-06	JL	TJK

**REVISIONS**

★ STAR SYMBOL DENOTES CRITICAL DIMENSION

**UNLESS OTHERWISE SPECIFIED**

1. ALL DIMENSIONS IN INCHES  
 -TWO PLACE DECIMALS ±0.01  
 -THREE PLACE DECIMALS ±0.005  
 -ANGLES ±1°  
 -ALL DIA. CONCENTRIC WITHIN 0.005 T.I.R.

2. FEATURES ON THE SAME CENTERLINE MUST BE ALIGNED WITHIN ±0.002

3. REMOVE ALL BURRS

**DO NOT SCALE DRAWING**

THIS DRAWING DESCRIBES A DESIGN CONSIDERED PROPRIETARY IN NATURE, DEVELOPED AND MANUFACTURED BY SWITCHCRAFT INC. AND IS RELEASED ON A CONFIDENTIAL BASIS FOR IDENTIFICATION PURPOSES ONLY.				
SIZE	WIDTH	MULT	LBS/M	TEMPER
FINISH		MATERIAL		
SPEC No.		SPEC No.		
FIRST USED ON		SCALE		
		2:1		
DATE DRAWN	BY	CHKD	APVD	
13-Jan-06	JL	TJK	TJK	
		1-13-06	1-13-06	
NAME			PART No.	
PHONO JACK, RIGHT ANGLE			PJРАН2X1U__X SERIES	
2 POS, PC MOUNT, UNSHIELDED, RoHS			REV	
			B	

**Switchcraft**

SHEET 1 OF 1