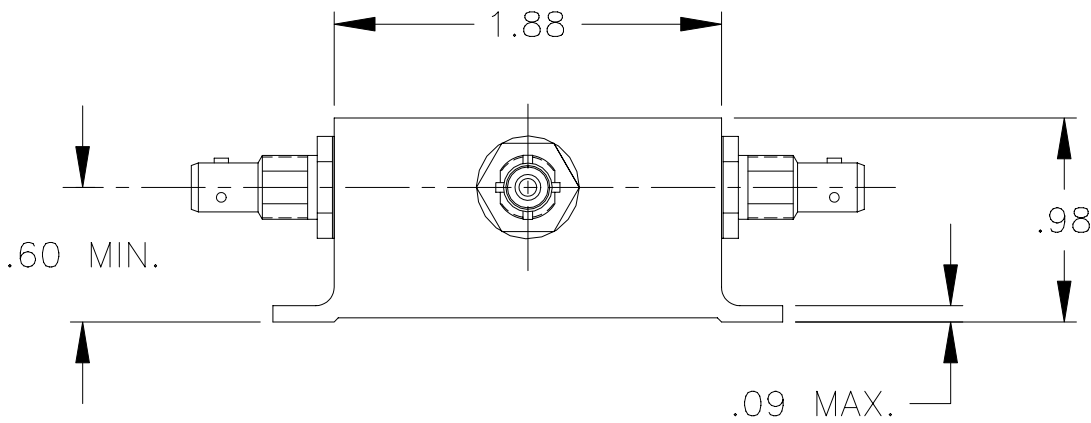
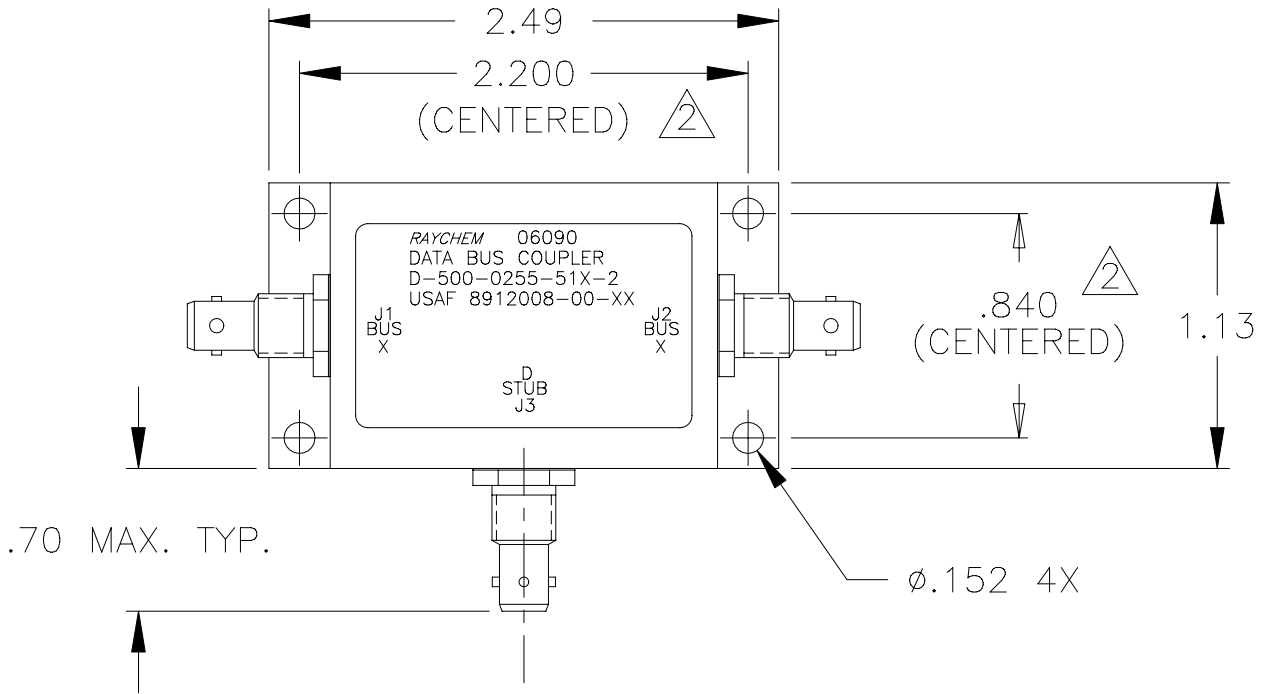


REVISIONS			
LTR	DESCRIPTION	DATE	APPROVED
D	REVISED PER ECN# T-20030	95APR20	Z. TEMAN
E	REVISED PER ECN# T-20324		

NOTES:

1. ORIENTATION OF CONNECTORS IS APPROXIMATELY AS SHOWN.

2. HOLE PATTERN MACHINED SYMMETRIC TO MOUNTING FLANGE.



If this document is printed it becomes uncontrolled.
Check for the latest revision.

SPECIFICATION CONTROL DRAWING

UNLESS OTHERWISE SPECIFIED DIMENSIONS ARE IN INCHES. METRIC DIMENSIONS ARE IN BRACKETS.

DECIMALS
 .XXX ± .010 [—mm]
 .XX ± .03 [—mm]

ANGLES
 .X — ± —

WEIGHT:
 [80g MAX]

DRAWN	J.B.K.	90 APR 2
CHECKED		
APPROVED		
APPROVED	Z.TEMAN	90 APR 3
CAD NAME	004930-1.DWG	
THIRD ANGLE PROJECTION		

		Tyco Electronics Corporation 300 Constitution Drive Menlo Park, CA. 94025 U.S.A.			
TITLE					
1 STUB DATA BUS COUPLER WITH TRIAXIAL CONNECTORS					
SIZE	CODE IDENT. NO.	DWG. NO.	REV		
A	06090	D-500-0255-51X-2	E		
DO NOT SCALE THIS DRAWING			SHEET 1 OF 2		

1.0 INTERMATEABILITY

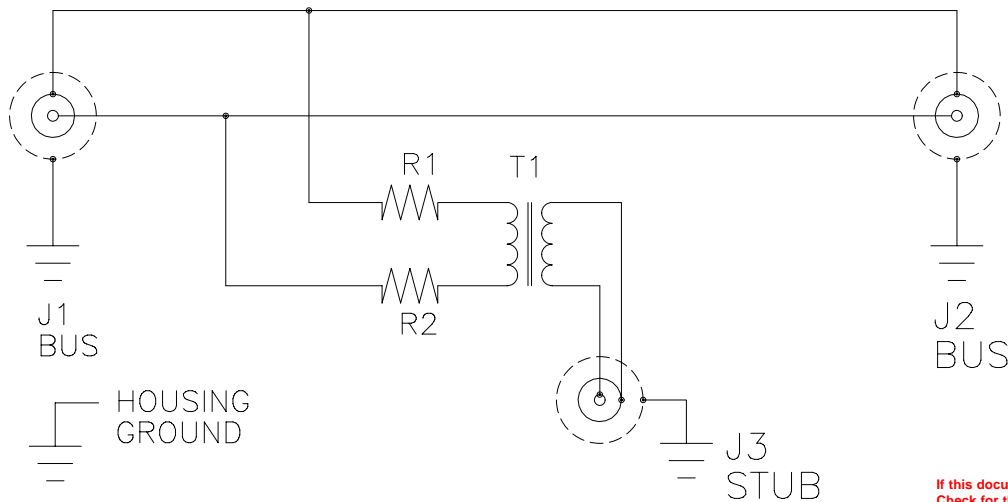
CONNECTOR BOX JACK	MATING PLUG	KEY
DK-621-0434-1S (8912004-00-05)	DK-621-0433-1P (8912003-00-01)	A
DK-621-0436-2S (8912004-00-06)	DK-621-0435-2P (8912003-00-02)	B
DK-621-0438-3S (8912004-00-07)	DK-621-0437-3P (8912003-00-03)	C
DK-621-0440-4P (8912004-00-04)	DK-621-0439-4S (8912003-00-08)	D

2.0 PERFORMANCE

- 2.1 THIS COUPLER IS DESIGNED TO MEET THE APPLICABLE FUNCTIONAL REQUIREMENT OF RAYCHEM SPECIFICATION D-6021 AND USAF 8912008.
- 2.2 THE COUPLER SHALL OPERATE UNDER ANY OF THE ENVIRONMENTAL SERVICE CONDITIONS AS SPECIFIED IN MIL-E-5400, CLASS ∇ UPGRADED TO 125°C CONTINUOUS OPERATION.
- 2.3 ALTITUDE: SEA LEVEL TO 75,000 FEET
- 3.0

CONNECTOR D-500-0255	BUS JACKS J1 AND J2	STUB JACKS J3
-513-2 (8912008-00-25)	DK-621-0434-1S "A" (8912004-00-05)	DK-621-0440-4P "D" (8912004-00-04)
-515-2 (8912008-00-26)	DK-621-0436-2S "B" (8912004-00-06)	DK-621-0440-4P "D" (8912004-00-04)
-517-2 (8912008-00-27)	DK-621-0438-3S "C" (8912004-00-07)	DK-621-0440-4P "D" (8912004-00-04)

SCHEMATIC DIAGRAM



If this document is printed it becomes uncontrolled.
Check for the latest revision.

CAD NAME: 004930-2	DRAWN	J.B.K.	90 APR 2	SIZE	CODE IDENT. NO.	DWG. NO.
	ISSUED			A	06090	D-500-0255-51X-2
				DO NOT SCALE THIS DRAWING		SHEET 2 OF 2