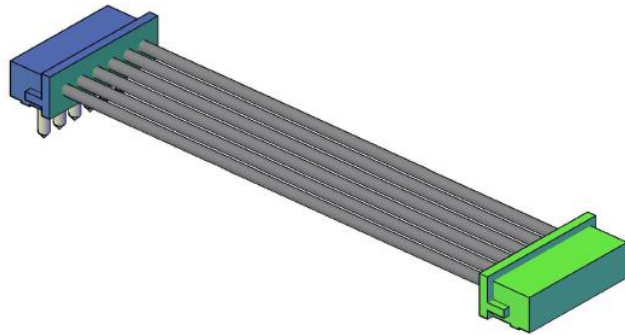
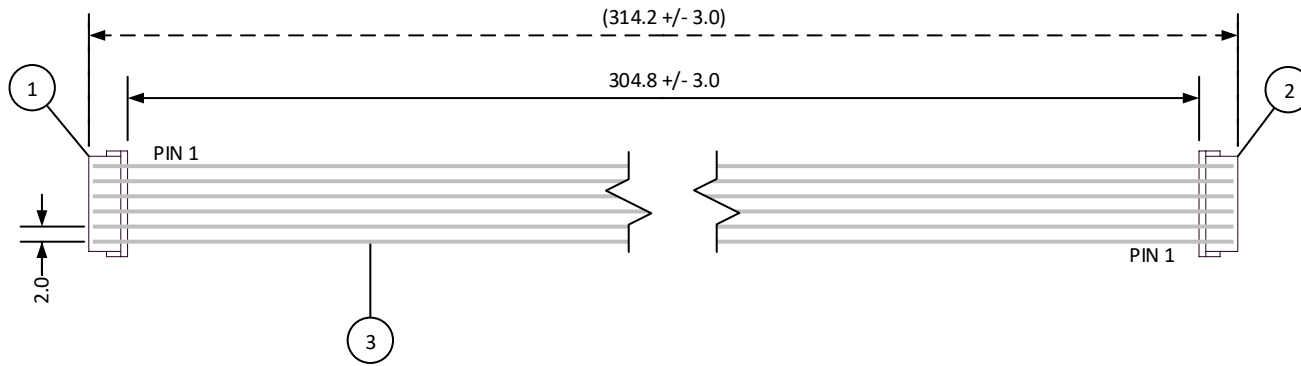


4		3		2		1		
ITEM	CONNECTOR PART NO.	DESCRIPTION	IPI CHECK	EOR CHECK	Applicable Tooling			
1	See Table 1	DS CONNECTOR			BCD			
2	See Table 1	KR CONNECTOR			TABLE 1			
3	UL1061, 28 AWG	WHITE			ITEM	NUMBER OF CIRCUITS	CONNECTOR PART NO.	ASSEMBLY PART NUMBER

ITEM	NUMBER OF CIRCUITS	CONNECTOR PART NO.	ASSEMBLY PART NUMBER	TOTAL WIRE REQUIRED
1		02DS-8E	A02KR02DS28W305B	609.6
2	2	02KR-8M-P	A02KR02DS28W305B	609.6
1		03DS-8E	A03KR03DS28W305B	914.4
2	3	03KR-8M-P	A03KR03DS28W305B	914.4
1		04DS-8E	A04KR04DS28W305B	1219.2
2	4	04KR-8M-P	A04KR04DS28W305B	1219.2
1		05DS-8E	A05KR05DS28W305B	1524
2	5	05KR-8M-P	A05KR05DS28W305B	1524
1		06DS-8E	A06KR06DS28W305B	1828.8
2	6	06KR-8M-P	A06KR06DS28W305B	1828.8
1		07DS-8E	A07KR07DS28W305B	2133.6
2	7	07KR-8M-P	A07KR07DS28W305B	2133.6
1		08DS-8E	A08KR08DS28W305B	2438.4
2	8	08KR-8M-P	A08KR08DS28W305B	2438.4
1		09DS-8E	A09KR09DS28W305B	2743.2
2	9	09KR-8M-P	A09KR09DS28W305B	2743.2
1		10DS-8E	A10KR10DS28W305B	3048
2	10	10KR-8M-P	A10KR10DS28W305B	3048
1		11DS-8E	A11KR11DS28W305B	3352.8
2	11	11KR-8M-P	A11KR11DS28W305B	3352.8
1		12DS-8E	A12KR12DS28W305B	3657.6
2	12	12KR-8M-P	A12KR12DS28W305B	3657.6
1		13DS-8E	A13KR13DS28W305B	3962.4
2	13	13KR-8M-P	A13KR13DS28W305B	3962.4
1		14DS-8E	A14KR14DS28W305B	4267.2
2	14	14KR-8M-P	A14KR14DS28W305B	4267.2
1		15DS-8E	A15KR15DS28W305B	4572
2	15	15KR-8M-P	A15KR15DS28W305B	4572



SCALE 1:1		CUSTOMER NAME		CUSTOMER PART NO.	
DIMENSIONS All dimensions are in MM with a tolerance of +/- 3.0 unless otherwise specified.		DESCRIPTION 2.0 mm Pitch DS to KR Standard Catalog Assembly - 12" Overall Length - Pin out: 1 to N			
		DRAWN BY STEVEN PILKINGTON			
CHECKED BY JUSTIN BAKER		ASSEMBLY PART NO. SEE TABLE 1			
REV.		DESCRIPTION		DATE	
		DRAWING NO. & REVISION GAM-033		REVISED 3/4/2016	

