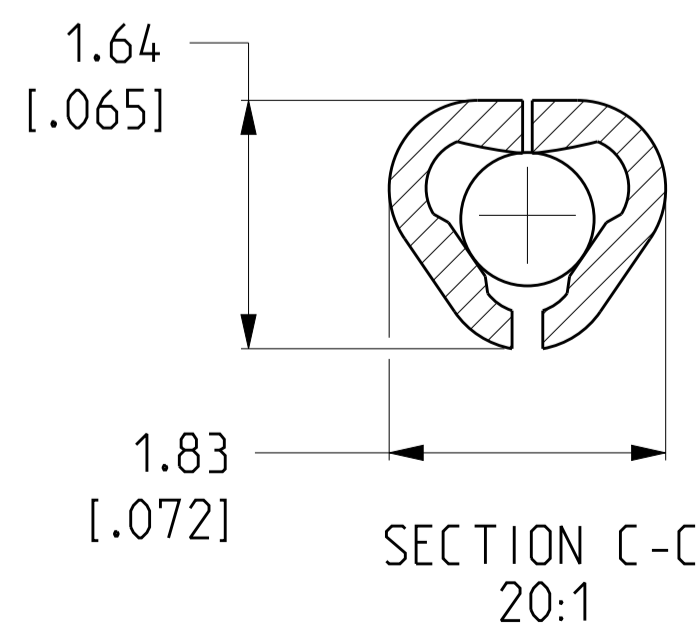
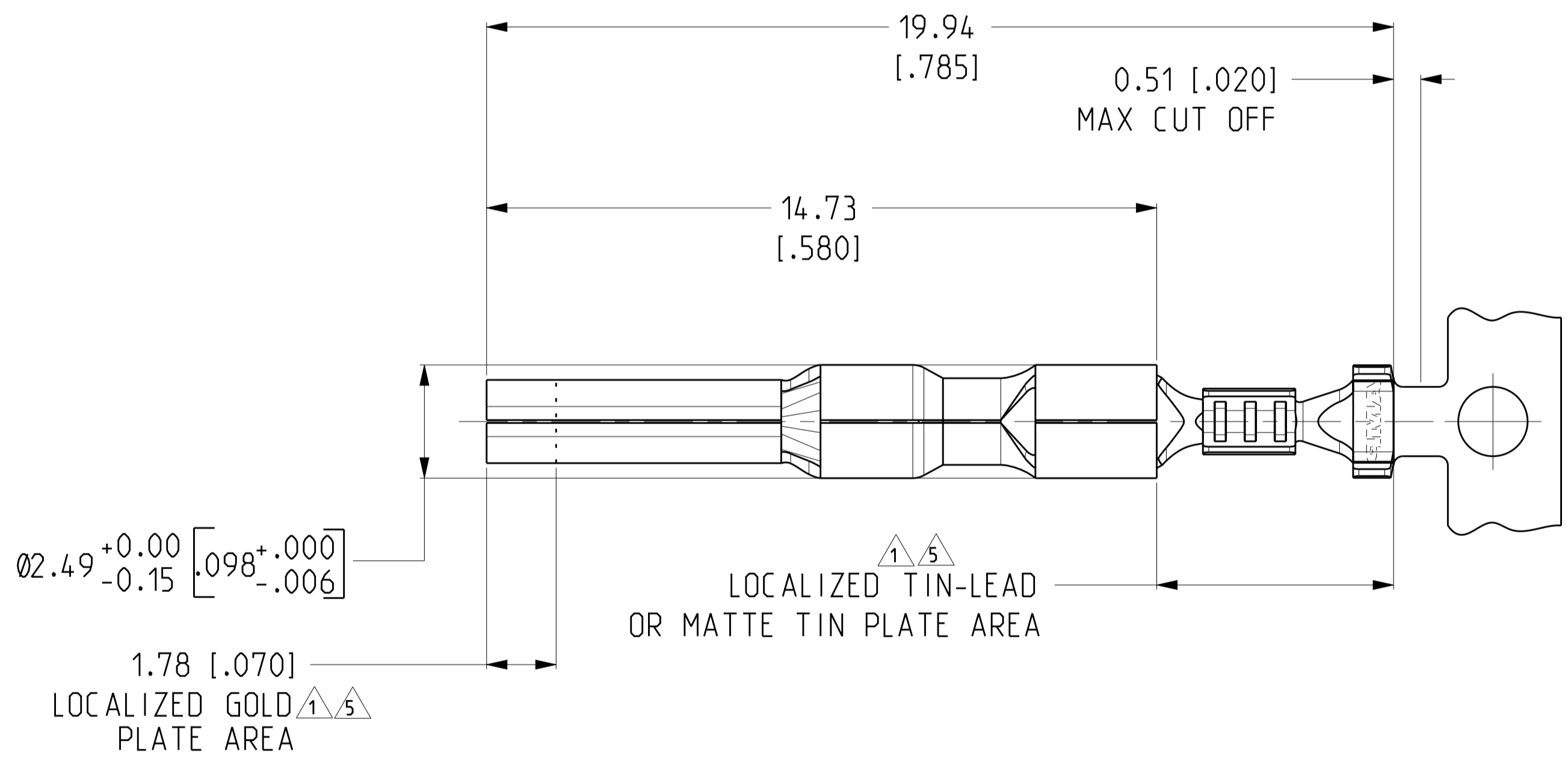
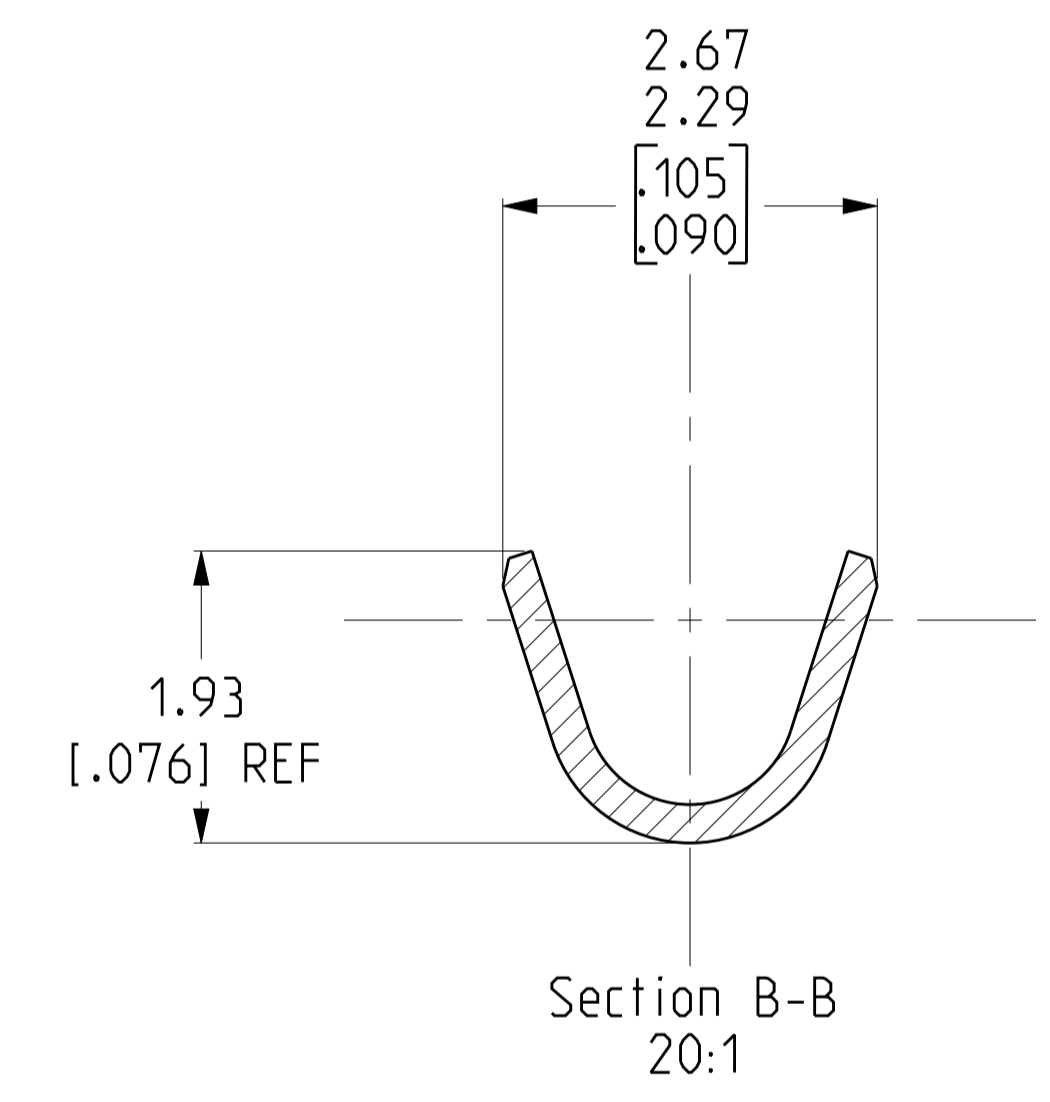
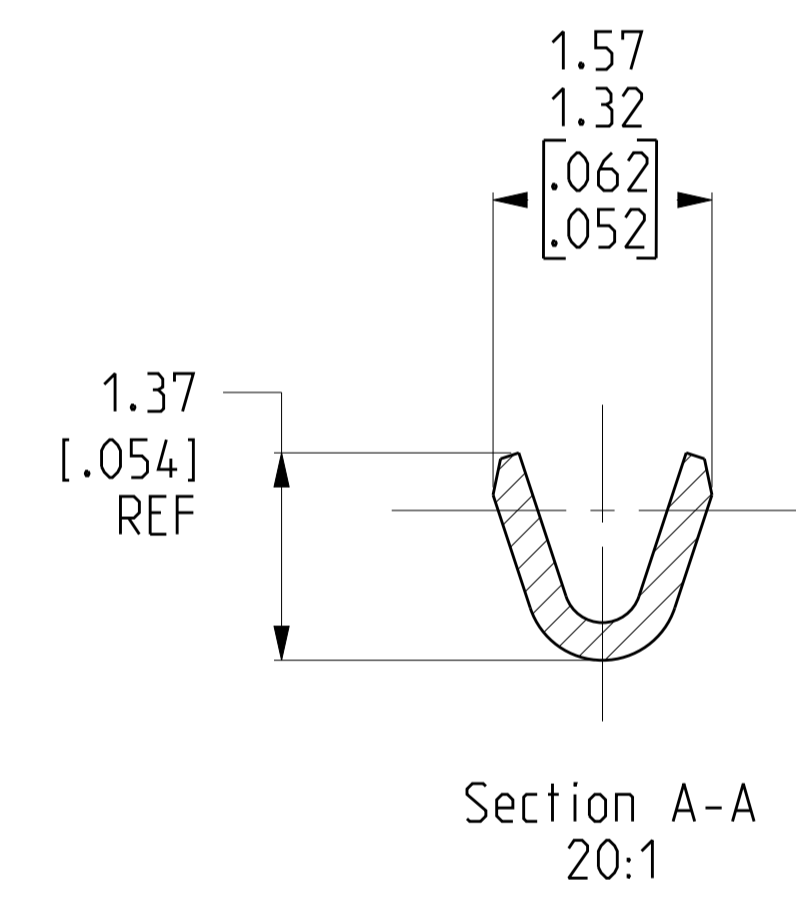
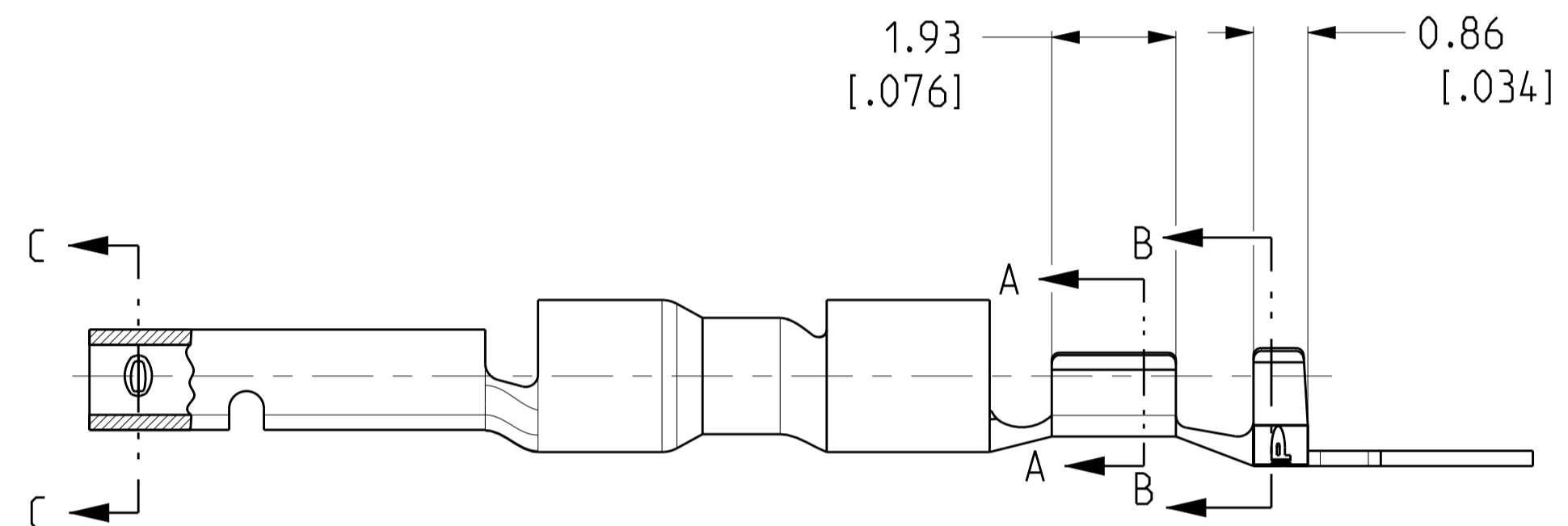


REVISIONS				
P	LTR	DESCRIPTION	DATE	DWN APVD
H		REDRAWN PER ECR-17-012999	14NOV2018	BDA SG
H1		REVISED PER ECR-20-100491	07OCT2020	PC SW

- 1 0.00076 [.000030] MIN GOLD IN LOCALIZED GOLD PLATE AREA AND 0.00254 [.000100] MIN BRIGHT TIN-LEAD IN LOCALIZED TIN-LEAD PLATE AREA OVER 0.0013 [.000050] MIN NICKEL.
- 2 WIRE RANGE: 0.05-0.15MM (30-26 AWG).
- 3 INSULATION RANGE: 0.89-1.27[.035-.050] DIA.
- 4 DIMENSIONS IN BRACKETS ARE IN INCHES.
- 5 0.00076 [.000030] MIN GOLD IN LOCALIZED GOLD PLATE AREA AND 0.00254 [.000100] MIN MATTE TIN IN LOCALIZED TIN PLATE AREA OVER 0.0013 [.000050] MIN NICKEL.



FINISH	MATERIAL	PART NUMBER
5	0.25[.010] BRASS	1-794217-0
1	0.25[.010] BRASS	794217-3
PRE TIN	0.25[.010] BRASS	794217-1

THIS DRAWING IS A CONTROLLED DOCUMENT.		DWN R. VESTAL 1-15-97	TE Connectivity
DIMENSIONS: mm[INCHES]		CHK R. SWING 1-15-97	
TOLERANCES UNLESS OTHERWISE SPECIFIED:		APVD P. SWING	NAME SOCKET, MINI UNIVERSAL MATE-N-LOK™2
0 PLC ±	1 PLC ±	PRODUCT SPEC	SIZE
2 PLC ±	3 PLC ±	APPLICATION SPEC	CAGE CODE
4 PLC ±	ANGLES ±	FINISH	DRAWING NO
MATERIAL SEE TABLE	SEE TABLE	WEIGHT	RESTRICTED TO
CUSTOMER DRAWING		SCALE 5:1	SHEET 1 OF 1