

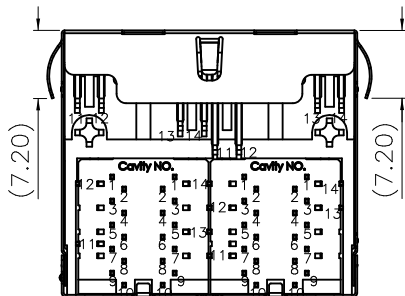
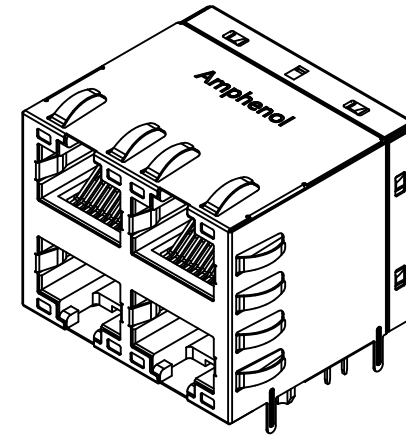
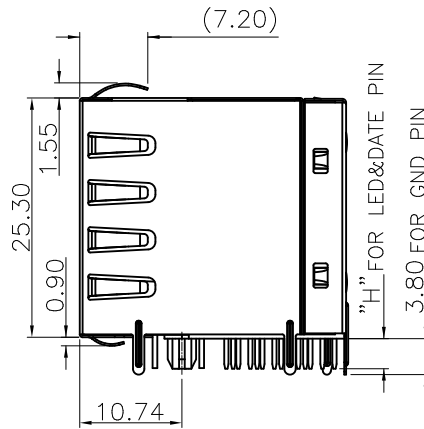
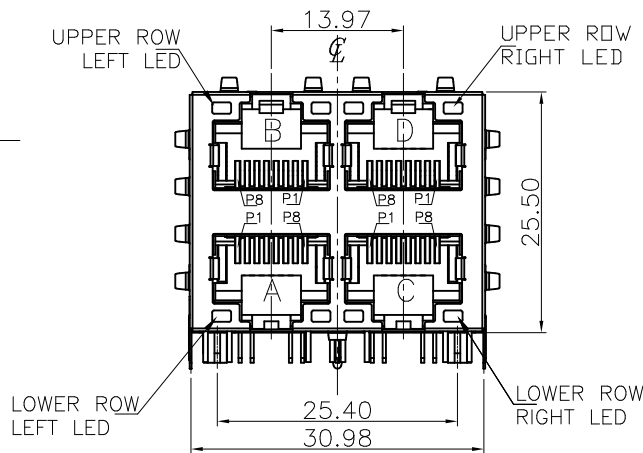
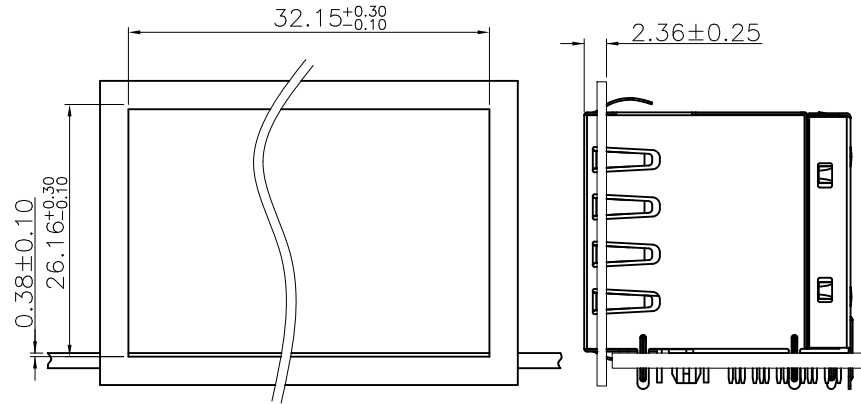
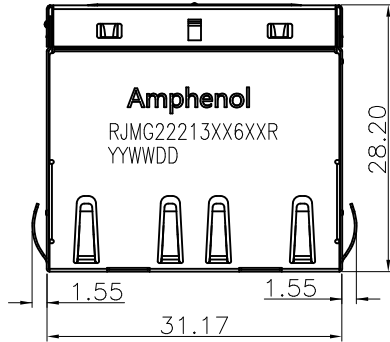


This document is the property of Amphenol Corporation and is delivered on the express condition that it is not to be disclosed, reproduced or used, in whole or in part, for manufacture or sale by anyone other than Amphenol Corporation without its prior consent, and that no right is granted to use or disclose any information in this document.

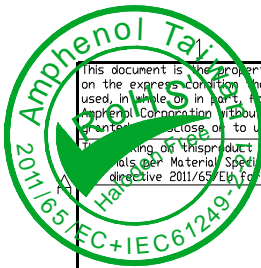
This drawing and product doesn't contain environmental hazardous materials per Material Specification SS-00259 for Sony GP compliant or directive 2011/65/EU for RoHS compliant.

CUSTOMER DRAWING

REVISIONS				
SYM	ECN No.	DESCRIPTION	DATE	APPROVED
AX1		NEW PROPOSAL DRAWING	08/06/2014	Roger Tsai



TOLERANCE	APPROVALS	DATE	TITLE		PART No.	
X. ±0.35	DRAWN Jophy Li	08/06/2014	RJMG222X SERIES 2X2 1000 Base-T SERIES with LED		Amphenol [®] Amphenol Corporation Amphenol Taiwan Corporation	
X.X ±0.25	CHECKED Vivian Wen	08/06/2014				
X.XXX ±0.15	APPROVED Roger Tsai	08/06/2014				
ANGULAR ±1°	DWG TYPE CUST DWG	PROJECT CODE GT501	UNIT mm	SIZE A3	PART No. RJMG22213XX6XXR	
UNLESS OTHERWISE SPECIFIED			SCALE NA	SHEET 1 OF 4	DWG No. RJMG22213XX6XXR	REV. AX1



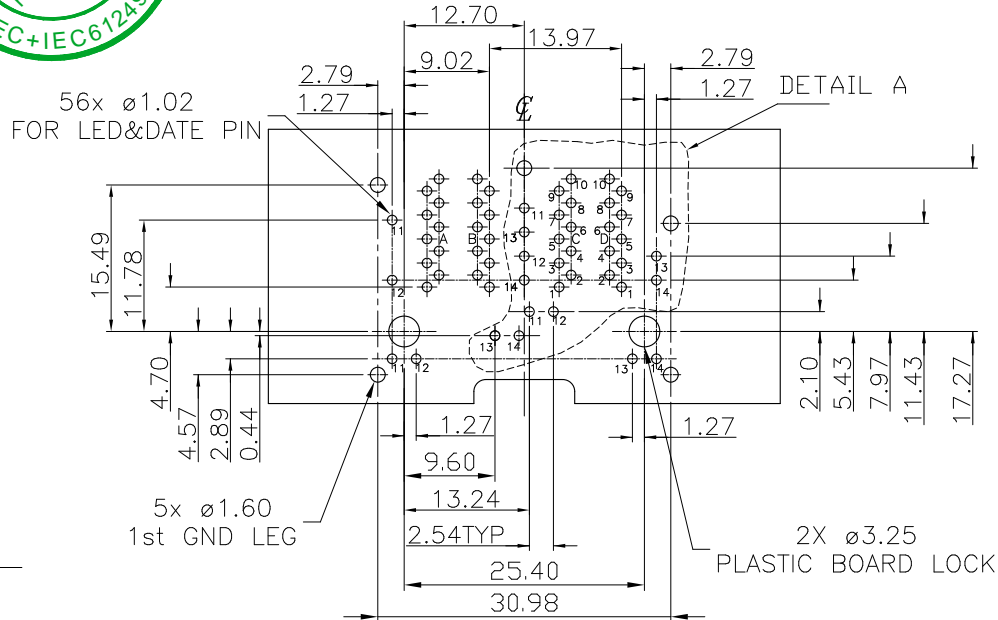
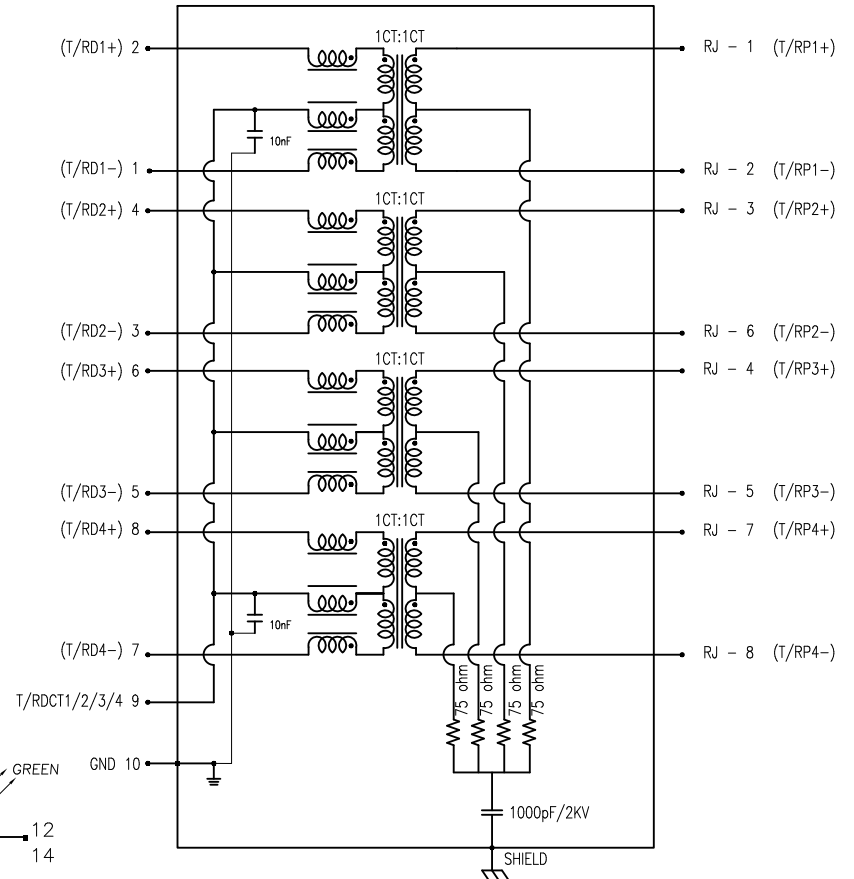
This document is the property of Amphenol Corporation and is delivered on the express condition that it is not to be disclosed, reproduced or used in whole or in part for manufacture or sale by anyone other than Amphenol Corporation without its prior consent, and that no right is granted to disclose or to use any information in this document.

This product doesn't contain environmental hazardous materials per Material Specification SS-00259 for Sony GP compliant or directive 2011/65/EU for RoHS compliant.

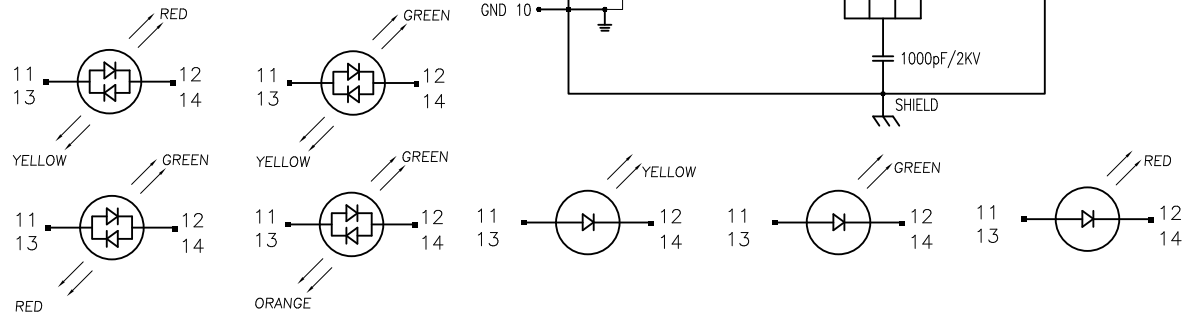
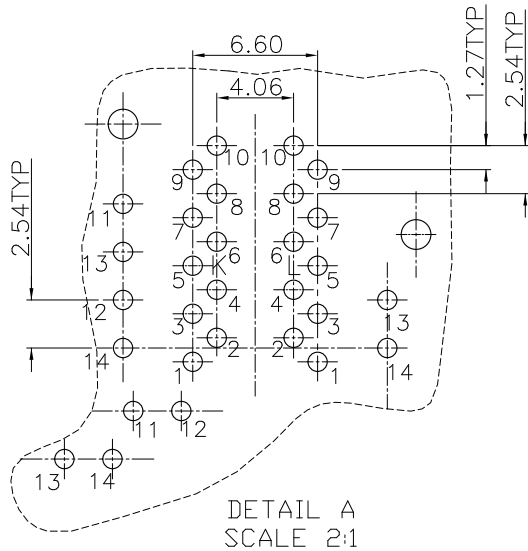
CUSTOMER DRAWING

REVISIONS				
SYM	ECN No.	DESCRIPTION	DATE	APPROVED
AX1		NEW PROPOSAL DRAWING	08/06/2014	Roger Tsai

SCHEMATIC DRAWING TYPE 2



RECOMMENDED PCB LAYOUT COMPONENT SIDE
ALL DIMENSION TOLERANCE ARE ± 0.08 UNLESS OTHERWISE SPECIFIED



TOLERANCE	APPROVALS	DATE	TITLE		Amphenol®	
X. ±0.35	DRAWN Jophy Li	08/06/2014	RJMG222X SERIES 2X2 1000 Base-T SERIES with LED		Amphenol Corporation Amphenol Taiwan Corporation	
X.XX ±0.25	CHECKED Vivian Wen	08/06/2014				
X.XXX ±0.15	APPROVED Roger Tsai	08/06/2014				
ANGULAR ±1°	DWG TYPE CUST DWG	PROJECT CODE GT501	UNIT mm	SIZE A3	PART No. RJMG22213XX6XXR	REV. AX1
UNLESS OTHERWISE SPECIFIED			SCALE NA	SHEET 2 OF 4	DWG No. RJMG22213XX6XXR	



This document is the property of Amphenol Corporation and is delivered on the express condition that it is not to be disclosed, reproduced or used in whole or in part, for manufacture or sale by anyone other than Amphenol Corporation without its prior consent, and that no right is granted to disclose or to use any information in this document.

The marking on this product doesn't contain environmental hazardous materials per Material Specification SS-00259 for Sony GP compliant or per directive 2011/65/EU for RoHS compliant.

CUSTOMER DRAWING

REVISIONS				
SYM	ECN No.	DESCRIPTION	DATE	APPROVED
AX1		NEW PROPOSAL DRAWING	08/06/2014	Roger Tsai

ELECTRICAL SPECIFICATION(@25° C)

LED PERFORMANCE

CONNECTOR PERFORMANCE

PARAMETER	SINGLE COLOUR	BICOLOUR		UNITS
	YELLOW OR GREEN	GREEN	ORANGE	
FORWARD CURRENT IF MAX	30	30		mA
REVERSE CURRENT IR MAX	10	10		uA
REVERSE VOLTAGE VR MAX	-5	-5		V
T OPERATURE TOP	-20~+80	-20~+80		°C
T SOLDERINGTURE TS	260+/-5	260+/-5		°C
POWER DISS. Pd	75	75		mW
INTENSITY IV MIN	28	18	45	MCD
PEAK WAVELENTH	588	574	611	nM
FORWARD VOLTAGE TYP	2.1	2.0	2.0	V
FORWARD VOLTAGE MAX	2.4	2.4	2.4	V

PARAMETER	LIMITS (MAX. OR MIN.)	FREQUENCY RANGE/ TEST CONDITIONS
INSERTION LOSS (RX/TX)	-1.0dB MAX.	0.1-100 MHz
	-1.2dB MAX.	100-125 MHz
RETURN LOSS (RX/TX)	-18dB MIN.	1-30 MHz
	-16dB MIN.	30-60 MHz
	-12dB MIN.	60-80 MHz
	-10dB MIN.	80-100 MHz
CM-CM REJECTION	-30dB MIN.	1MHz-100MHz
CROSSTALK ISOLATION(RX/TX)	-30dB MIN.	1MHz-100MHz
HIPOT (ISOLATION)	1.5kVrms MIN.	60S
OCL	350uH MIN.	100KHz 100mV 8mA
TURN RATIO	1:1±5%	

TOLERANCE	APPROVALS	DATE	TITLE		Amphenol®			
X. X.X X.XX X.XXX ±0.35 ±0.25 ±0.15	DRAWN Jophy Li	08/06/2014	RJMG222X SERIES 2X2 1000 Base-T SERIES with LED		Amphenol Corporation Amphenol Taiwan Corporation			
ANGULAR ±1°	CHECKED Vivian Wen	08/06/2014	APPROVED Roger Tsai		UNIT mm	SIZE A3	PART No. RJMG22213XX6XXR	
UNLESS OTHERWISE SPECIFIED	DWG TYPE CUST DWG	PROJECT CODE GT501			SCALE NA	SHEET 3 OF 4	DWG No. RJMG22213XX6XXR	REV. AX1

This document is the property of Amphenol Corporation and is delivered on the express condition that is not to be disclosed, reproduced or used, in whole or in part, for manufacture or sale by anyone other than Amphenol Corporation without its prior consent, and that no right is granted to disclose or to use any information in this document.

The marking on this product doesn't contain environmental hazardous materials per Material Specification SS-00259 for Sony GP compliant or per directive 2011/65/EU for RoHS compliant.



CUSTOMER DRAWING

REVISIONS				
SYM	ECN No.	DESCRIPTION	DATE	APPROVED
AX1		NEW PROPOSAL DRAWING	08/06/2014	Roger Tsai

RJMG22213 X X 6 X X R

RIGHT LED CODE

LEFT LED CODE

- 0: No LED's Blocked Hole
- 1: Green
- 2: Yellow
- 3: Red
- 4: Bi-color Green/ Yellow
- 5: Bi-color Red/Green
- 6: Bi-color Green/Orange
- 7: Bi-color Red/Yellow

Special Variations and *Codes

- A: A electrical specifications
- L: Lead-Cadmium Free Compliant;
- R: RoHS Compliant;

Plating and Packaging:

- C: gold flash, Stainless steel shield, tray
- D: gold 15 μ ", Stainless steel shield, tray
- E: gold 30 μ ", Stainless steel shield, tray
- F: gold 50 μ ", Stainless steel shield, tray

MATERIALS:

1. Terminal Parts:
 - 1.1. RJ Output Terminal : Phosphor Bronze, Thickness=0.30mm
Finish: Selective gold plating
 - 1.2. RJ input Terminal : Brass, Thickness=0.35mm
Finish: 100 μ " min. tin over 50~100 μ " Nickel.
2. Plastic Parts:
 - Thermoplastic, Black, UL94V-0.
3. Shell Parts:
 - Shell : Stainless, Thickness=0.20mm,

THE "H" FOR LED&DATE PIN LENGTH OPTION

- L: H=2.54mm
- M: H=3.05mm
- N: H=3.18mm
- P: H=3.81mm
- Q: H=4.10mm

OTHERS:

1. Operating Temperature : 0°C TO +70°C
2. Storage Temperature : -40°C TO +85°C
3. JACK CAVITY CONFORMS TO FCC RULES AND REGULATIONS PART 68 , SUBPART F
Grounding Leg : Pre-soldering

TOLERANCE	APPROVALS	DATE	TITLE		PART No.	
X. X.X X.XX X.XXX	DRAWN Jophy Li	08/06/2014	RJMG222X SERIES 2X2		Amphenol® Amphenol Corporation Amphenol Taiwan Corporation	
±0.35 ±0.25 ±0.15	CHECKED Vivian Wen	08/06/2014	1000 Base-T SERIES		RJMG22213XX6XXR	
ANGULAR ±1°	APPROVED Roger Tsai	08/06/2014	with LED		REV. AX1	
UNLESS OTHERWISE SPECIFIED	DWG TYPE CUST DWG	PROJECT CODE GT501	UNIT mm	SIZE A3	DWG No. RJMG22213XX6XXR	REV. AX1
			SCALE NA	SHEET 4 OF 4		

