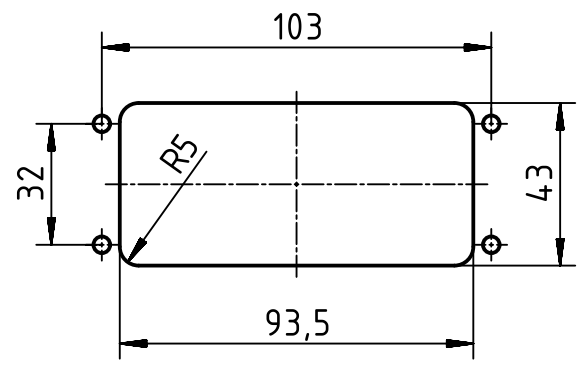
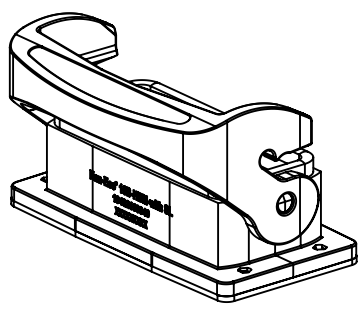
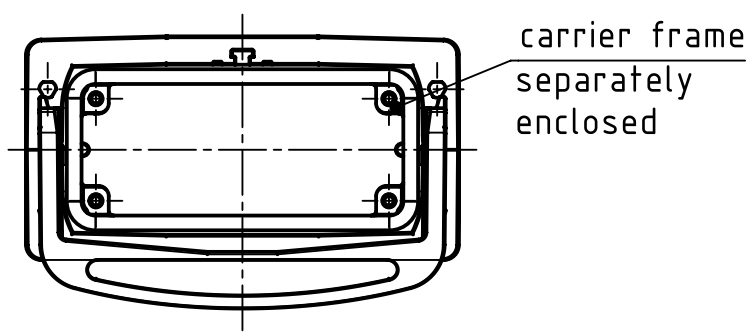


panel cut out
for assembly from
the inner side of cabinet



| | | | | | | | |
|--|----------------------------------------------|-----------------------------------------------------|--------------------------|------------------------|----------------------------|--------------------|------------------------|
| | All rights reserved Department EL PD - DE | All Dimensions in mm Original Size DIN A4 | | | Scale 1:2 | Free size tol. | Ref. Sub. |
| | | HARTING Electric GmbH & Co. KG D-32339 Espelkamp | Created by ROEBEN | Inspected by SCHENK | Standardisation RUETERA | Date 2018-04-09 | State Final Release |
| | | Title Han-Eco 16B-HBM-with SL | | | | Rev. B | |
| | | Type TB | Number 19 43 216 0340 | | | Page 1/1 | |