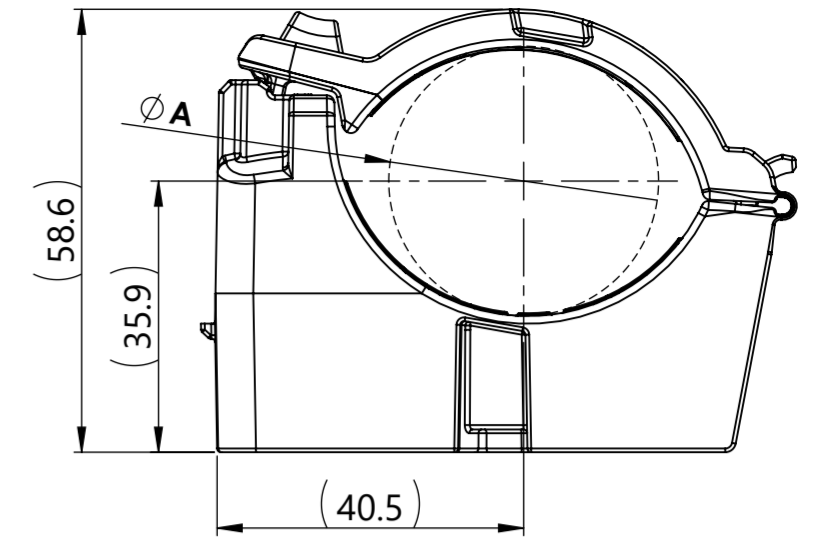
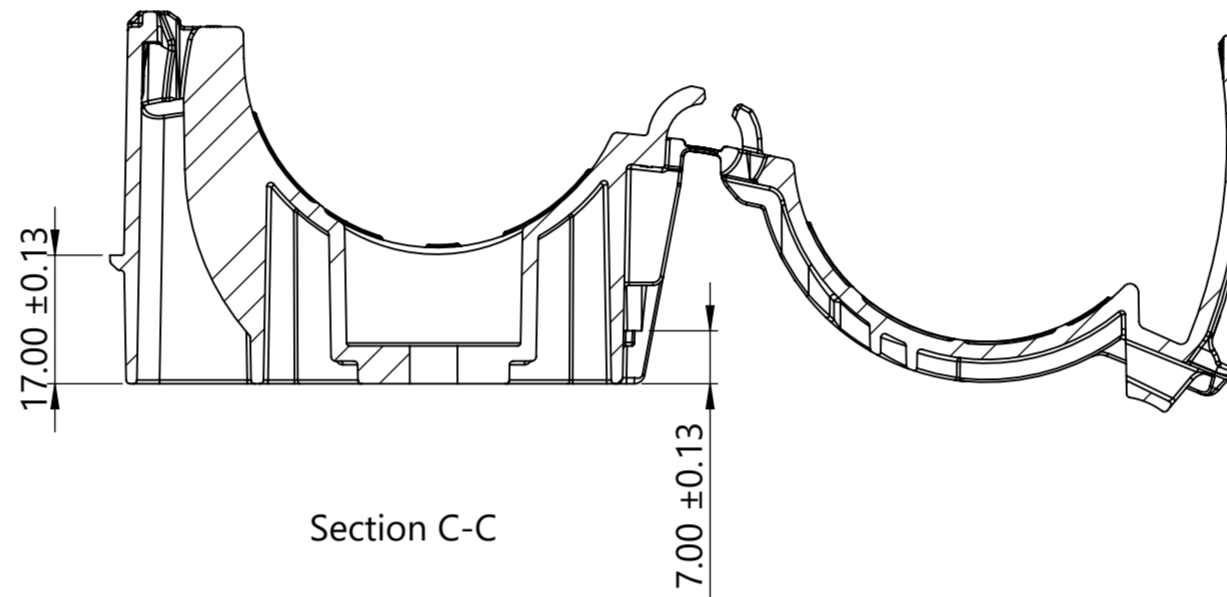
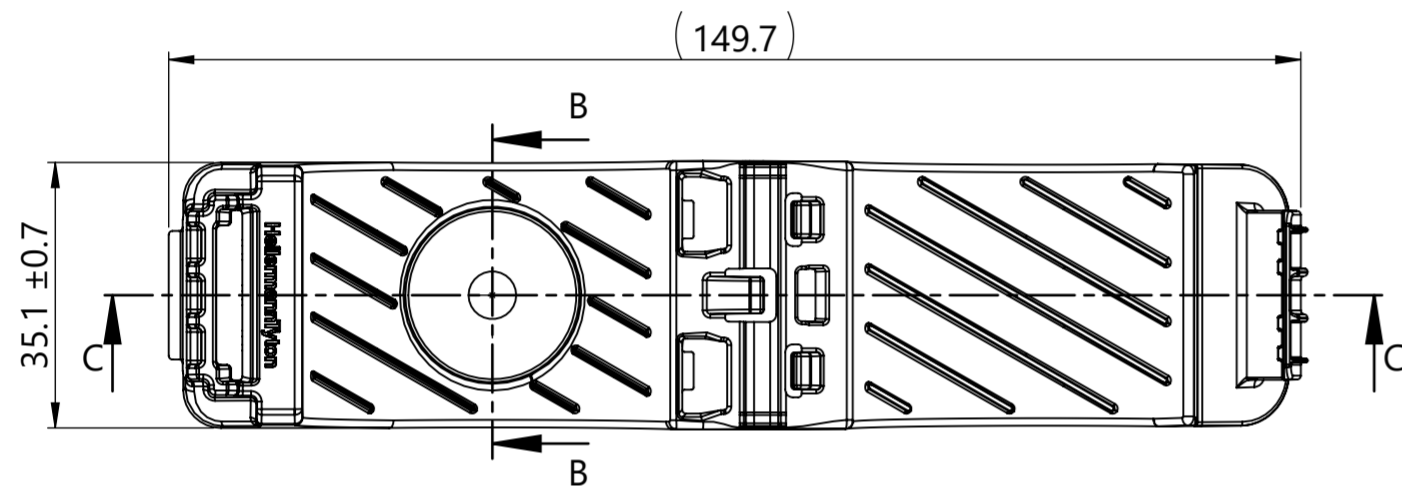


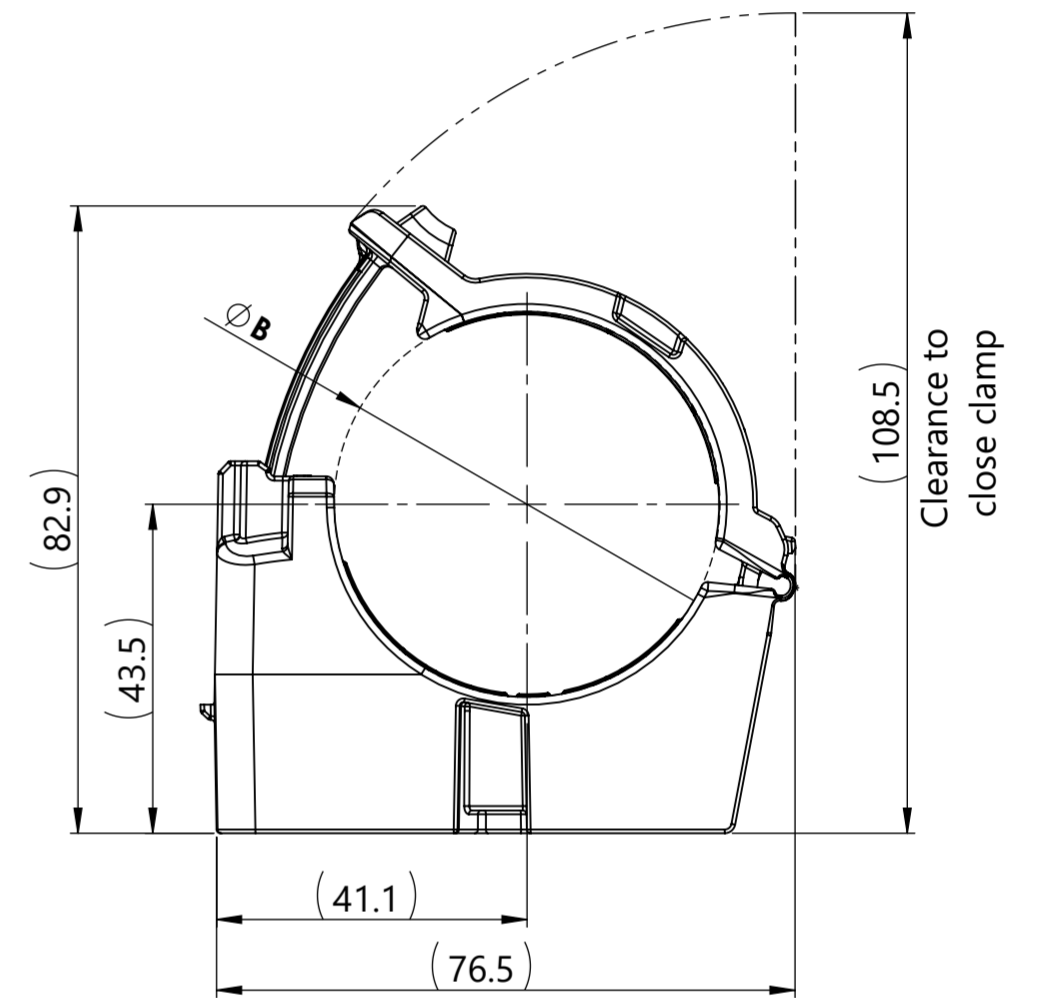
Isometric View  
Product shipped in clamp open position



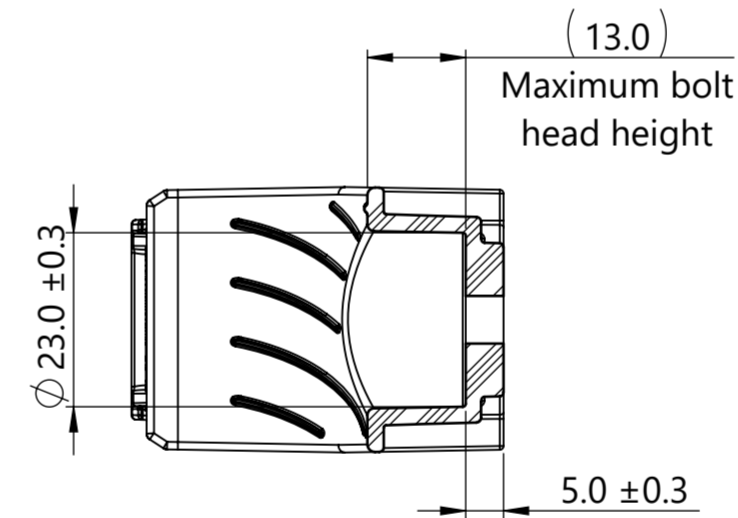
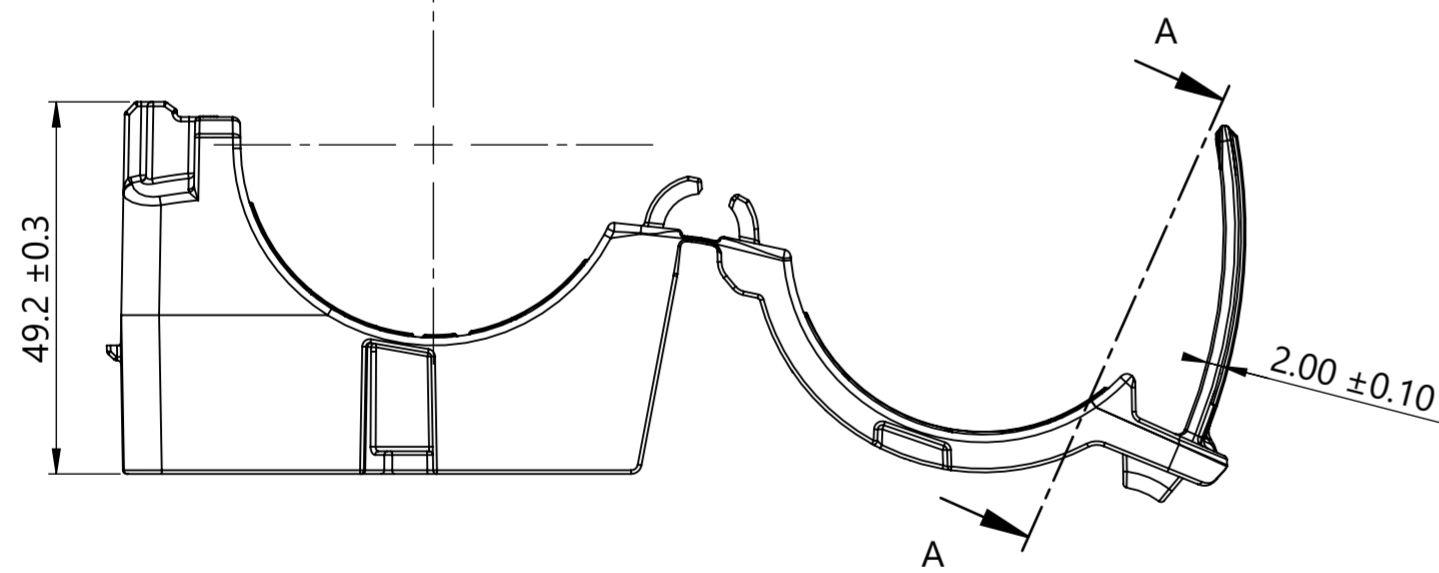
Minimum Bundle Diameter



Section C-C



Maximum Bundle Diameter



Section B-B

**Performance requirements:**  
Dry as molded with  $\leq 0.5\%$  moisture content:

- ITS-0001 Ratchet Clamp Split Mandrel Test: 445 newtons [100 lbf] minimum at a nominal bundle diameter of 44.45 [1.750in]

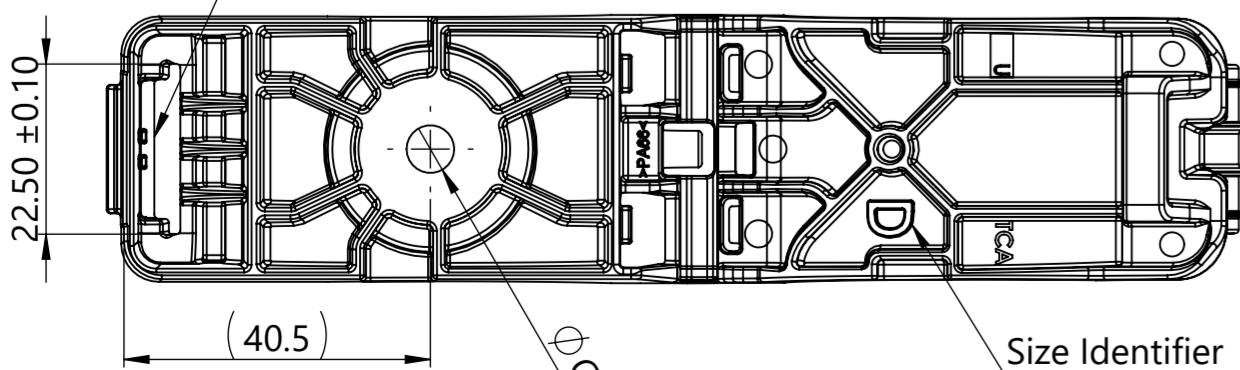
0.10 Maximum flash or mismatch allowed around perimeter of strap

Saddle opening accommodates Straps up to 13.2 wide and 2.1 thick

Notes:

- Material: See chart
- Material color: See chart
- Maximum percent regrind permissible: 25%
- Maximum allowable flash to be: 0.50 "Unless otherwise noted"
- Maximum allowable mismatch to be: 0.15 "Unless otherwise noted"

0.10 Maximum flash or mismatch allowed inside head



Size Identifier

Bundle Types	A Minimum Diameter	B Maximum Diameter
Soft	36.0 $\pm 0.3$	51.0 $\pm 0.3$
Hard	35.2 $\pm 0.3$	49.9 $\pm 0.3$

Global Part Number	Global Part Description	Mounting Hole Size	Torque Specification	$\phi C$	Type Number	Material	Color
21-0228	CMRCDLM6-PA66HIRHSUV-BK	M6	13 N-m [115.06 lb-in]	6.3 $\pm 0.13$	CMRCDLM6	PA66HIRHSUV	Black
21-0231	CMRCDLM8-PA66HIRHSUV-BK	M8	31 N-m [274.37 lb-in]	8.3 $\pm 0.13$	CMRCDLM8	PA66HIRHSUV	Black
21-0233	CMRCDLM10-PA66HIRHSUV-BK	M10	62 N-m [548.75 lb-in]	10.3 $\pm 0.13$	CMRCDLM10	PA66HIRHSUV	Black

Revision level			Revision Record		
Drawing	State	Part	ECN	Date (YYYY/MM/DD)	By
00.0	Design Release	-	ECN 016829	2021/04/28	Spangler
Changed	Date (YYYY/MM/DD)				
Spangler	2022/01/18				
Approved	Date (YYYY/MM/DD)				
Toll	2022/01/18				

The copyright of this drawing is reserved by HellermannTyton.

All drawing revision are stored in CAD PDM database

Units: mm  
**HellermannTyton**  
www.HellermannTyton.com

CMRCDLM6  
Center Mount RCD Ratchet P-Clamp, Size D, Clamp Range 36.0 to 51.0, Low Torque  
Scale: 1:1  
Global Project Number: 21-0228  
Drawing-No: 21-0228-104-CSU  
Format: A2  
Sheet: 1/1