

MATERIAL NUMBER	# OF COLUMNS	# OF DIFF PAIR	DIM "A" MAX	DIM "B"	PTH \varnothing
76500-*8**	8	32	22.80	13.30	0.46±0.05
76500-*1**	10	40	26.60	17.10	0.46±0.05
76500-*6**	16	64	38.00	28.50	0.46±0.05
76500-*8**	8	32	22.80	13.30	0.39±0.05
76500-*1**	10	40	26.60	17.10	0.39±0.05
76500-*6**	16	64	38.00	28.50	0.39±0.05

76500-****

MODULE TYPE

- 5 = RIGHT GUIDED, LEAD-FREE
- 9 = RIGHT GUIDED, LEAD-FREE W/ ENDWALL

PIN LENGTH (P)

- 4 = 4.90 (0.46 PTH)
- 5 = 5.50 (0.46 PTH)
- 7 = 4.90 (0.39 PTH)
- 8 = 5.50 (0.39 PTH)

OF COLUMNS

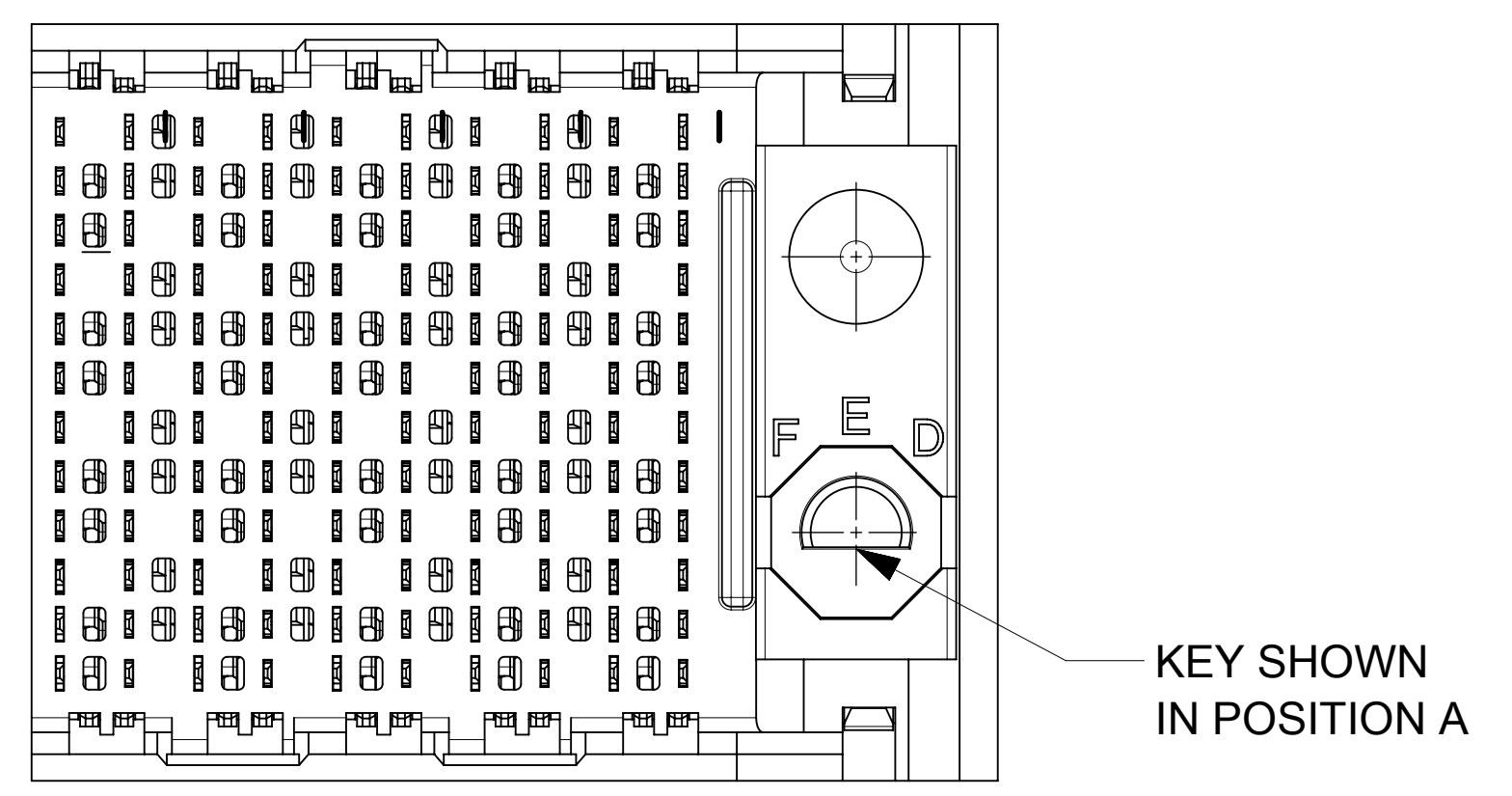
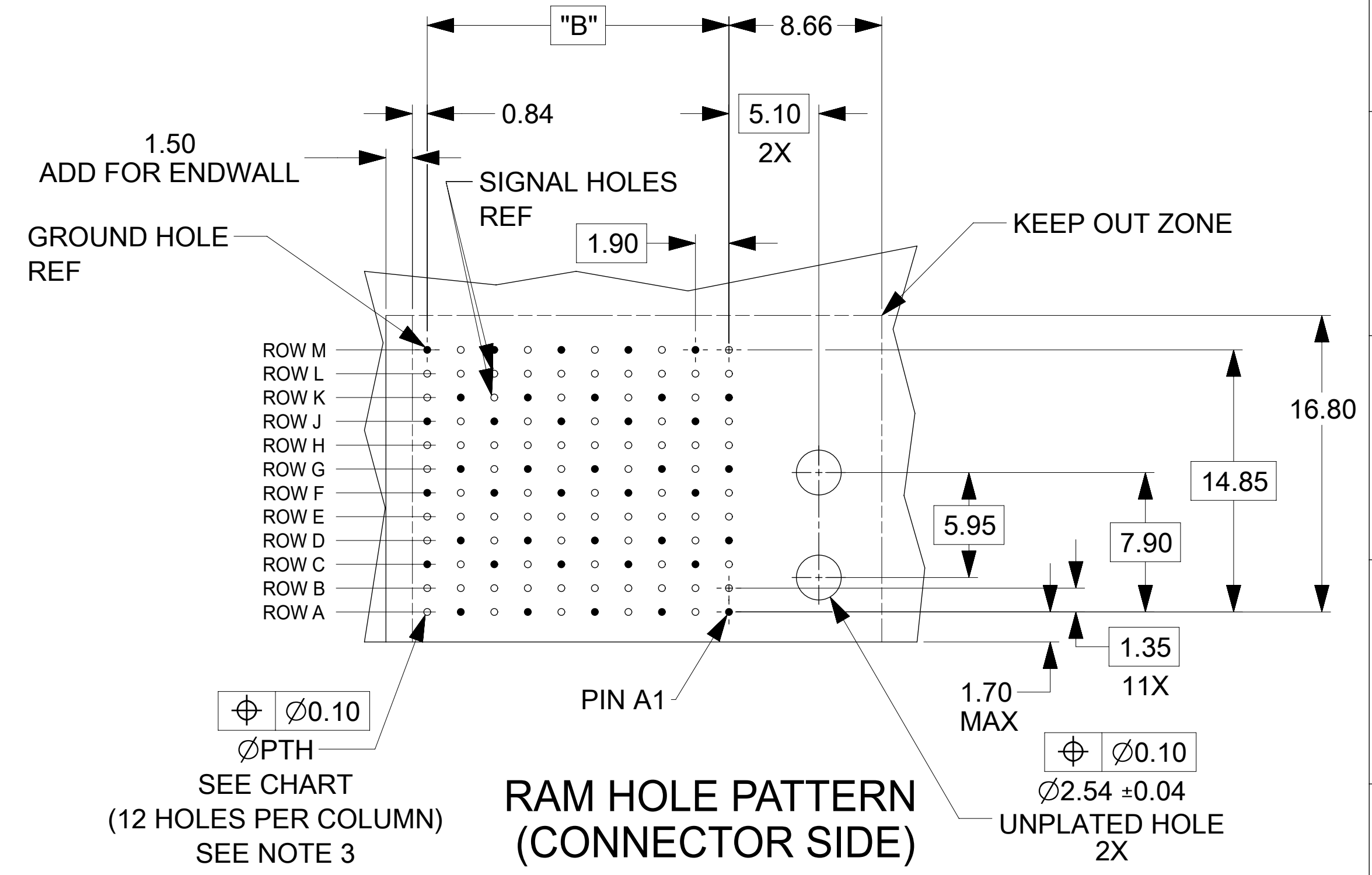
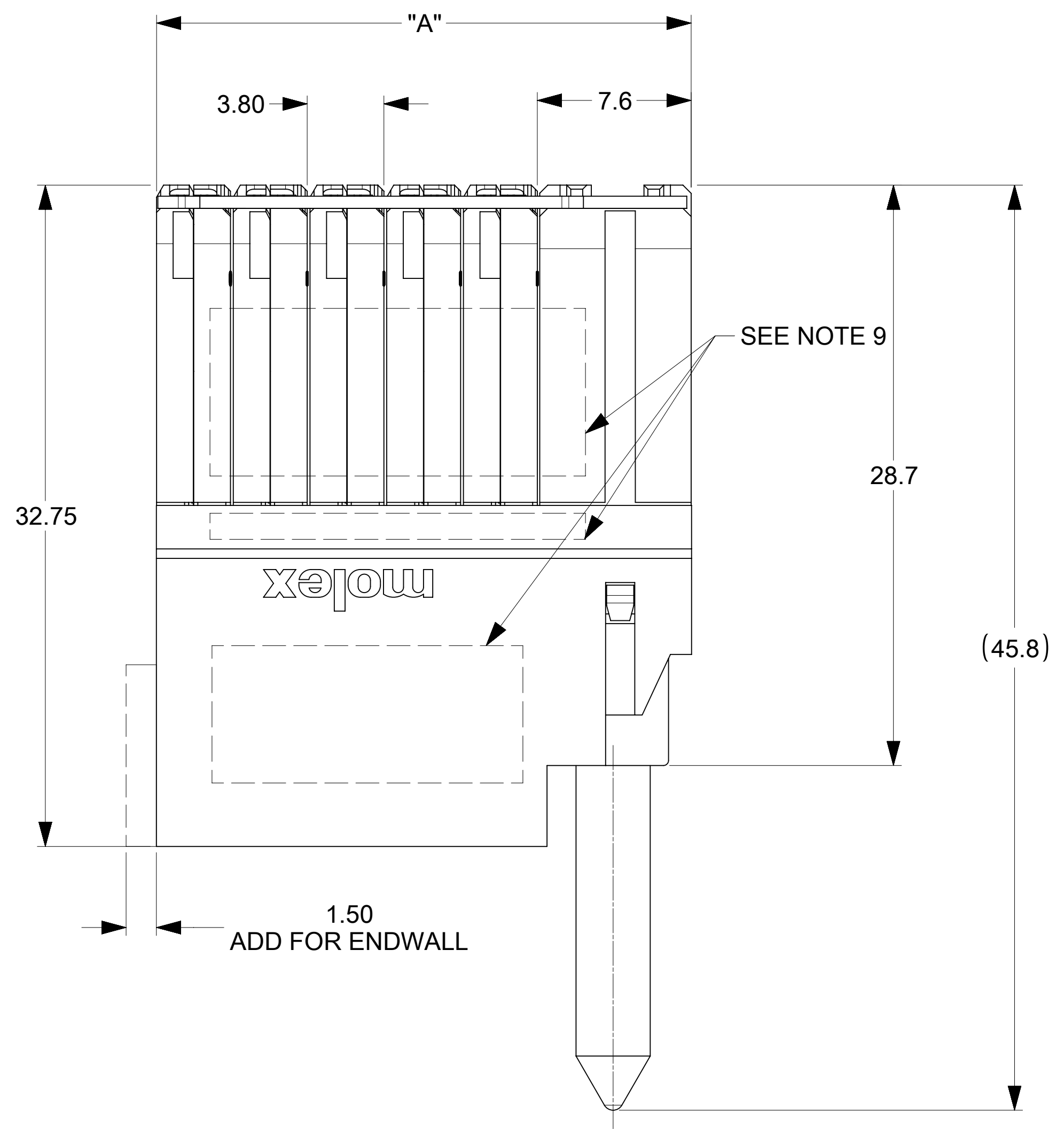
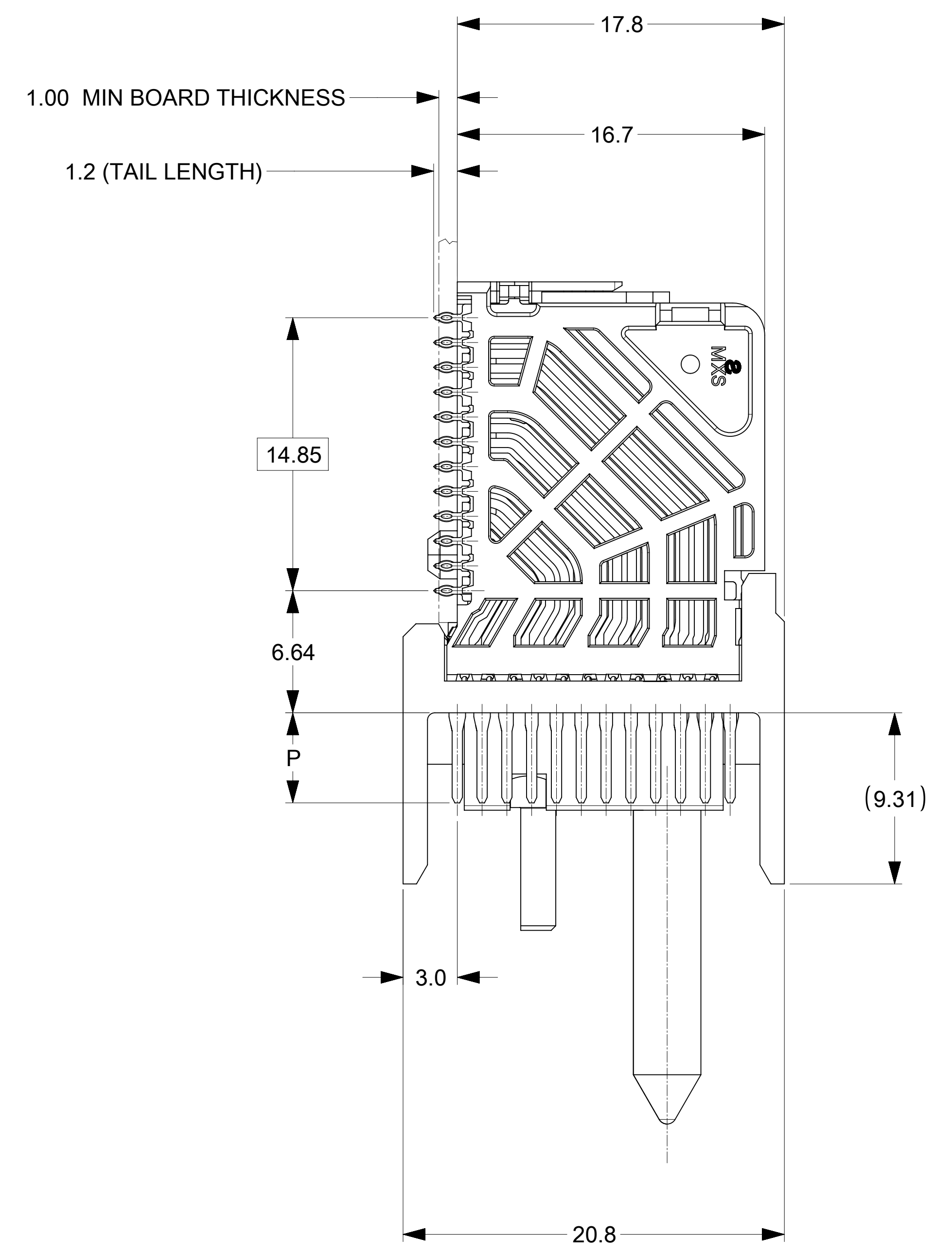
- 1 = 10 COLUMNS
- 6 = 16 COLUMNS
- 8 = 8 COLUMNS

KEY ORIENTATION

- 0 = NO KEY
- 1 = A 5 = E
- 2 = B 6 = F
- 3 = C 7 = G
- 4 = D 8 = H

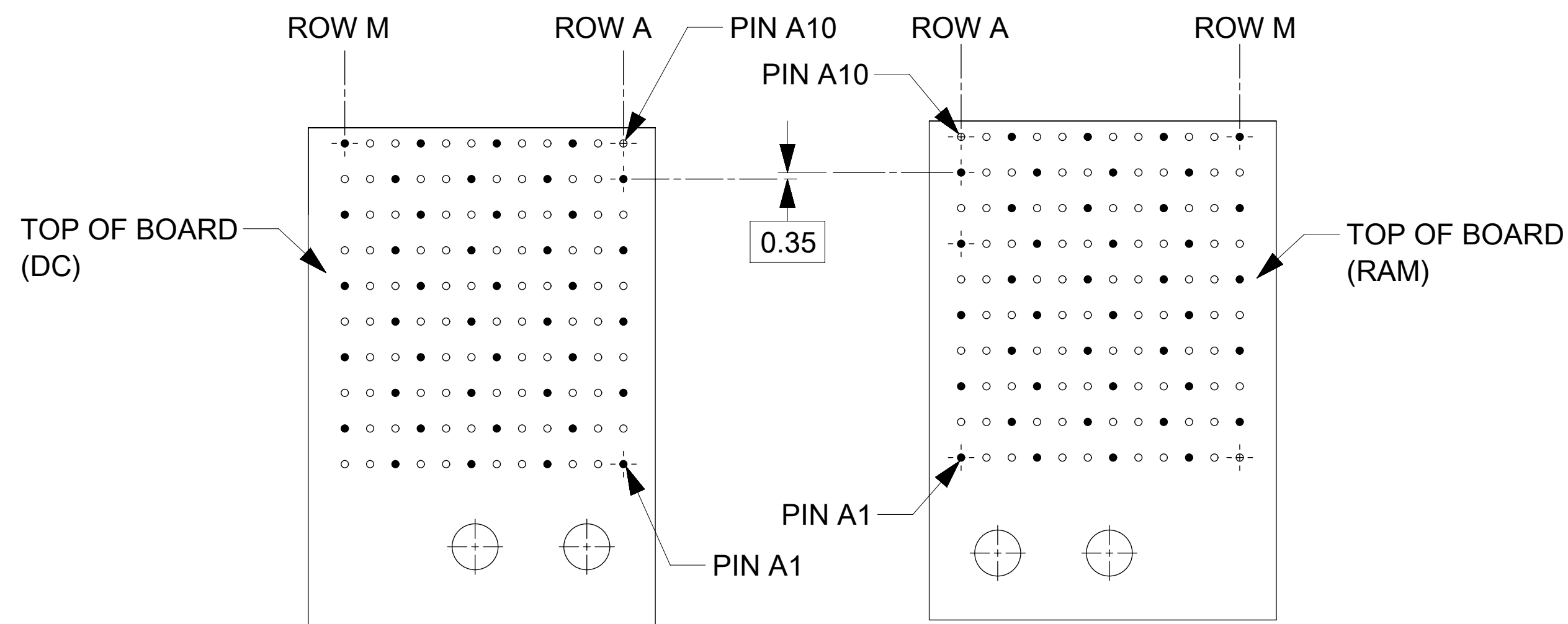
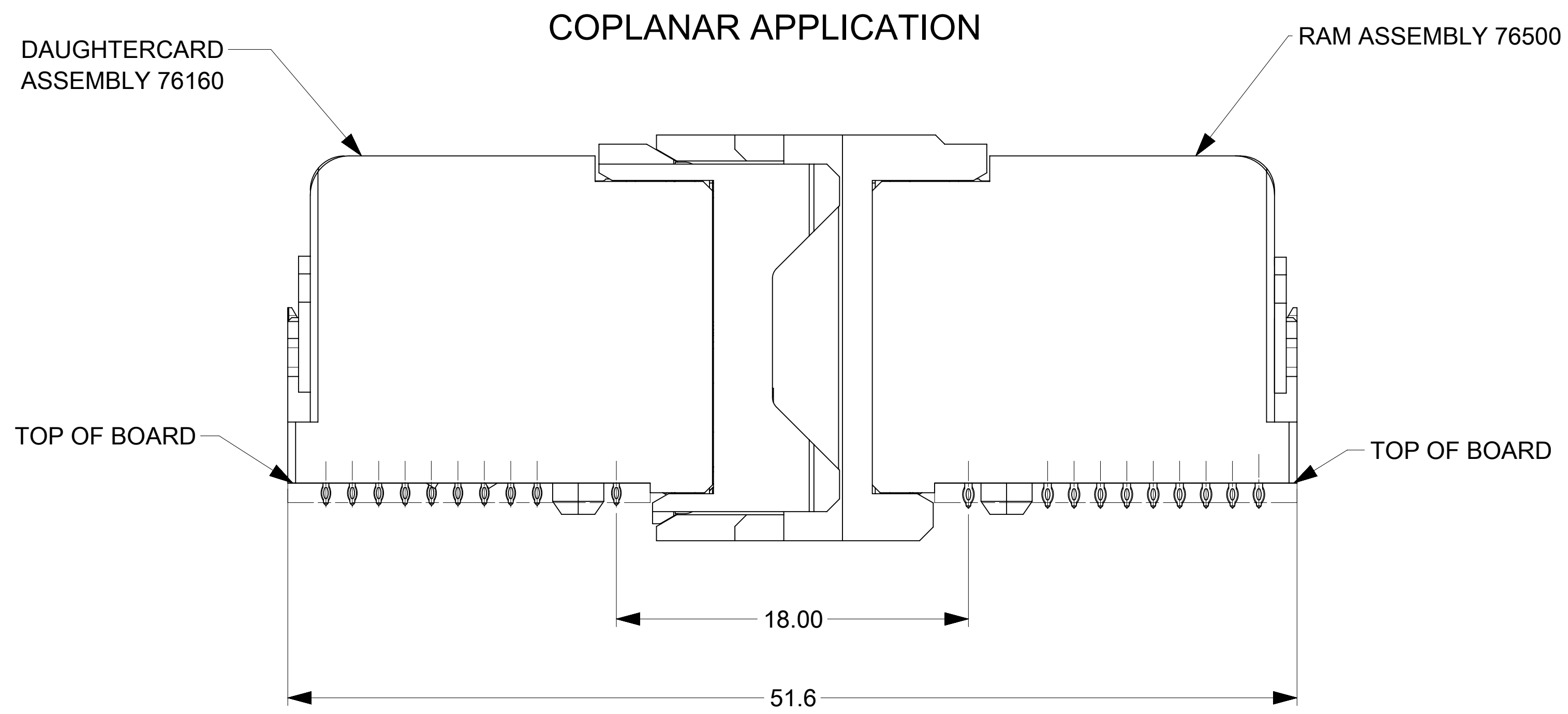
NOTES:

- MATERIALS: HOUSING - LIQUID CRYSTAL POLYMER (LCP), GLASS-FILLED, UL94V-0
TERMINALS - HIGH PERFORMANCE COPPER ALLOY
- FINISH: 30 μ m SELECTIVE GOLD IN CONTACT AREA, SELECTIVE TIN ON PCB TAILS, NICKEL OVERALL.
- REFER TO MOLEX PRODUCT SPECIFICATION PS-76060-999 FOR PERFORMANCE SPECIFICATIONS AND ADDITIONAL PCB INFORMATION.
- EACH SIGNAL WAFER CONTAINS 2 COLUMNS OF TERMINALS.
- PRODUCT IS PACKAGED PER PK-70873-041.
- THIS PART CONFORMS TO CLASS B REQUIREMENTS OF COSMETIC SPEC PS-45499-002.7. REFER TO MOLEX SALES DRAWING SD-76160-002 FOR THE MATING RECEPTACLES.
- REFER TO MOLEX PCB ROUTING GUIDE AS-76060-990 FOR ANTIPAD AND ROUTING RECOMMENDATIONS.
- WHEN USING MOLEX SUPPLIED #2-32 SCREW 73726-0000 (9.50mm ±0.38 THREADABLE SCREW LENGTH), THE MAXIMUM BOARD THICKNESS IS 4.4mm.
- GUIDE RIGHT RAM MATES WITH A GUIDE LEFT DAUGHTERCARD.
- MARKING: LOCATED APPROXIMATELY AS SHOWN. PART NUMBER AND DATE CODE.



THIS DRAWING CONTAINS INFORMATION THAT IS PROPRIETARY TO MOLEX ELECTRONIC TECHNOLOGIES, LLC AND SHOULD NOT BE USED WITHOUT WRITTEN PERMISSION

DIMENSION UNITS: mm	SCALE: NTS	CURRENT REV DESC: REMASTERED TO NX	
GENERAL TOLERANCES (UNLESS SPECIFIED)		EC NO: 705090	
ANGULAR TOL: ± 0.5°	4 PLACES: ±	DRWN: DYARAS	2021/12/13
3 PLACES: ±	2 PLACES: ± 0.13	CHK'D: YOGEEB	2022/02/17
1 PLACE: ± 0.25	0 PLACES: ±	APPR: LZENG	2022/05/13
DRAFT WHERE APPLICABLE MUST REMAIN WITHIN DIMENSIONS		INITIAL REVISION:	
THIRD ANGLE PROJECTION		DRWN: JQUILES	2009/01/12
D-DRAWING		APPR: JLAURX	2009/01/13
SERIES: 76500		DOCUMENT NUMBER: SD-76500-004	
MATERIAL NUMBER: SEE TABLE		DOC TYPE: PSD	DOC PART: 001
CUSTOMER: GENERAL MARKET		REVISION: F4	
SHEET NUMBER: 1 OF 2			



COPLANAR MATED SIGNAL PATHS

DC PIN A10-----RAM PIN A10

|

|

DC PIN A1-----RAM PIN A1

THIS DRAWING CONTAINS INFORMATION THAT IS PROPRIETARY TO MOLEX ELECTRONIC TECHNOLOGIES, LLC AND SHOULD NOT BE USED WITHOUT WRITTEN PERMISSION									
DIMENSION UNITS		SCALE		CURRENT REV DESC: REMASTERED TO NX					
mm		NTS		<p style="text-align: center;">molex</p> <p style="text-align: center;">IMPACT 4 PAIR RAM GUIDE RIGHT SIGNAL MODULE SALES DWG</p> <p style="text-align: center;">PRODUCT CUSTOMER DRAWING</p>					
GENERAL TOLERANCES (UNLESS SPECIFIED)									
ANGULAR TOL		± 0.5°							
4 PLACES		±							
3 PLACES		±							
2 PLACES		± 0.13							
1 PLACE		± 0.25		EC NO: 705090		2021/12/13			
0 PLACES		±		DRWN: DYARAS		2022/02/17			
DRAFT WHERE APPLICABLE		THIRD ANGLE PROJECTION		APPR: LZENG		2022/05/13			
MUST REMAIN WITHIN DIMENSIONS		DRAWING		SERIES		MATERIAL NUMBER		CUSTOMER	
		D-SIZE		76500		SD-76500-004		PSD 001 F4	
				SEE TABLE		GENERAL MARKET		2 OF 2	