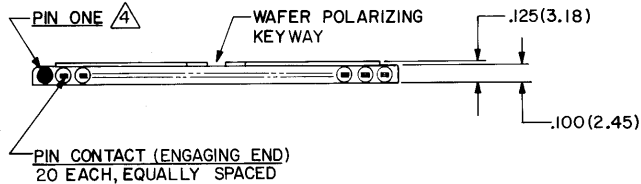
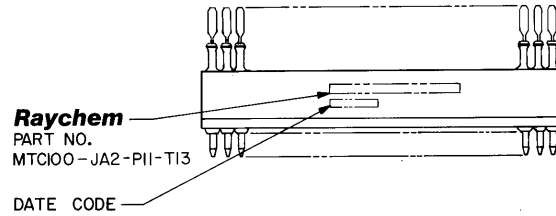
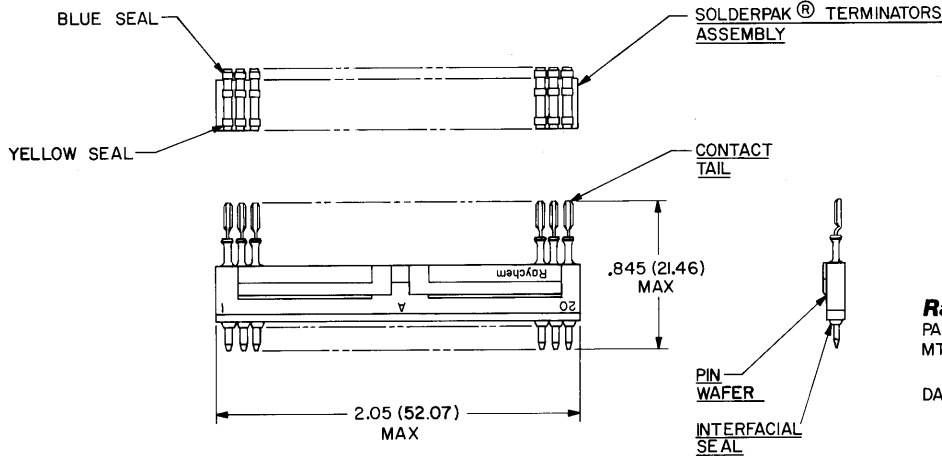


ZONE		LTR		DESCRIPTION	DATE	APPROVED
—	A	CHG'D	PER	DCO # T-02587	W.J. [Signature]	[Signature]



5. WEIGHT (MAX.): 

LBS	GRAMS
.0090	4.08

4. PIN ONE: PIN NUMBER ONE MARKED IN CONTRASTING COLOR ON INTERFACIAL SEAL.

3. WAFER: WAFER MEETS THE REQUIREMENTS OF RAYCHEM SPECIFICATION D-6012.

2. FINISH: 2-A PIN WAFER: FINISH TO BE AS MOLDED.  
 2-B PIN CONTACT; GOLD PLATE PER MIL-G-45204, CLASS I.  
 (ENGAGING END)  
 2-C CONTACT TAIL; COATED WITH SOLDER PER QQ-S-571.

1. MATERIAL: 1-A PIN WAFER; HIGH GRADE POLYARYLENE THERMO-PLASTIC.  
 1-B PIN CONTACT; COPPER ALLOY PER QQ-B-613 OR QQ-C-502.  
 1-C INTERFACIAL SEAL; SILICONE ELASTOMER PER MIL-R-25988.  
 1-D SOLDERPAK® TERMINATORS ASSY; REFER TO RAYCHEM DWG. CTA-0036 FOR DATA.

© Raychem Corporation 1981

### SPECIFICATION CONTROL DRAWING

UNLESS OTHERWISE SPECIFIED DIMENSIONS ARE IN INCHES BRACKETED DIMENSIONS ( ) ARE METRIC AND TOLERANCES ARE:  .XXX: ± .005 (0.13 M.M.) .XX: ± .02 (0.51 M.M.) Δ: ± —	DRAWN	W.V.J.	1-15-81	<b>Raychem</b> <small>RAYCHEM CORPORATION          300 CONSTITUTION DRIVE          MENLO PARK, CALIFORNIA 94025</small> <b>TITLE KIT, 2" PIN WAFER "A" WITH SOLDERPAK® TERMINATORS, FOR ROUND WIRE (20-26 AWG), 125°C TEMPERATURE RATING MTC 100 SERIES</b>
	CHECKED	[Signature]	[Signature]	
	APPROVED	[Signature]	[Signature]	
	APPROVED	[Signature]	[Signature]	
	SIZE	CODE IDENT	DWG. NO.	
	C	NO. 06090	MTC100-JA2-PII-TI3	
		WEIGHT	5	SHEET   OF

**NOTES**

**If this document is printed it becomes uncontrolled.  
 Check with the web for latest revision.**

DO NOT SCALE THIS DRAWING