

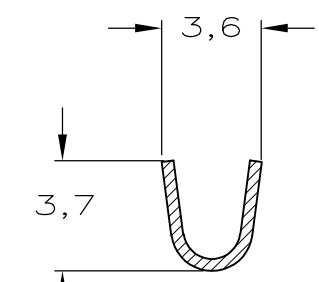
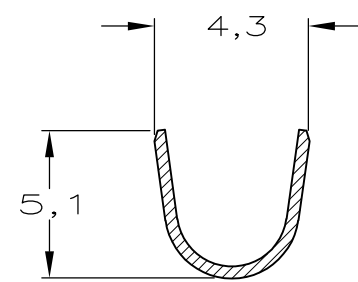
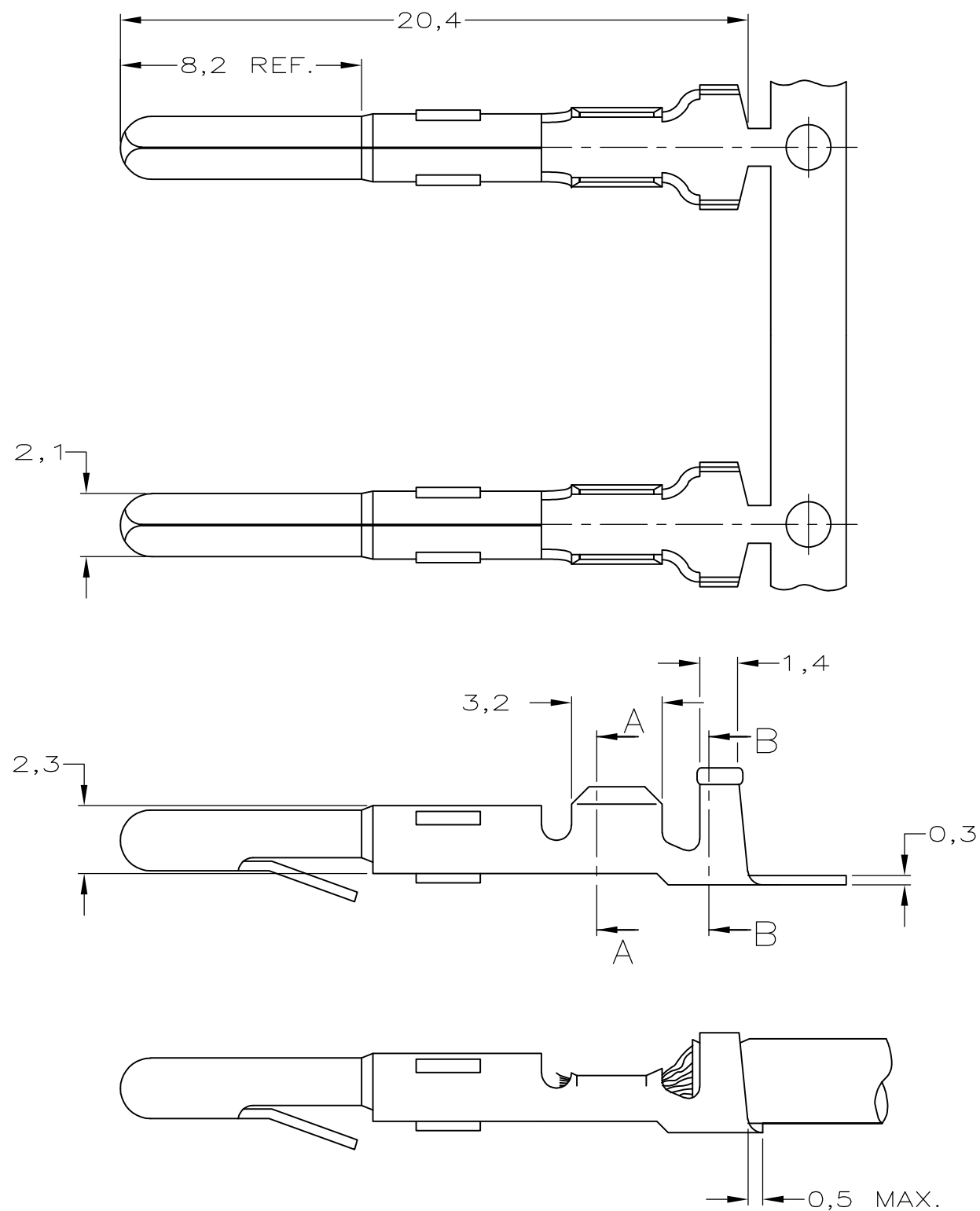
THIS DRAWING IS UNPUBLISHED. RELEASED FOR PUBLICATION

© COPYRIGHT - By - ALL RIGHTS RESERVED.

LOC	DIST	REVISIONS					
		P	LTR	DESCRIPTION	DATE	DWN	APVD
-	-	E		EH-1221-96	24-10-96	JvL	AB
		F		EH-0653-97	05SEP97	D.K.	A.B.
		F1		ECR-10-022530	11JAN11	KK	HMR

NOTES:

- △1 FOR USE ON STANDARD APPLICATORS.(RIGHT-LEFT FEED)
- △2 FOR USE ON MINIATURE APPLICATORS.(LEFT-RIGHT FEED)



WIRE RANGE :  
1,0-2,5mm<sup>2</sup> AWG  
INSULATION RANGE :  
2,6-3,8mm DIA.

	△2	GOLD	BRASS
	△1	GOLD	PHOSPHOR BR.
	△2	PRE-TINPLATED	PHOSPHOR BR.
OBSOLETE	△2	UNPLATED	PHOSPHOR BR.
	△2	PRE-TINPLATED	BRASS
OBSOLETE	△2	UNPLATED	BRASS
	△1	PRE-TINPLATED	PHOSPHOR BR.
	△1	UNPLATED	PHOSPHOR BR.
	△1	PRE-TINPLATED	BRASS
	△1	UNPLATED	BRASS
PLATING		PLATING	MATERIAL
			PARTNUMBER

THIS DRAWING IS A CONTROLLED DOCUMENT.

DWN J.v.LIEMPT 24 OCT 96  
CHK A.BIJNEN.  
APVD M.v.DRIEL

STE TE Connectivity

PIN MATE-N-LOK.

DIMENSIONS: INCHES TOLERANCES UNLESS OTHERWISE SPECIFIED:  
0 PLC ± -  
1 PLC ± -  
2 PLC ± -  
3 PLC ± -  
4 PLC ± -  
ANGLES ± -

MATERIAL - FINISH -

PRODUCT SPEC -  
APPLICATION SPEC -  
WEIGHT -

SIZE A3 CAGE CODE 00779 DRAWING NO C-163303 RESTRICTED TO -

CUSTOMER DRAWING SCALE - SHEET 1 OF 1 REV F1