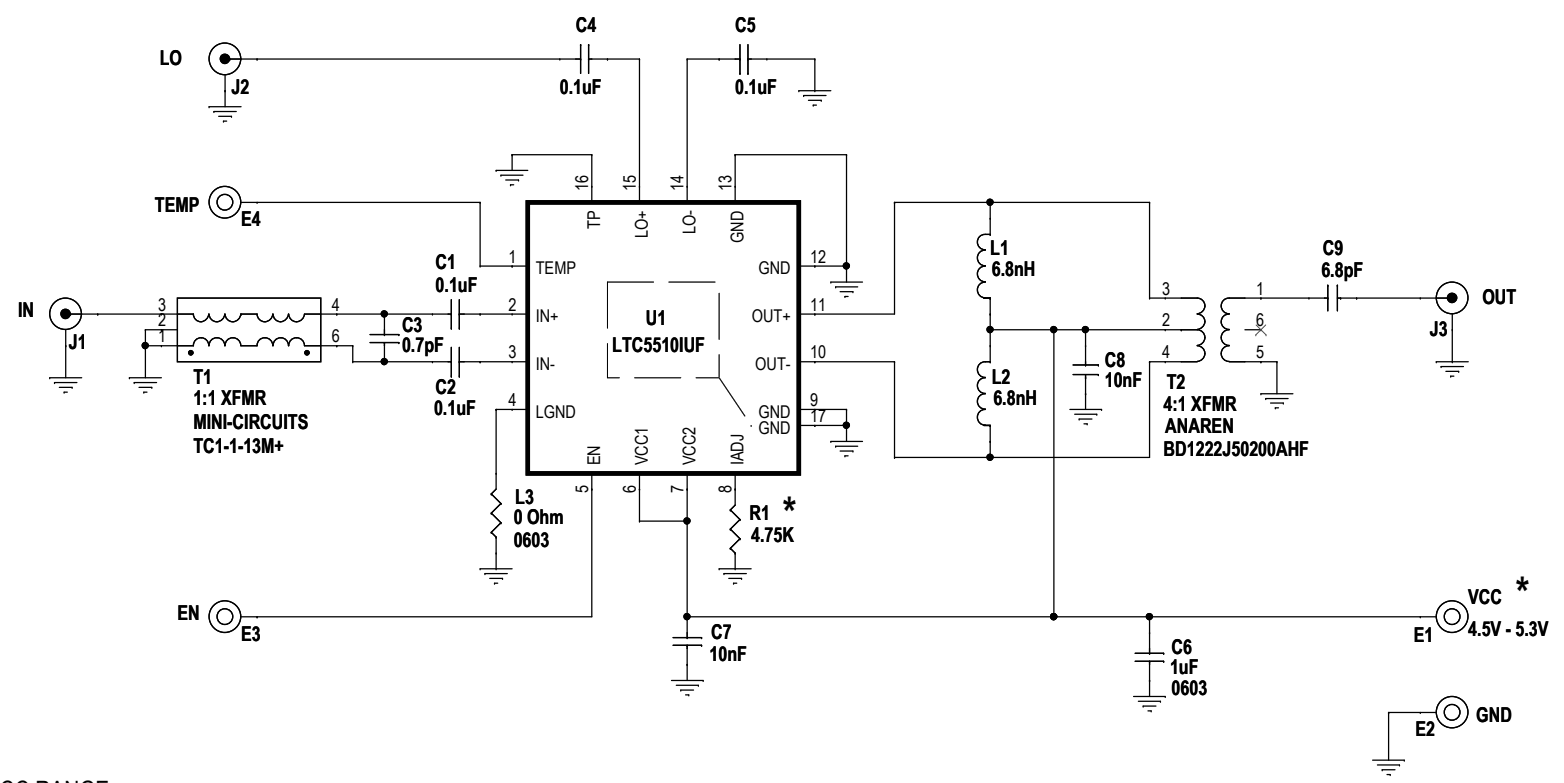


REVISION HISTORY				
ECO	REV	DESCRIPTION	APPROVED	DATE
—	2	PRODUCTION	SUNNY H.	06-28-13



* VCC RANGE

VCC	RANGE	R1
5V (DEFAULT)	4.5V - 5.3V	4.75K
3.3V	3.1V - 3.6V	1.8K

NOTE: UNLESS OTHERWISE SPECIFIED

- ALL COMPONENTS ARE 0402 SIZE

CUSTOMER NOTICE		APPROVALS		LINEAR TECHNOLOGY			
LINEAR TECHNOLOGY HAS MADE A BEST EFFORT TO DESIGN A CIRCUIT THAT MEETS CUSTOMER-SUPPLIED SPECIFICATIONS; HOWEVER, IT REMAINS THE CUSTOMER'S RESPONSIBILITY TO VERIFY PROPER AND RELIABLE OPERATION IN THE ACTUAL APPLICATION. COMPONENT SUBSTITUTION AND PRINTED CIRCUIT BOARD LAYOUT MAY SIGNIFICANTLY AFFECT CIRCUIT PERFORMANCE OR RELIABILITY. CONTACT LINEAR TECHNOLOGY APPLICATIONS ENGINEERING FOR ASSISTANCE.		PCB DES.	A.K.	TITLE: SCHEMATIC WIDEBAND ACTIVE MIXER, HIGH FREQUENCY OUTPUT			
		APP ENG.	SUNNY H.				
		THIS CIRCUIT IS PROPRIETARY TO LINEAR TECHNOLOGY AND SUPPLIED FOR USE WITH LINEAR TECHNOLOGY PARTS.		SIZE	IC NO.	LTC5510IUF	REV.
				N/A	DEMOCIRCUIT 1983A	2	
SCALE = NONE		DATE: Friday, June 28, 2013		SHEET 1 OF 1			

1630 McCarthy Blvd.
 Milpitas, CA 95035
 Phone: (408)432-1900 www.linear.com
 Fax: (408)434-0507
 LTC Confidential-For Customer Use Only