

NOTES:

1.MATERIAL:

HOUSING: THERMAL PLASTIC, GLASS FILLED, UL94V-0, COLOR: BLACK;
 COVER: THERMAL PLASTIC, COLOR: BLACK;
 TERMINAL: COPPER ALLOY.

2.TERMINAL:

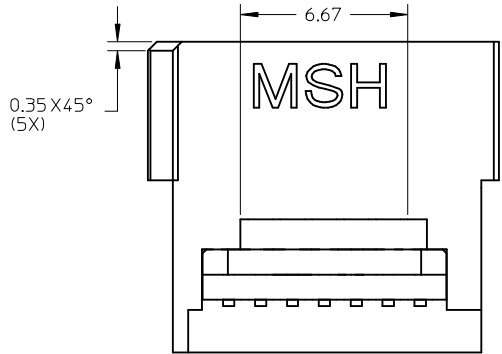
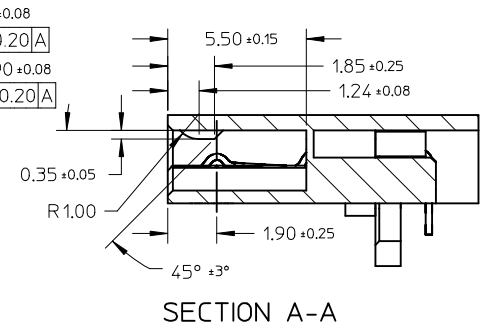
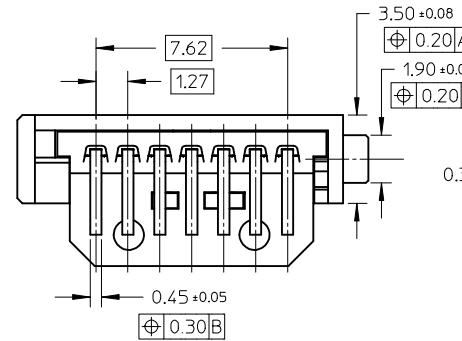
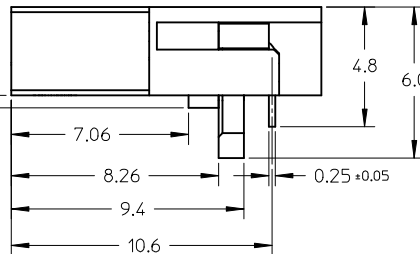
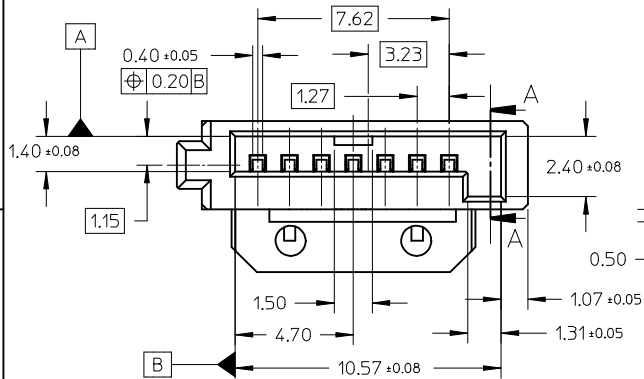
CONTACT AREA: GOLD PLATED;
 SOLDER TAIL: TIN, THICKNESS=1.27 MICRONS MINIMUM;
 UNDER PLATE: NICKEL, THICKNESS=1.27 MICRONS MINIMUM.

3.PACKAGING: TRAY. REFER TO PK-67489-001.

4.PRODUCT SPECIFICATION REFER TO PS-67490-00*.

5.MATING PART 67490,67491,67811,47080 SERIES.

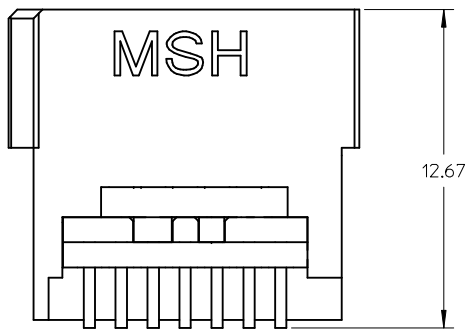
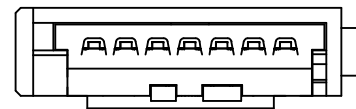
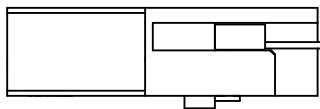
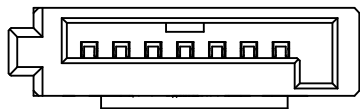
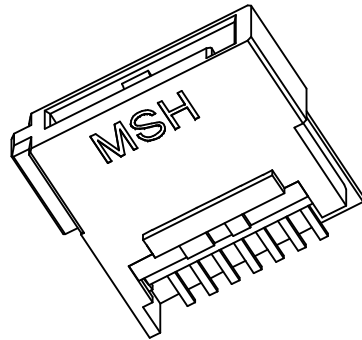
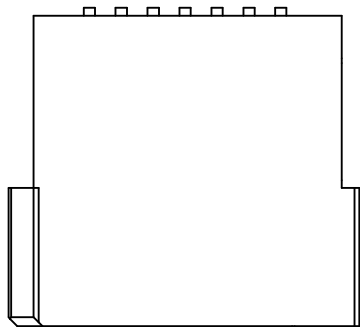
6.PRODUCT COMPLIANT TO RoHS DIRECTIVE 2002/95/EC AND ELV DIRECTIVE 2000/53/EC.



P/N	COMMENTS
67489-1001	GOLD FLASH
67489-1002	GOLD PLATED 0.76 MICRONS
67489-1005	GOLD PLATED 0.38 MICRONS
67489-1081	GOLD FLASH & HALOGEN FREE

NO CHANGE EC NO: SH2009-0563 DRWN:XQZHANG 2009/02/25 CHKD:XJSONG 2009/02/25 APPR:HWANG 2009/04/08	QUALITY SYMBOLS ▽=0 ▽=0	GENERAL TOLERANCES (UNLESS SPECIFIED)		DIMENSION STYLE MM ONLY		SCALE 1:1	DESIGN UNITS METRIC	THIRD ANGLE PROJECTION		
			mm	INCH	DRAWN BY	DATE	TITLE			
		4 PLACES	± ---	± ---	GRATE MA	2004/03/25	SERIAL ATA RECEPTACLE SIGNAL CABLE CONNECTOR WITHOUT METAL LATCH			
		3 PLACES	± ---	± ---	CHECKED BY	DATE				
2 PLACES	± 0.2	± ---	YA JUN	2004/03/25	MOLEX INCORPORATED					
1 PLACE	± 0.3	± ---	APPROVED BY	DATE						
ANGULAR ± 1 °		DRAFT WHERE APPLICABLE MUST REMAIN WITHIN DIMENSIONS		SEE TABLE		DOCUMENT NO.		SHEET NO.		
				MATERIAL NO.		SD-67489-003		1 OF 2		
				SIZE A3		THIS DRAWING CONTAINS INFORMATION THAT IS PROPRIETARY TO MOLEX INCORPORATED AND SHOULD NOT BE USED WITHOUT WRITTEN PERMISSION				

10 9 8 7 6 5 4 3 2 1



THESE ARE ONLY FOR 67489-80**, OTHERS INFORMATION ARE REFERED TO 67489-1001.

P/N	PLATING TYPE	REMARK
67489-8001	GOLD FLASH	
67489-8002	GOLD PLATED 0.76 MICRONS	WITH HALOGEN
67489-8005	GOLD PLATED 0.38 MICRONS	
67489-8081	GOLD FLASH	
67489-8082	GOLD PLATED 0.76 MICRONS	HALOGEN FREE
67489-8085	GOLD PLATED 0.38 MICRONS	

ADD PART NUMBER EC NO: SH2009-0563 DRWN: XQZHANG 2009/02/25 CHKD: XJSONG 2009/02/25 APPR: HWANG 2009/04/08	DESCRIPTION REV	QUALITY SYMBOLS	GENERAL TOLERANCES (UNLESS SPECIFIED)	DIMENSION STYLE	SCALE	DESIGN UNITS	THIRD ANGLE PROJECTION
		▼=0 □=0	mm INCH 4 PLACES ± --- ± --- 3 PLACES ± --- ± --- 2 PLACES ± 0.2 ± --- 1 PLACE ± 0.3 ± --- ANGULAR ± 1 °	MM ONLY	1:1	METRIC	☉ □ THIRD ANGLE PROJECTION
		DRAFT WHERE APPLICABLE MUST REMAIN WITHIN DIMENSIONS	DRAWN BY DATE GRATE MA 2004/03/25 CHECKED BY DATE YAJUN 2004/03/25 APPROVED BY DATE SAM 2004/03/25	TITLE	SERIAL ATA RECEPTACLE SIGNAL CABLE CONNECTOR WITHOUT METAL LATCH		
		MATERIAL NO. SEE TABLE	DOCUMENT NO. MOLEX INCORPORATED SD-67489-003	SHEET NO. 2 OF 2			

9 8 7 6 5 4 3 2 1