

## DETAILS

|                        |                        |
|------------------------|------------------------|
| <b>Product Number</b>  | 2F11898_STRADA-T-DW-EP |
| <b>Family</b>          | Strada                 |
| <b>Type</b>            | Lens                   |
| <b>Color</b>           | clear                  |
| <b>Diameter</b>        | 19,6 x 15,5 mm         |
| <b>Height</b>          | 10,7 mm                |
| <b>Style</b>           | rectang                |
| <b>Optic Material</b>  | PMMA                   |
| <b>Holder Material</b> |                        |
| <b>Fastening</b>       | glue, screw            |
| <b>Status</b>          | production ready       |
| <b>ROHS Compliant</b>  | Yes                    |
| <b>Date Updated</b>    | 27/09/2016             |



## OPTICAL PROPERTIES

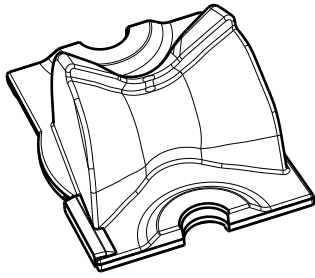
| LED             | Viewing Angle  | Light Beam    | Efficiency | cd/lm | Connector |
|-----------------|----------------|---------------|------------|-------|-----------|
| XP-E            | Asymmetric deg | Streetligh... | 92 %       | -     | -         |
| XP-G            | Asymmetric deg | Streetligh... | 92 %       | -     | -         |
| LUXEON Rebel    | Asymmetric deg | Streetligh... | 92 %       | -     | -         |
| LUXEON Rebel ES | Asymmetric deg | Streetligh... | 92 %       | -     | -         |
| LUXEON A        | Asymmetric deg | Streetligh... | 92 %       | -     | -         |
| NCSxx19A        | Asymmetric deg | Streetligh... | 92 %       | -     | -         |
| NVSxx19A        | Asymmetric deg | Streetligh... | 92 %       | -     | -         |
| Oslon SSL 80    | Asymmetric deg | Streetligh... | 92 %       | -     | -         |
| Oslon SSL 150   | Asymmetric deg | Streetligh... | 92 %       | -     | -         |

D

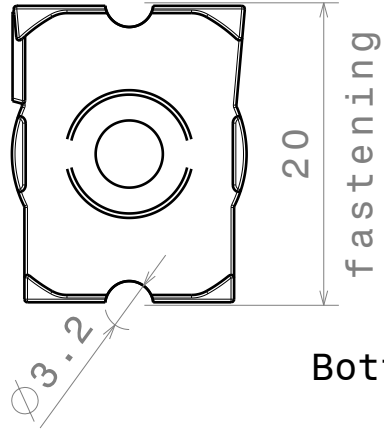
C

B

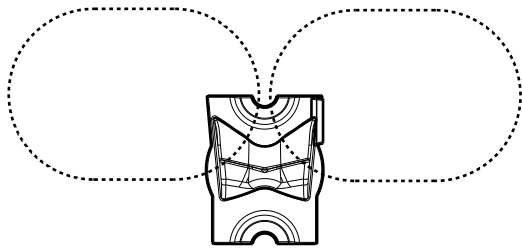
A



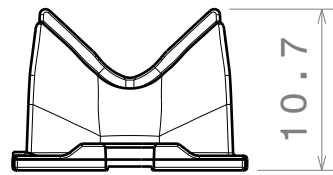
Isometric view



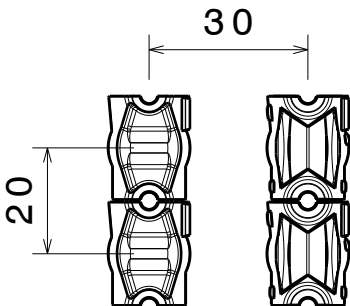
Bottom view



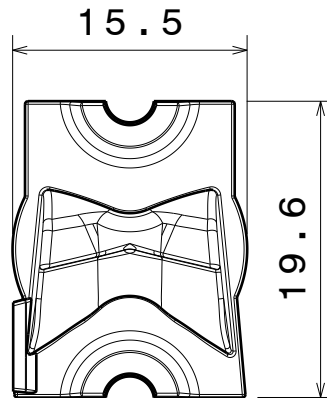
Beam direction



Front view



Strada lens arrangement recommendation



Top view

MATERIALS  
 Lens: PMMA  
 Tape(optional): PU Foam

Part no. with tape fastening: CA11993\_Strada-T-DW

This drawing is our property.  
 It can't be reproduced  
 or communicated without  
 our written agreement.



Ledil Oy  
 Tehdaskatu 13  
 FIN-24100 SALO  
 Finland

DRAWING TITLE

Datasheet Strada-T-DW-EP Lens

DRAWN BY

pv

DATE

5.9.2011

CHECKED BY

j1

DATE

5.9.2011

SIZE

A4

DRAWING NUMBER

C11898

REV

1

DESIGNED BY

hh

DATE

17.05.2010

SCALE

2:1

WEIGHT (g)

SHEET

1/1

D

A

4

4

3

3

2

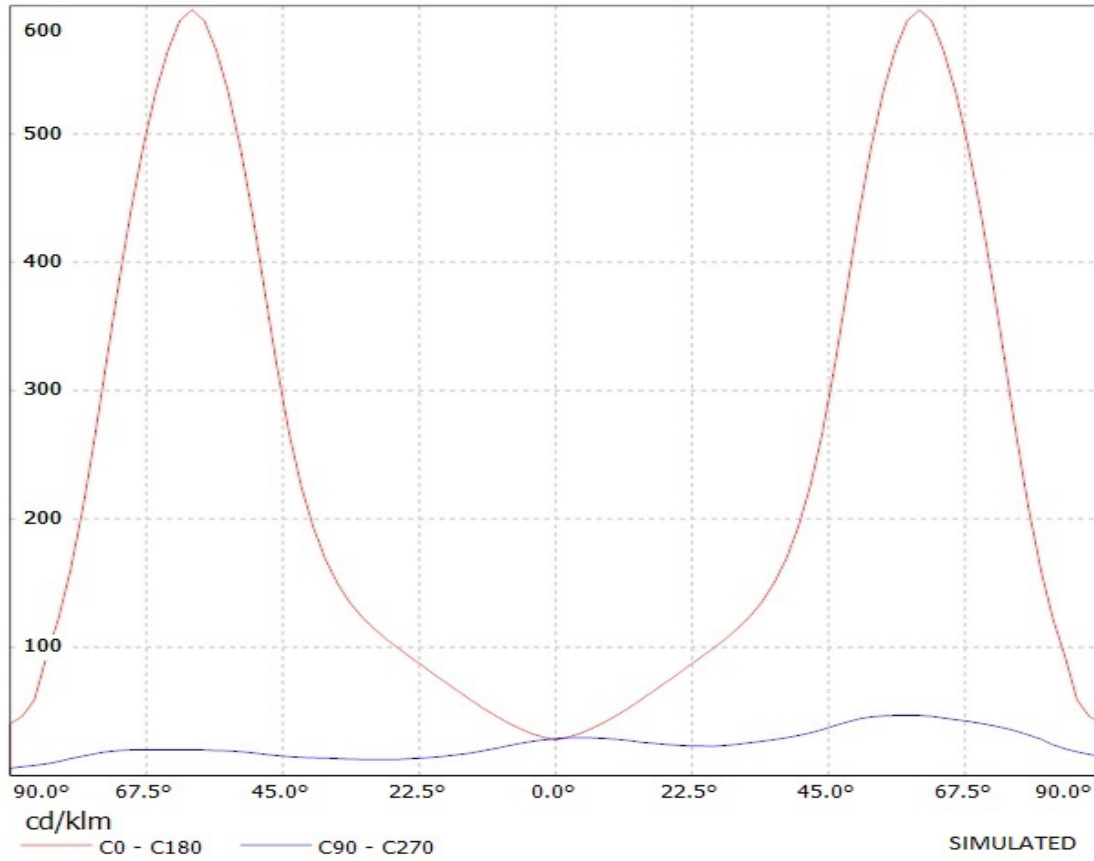
2

1

1

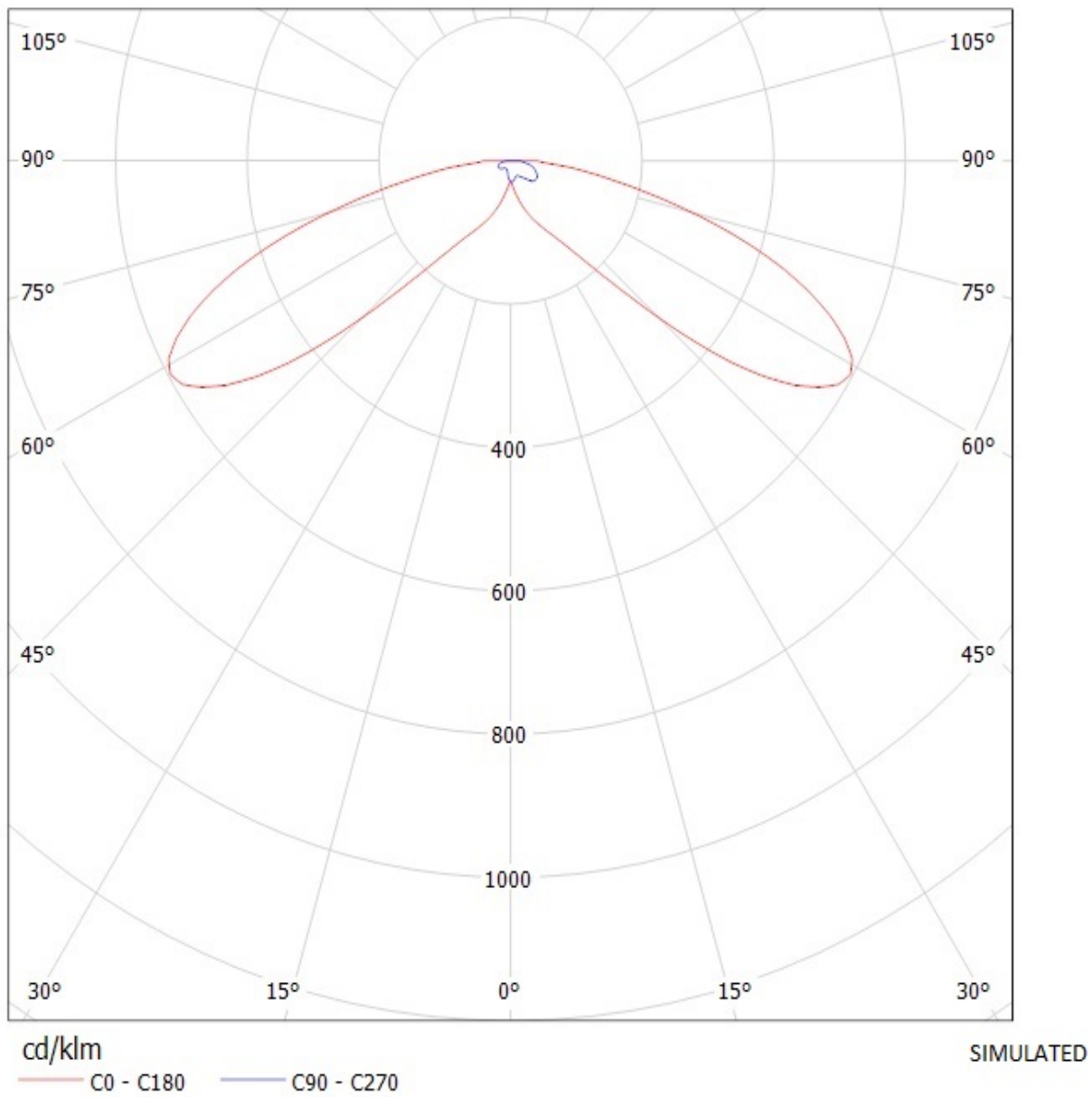
# Ledil Oy C11425\_Strada-T-DW-XP C11425\_Strada-T-DW-XP / LDC (Linear)

Luminaire: Ledil Oy C11425\_Strada-T-DW-XP C11425\_Strada-T-DW-XP  
Lamps: 1 x Cree XP-E (White)



# Ledil Oy C11425\_Strada-T-DW-XP C11425\_Strada-T-DW-XP / LDC (Polar)

Luminaire: Ledil Oy C11425\_Strada-T-DW-XP C11425\_Strada-T-DW-XP  
Lamps: 1 x Cree XP-E (White)



**NOTE: The typical divergence will be changed by different color, chip size and chip position tolerance. The typical total divergence is the full angle measured where the luminous intensity is half of the peak value.**