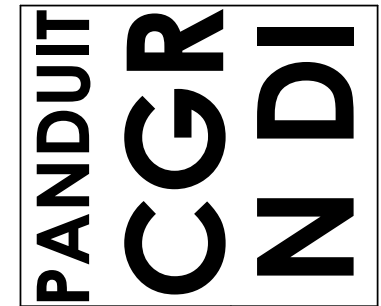


THIS COPY IS PROVIDED ON A RESTRICTED BASIS AND IS NOT TO BE USED IN ANY WAY DETRIMENTAL TO THE INTERESTS OF PANDUIT CORP.

Material	High Conductivity Seamless Copper Tube
Plating	Electro-Tin
Wire Type	Stranded Copper; Class B: Compact, Compressed or Concentric, Class C: Concentric
Wire Strip Length	11/16 in.
UL Listed Wire Connector	Yes, for applications up to 35kv. Consult cable manufacturer for voltage stress relief instructions with applications greater than 2000 volts.
UL Temperature Rating	90° C
C.S.A Certified Wire Connector	Yes
Panduit Color Code on Barrel	GREEN
Panduit Die Index No. on Barrel	P37

WIRE SIZE/COMBINATIONS		
(3) # 8 str w/ (2) #12 str	(3) # 8 str w/ (3) #10 str	(1) # 1 str w/ (1) #12 str
(1) #4 str w/ (1) #6 str	(5) #8 str	(1) #4 str w/ (3) #8 str
(2) #6 str w/ (1) #8 str	(1) # 2 str w/ (1) #8 str	(3) #6 str w/ (2) #12 str
(3) # 8 str w/ (3) #12 str	(2) #6 str w/ (3) #10 str	(1) # 2 str w/ (1) #6 str
(1) #4 str w/ (2) #8 str	(3) #6 str w/ (1) #12 str	(3) #6 str w/ (1) #8 str
(1) #6 str w/ (3) #8 str	(1) # 2 str w/ (3) #12 str	(1) # 1 str w/ (2) #12 str
(1) # 2 str w/ (1) #10 str	(1) # 2 str w/ (2) #10 str	(1) # 2 str w/ (3) #10 str
(3) #6 str	(3) #6 str w/ (1) #10 str	



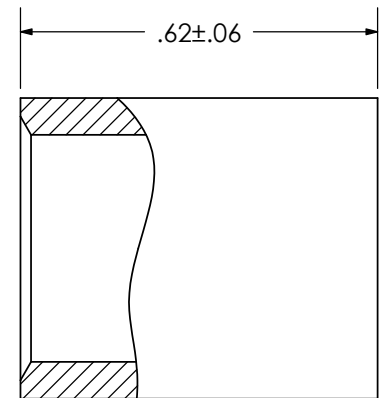
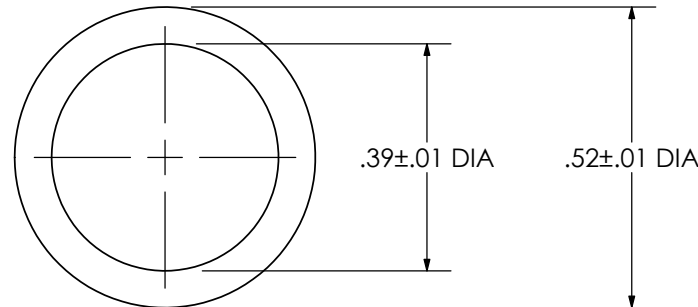
Color coded barrel markings



CERTIFIED



LISTED Wire Connector



REV	DATE	BY	CHK	DESCRIPTION	ECN
01	4/07	JHNU	TLCO	REVISED BARREL MARKING	PC00728

PANDUIT CORP. TINLEY PARK, ILLINOIS

PSCGRN-L
Parallel Splice

SCALE N/A DRAWING NO / CAD FILE PSCGRN-CUST